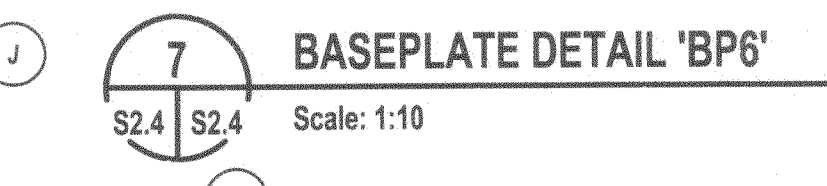


GIRT SCHEDULE		
MARK	DESCRIPTION	NOTES
G1	HSS 178x127x6.4	T.O. GIRT ELEV. 104700
G2	HSS 178x127x4.8	T.O. GIRT ELEV. 104700
G3	HSS 127x127x6.4	T.O. GIRT ELEV. 103823

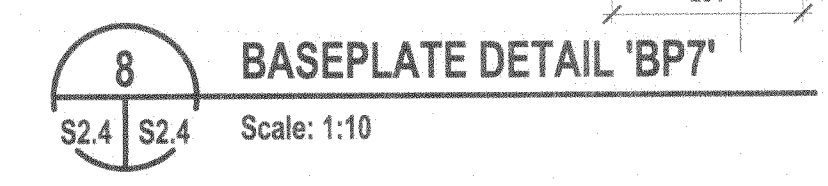
  

COLUMN SCHEDULE		
MARK	DESCRIPTION	US BASE PLATE ELEVATION
C1	HSS 102x102x6.4	
C2	HSS 178x178x6.5	
C3	HSS 127x127x6.4	
C4	HSS 152x152x10	

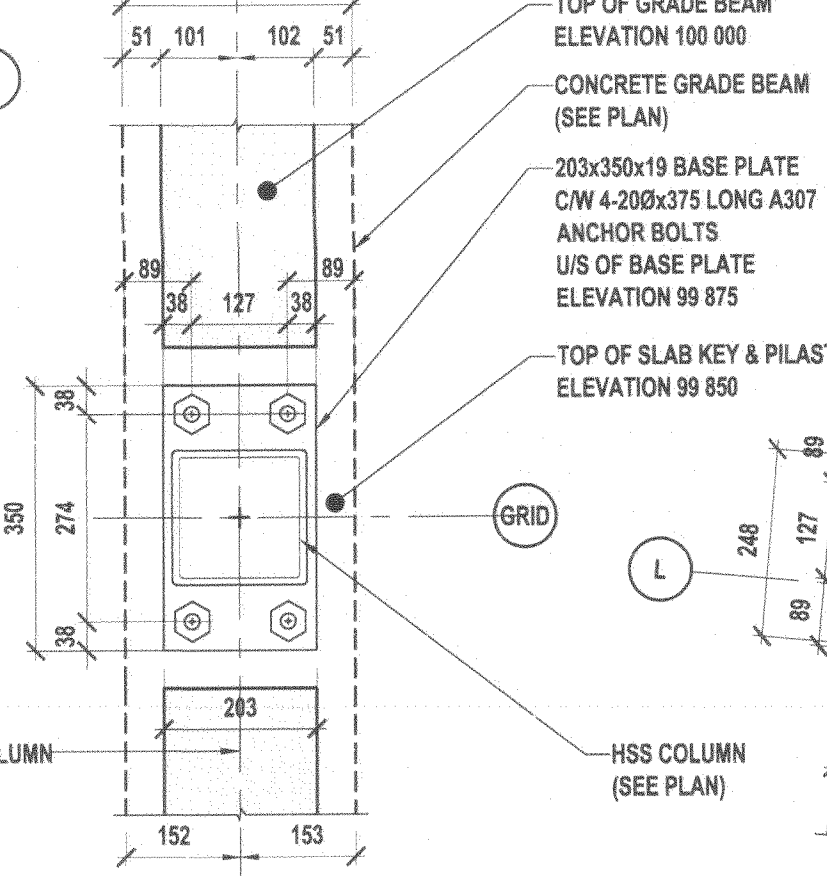
NOTES:  
-ALL COLUMNS TO HAVE 4-A307 19mm Ø x 450mm LONG ANCHOR BOLTS  
-BASE AND CAP PLATES TO BE 19mm



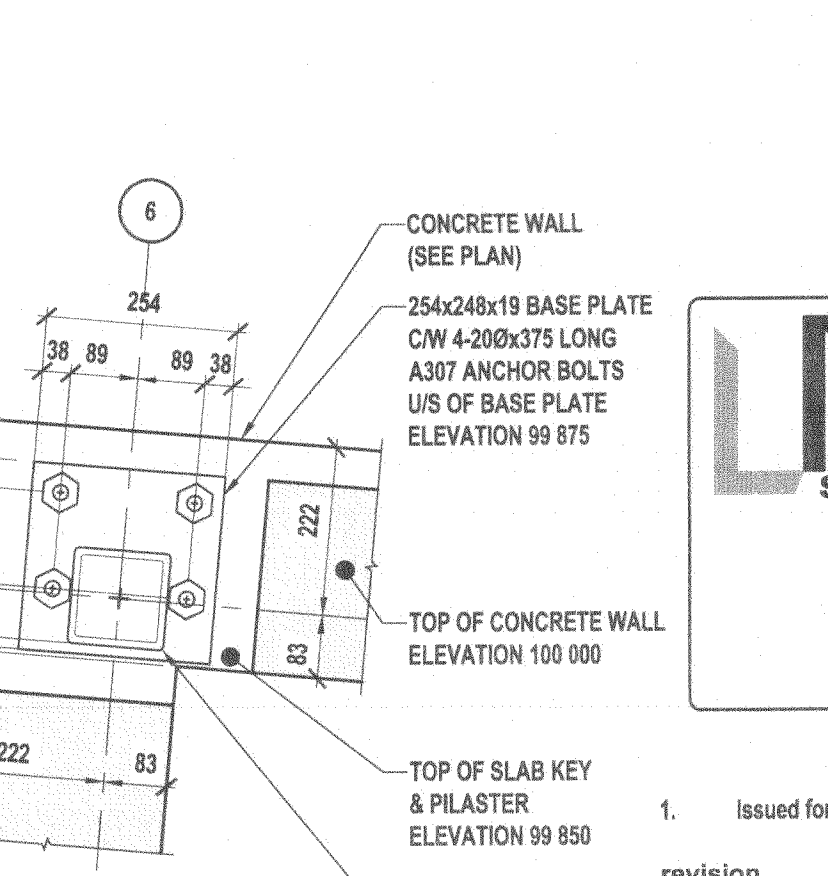
7 BASEPLATE DETAIL 'BP6' Scale: 1:10



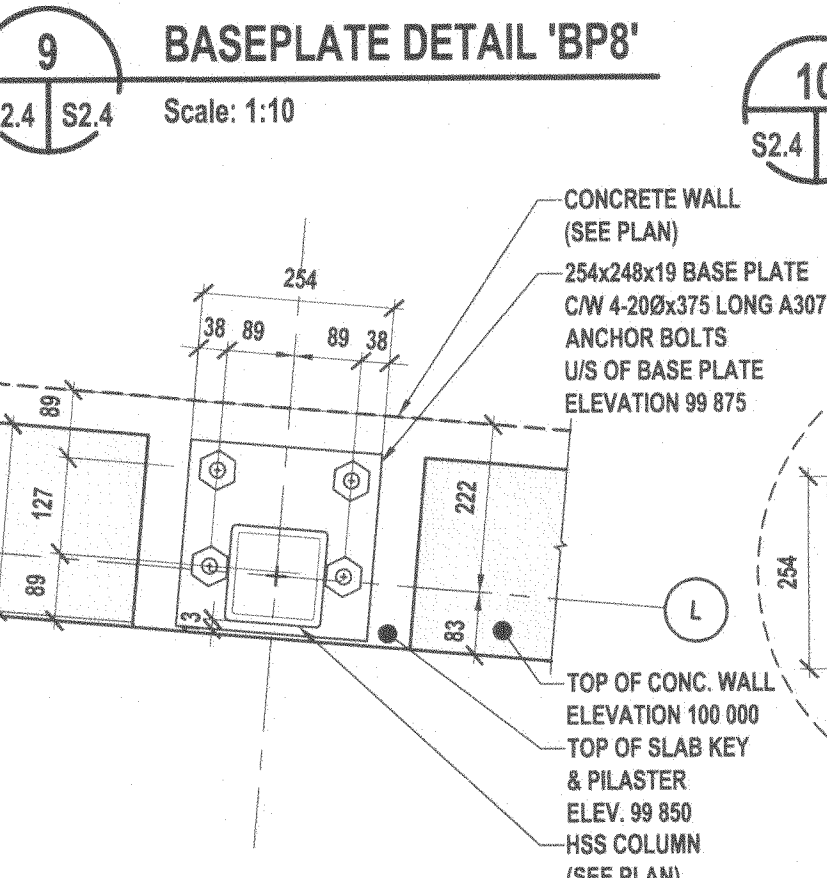
8 BASEPLATE DETAIL 'BP7' Scale: 1:10



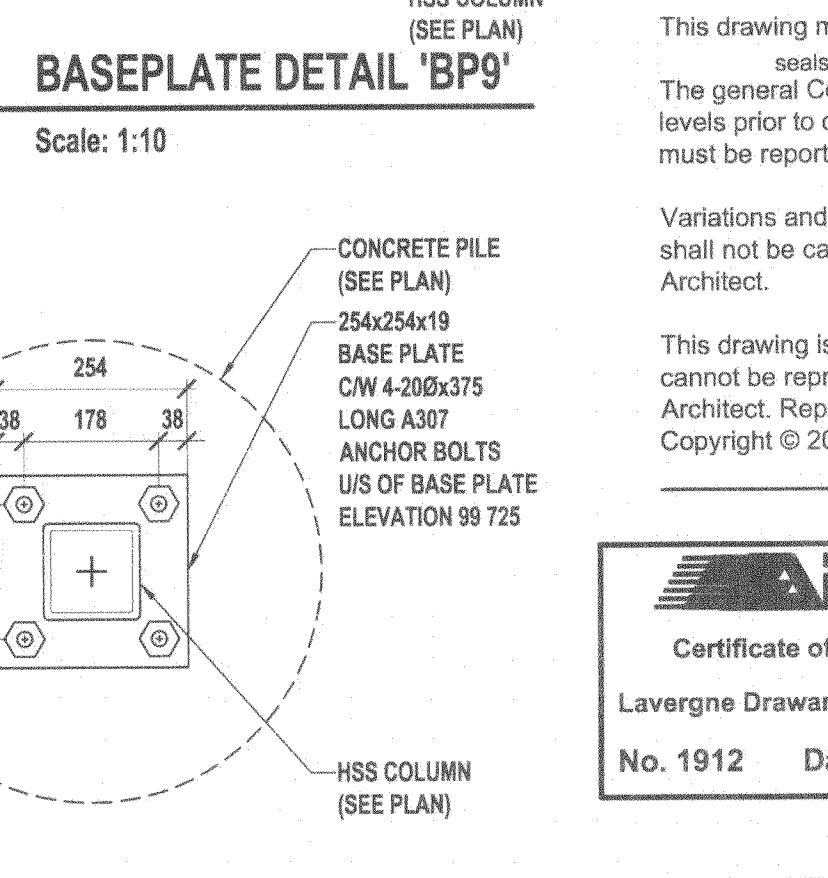
9 BASEPLATE DETAIL 'BP8' Scale: 1:10



10 BASEPLATE DETAIL 'BP9' Scale: 1:10

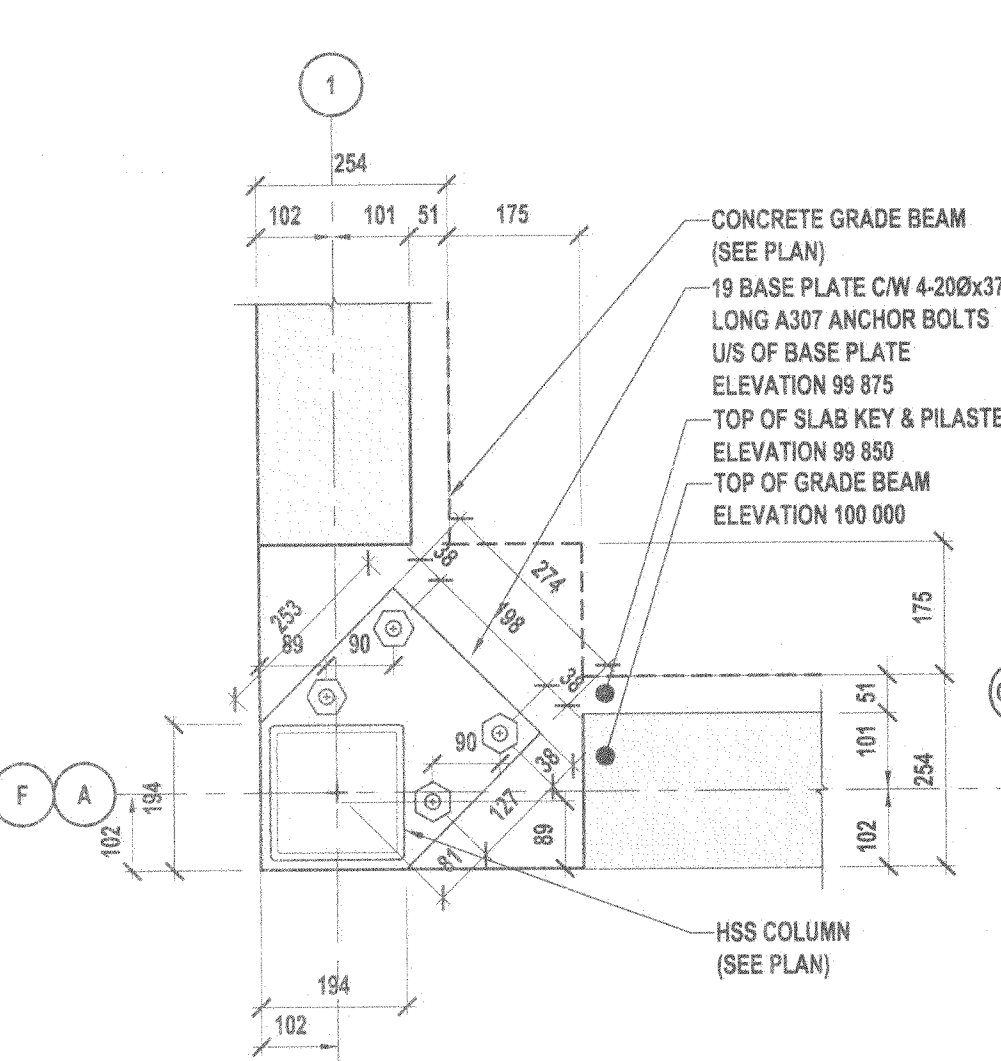


11 BASEPLATE DETAIL 'BP10' Scale: 1:10

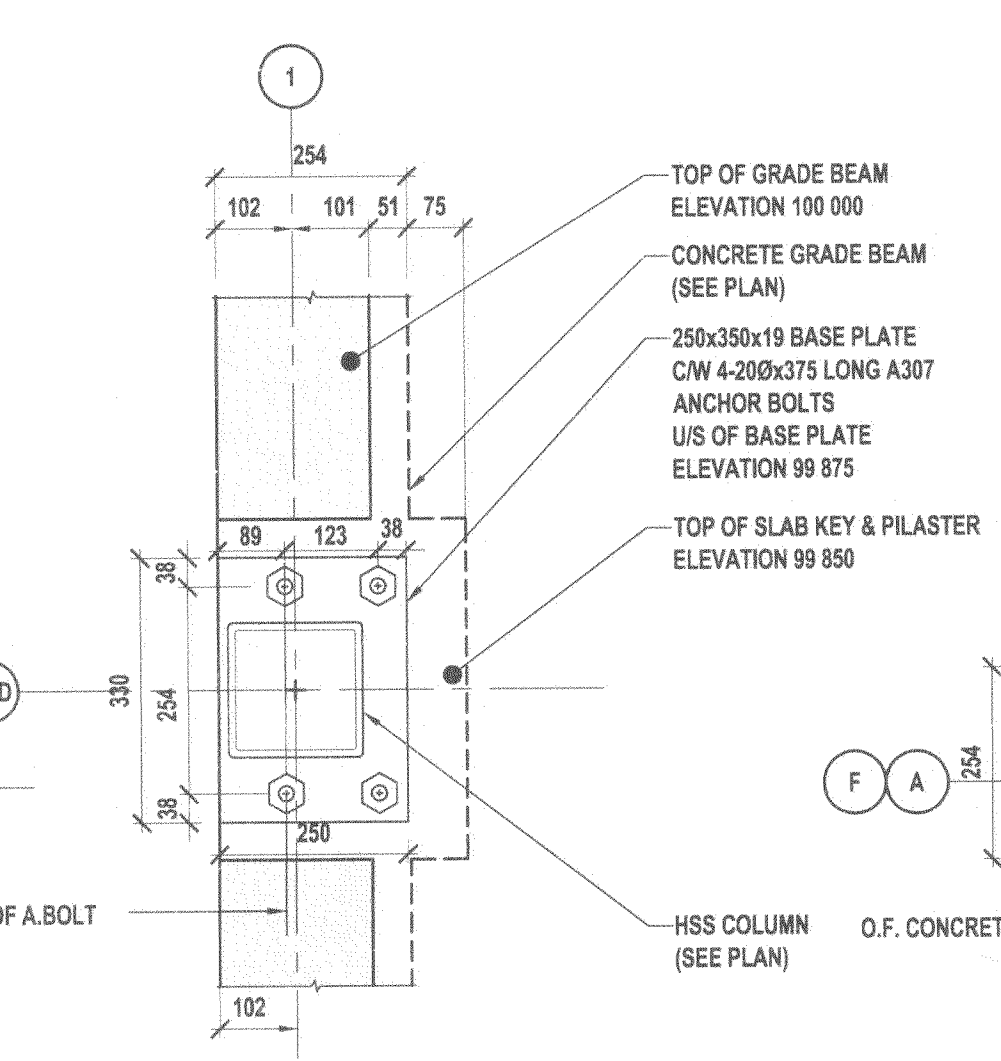


12 BASEPLATE DETAIL 'BP11' Scale: 1:10

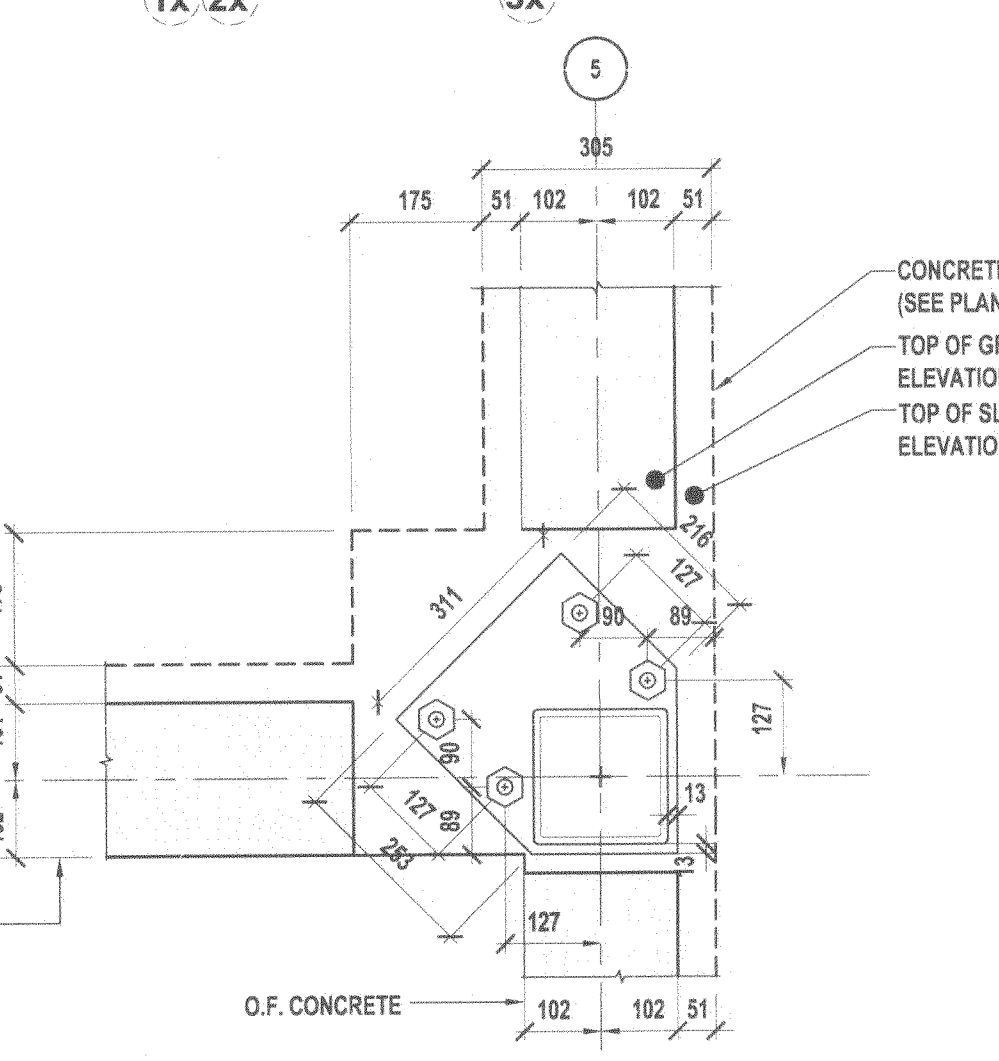
1 ROOF FRAMING PLAN TOP OF STEEL 103025 UN NOTED  
LIVE LOAD = 1.98 kPa  
DEAD LOAD = 1.10 kPa  
Scale: 1:100



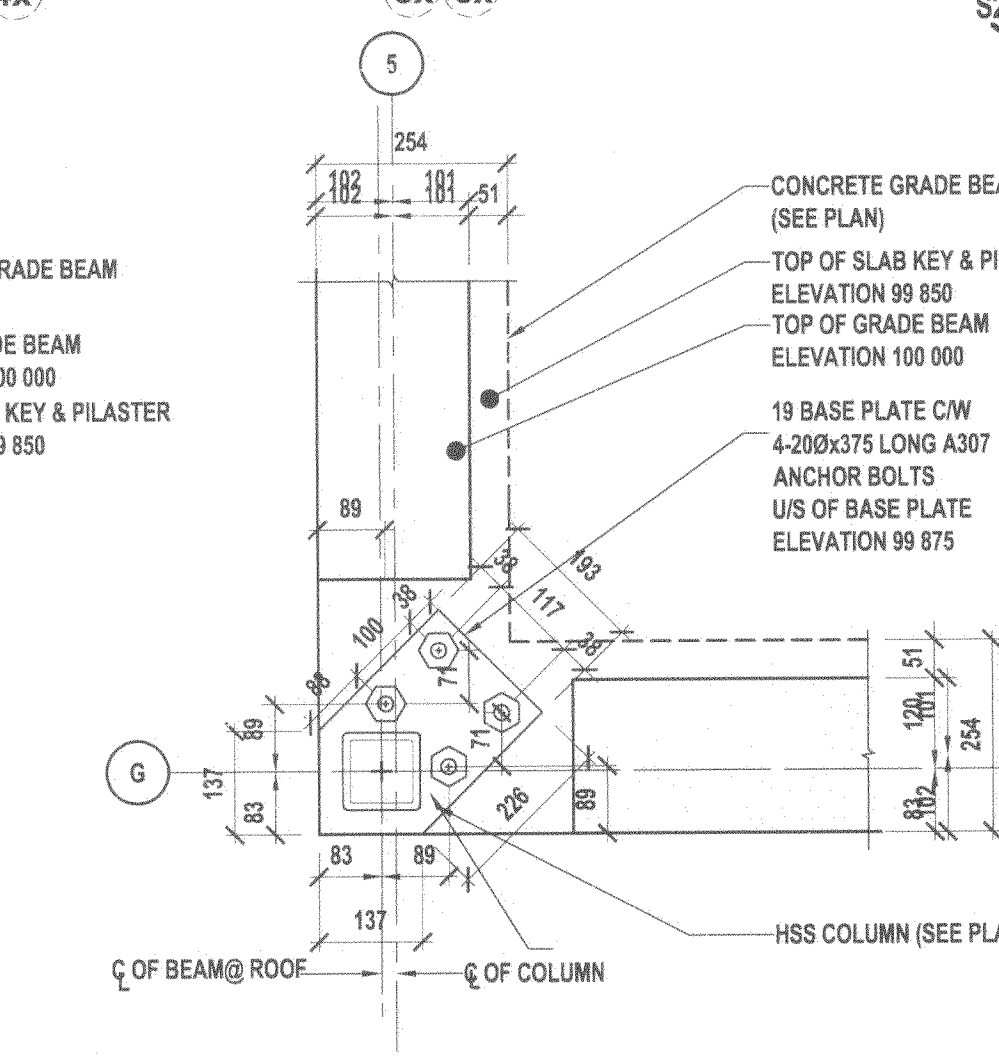
2 BASEPLATE DETAIL 'BP1' Scale: 1:10



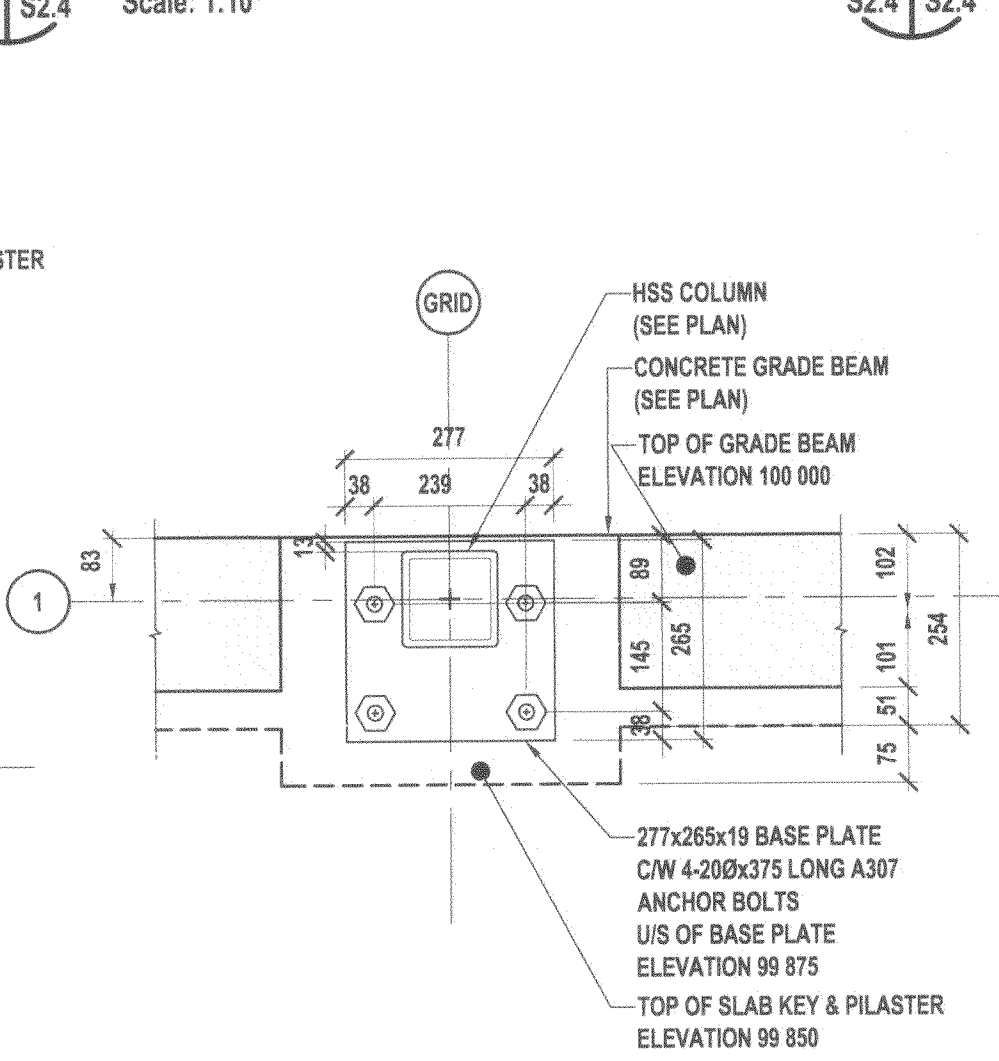
3 BASEPLATE DETAIL 'BP2' Scale: 1:10



4 BASEPLATE DETAIL 'BP3' Scale: 1:10



5 BASEPLATE DETAIL 'BP4' Scale: 1:10



6 BASEPLATE DETAIL 'BP5' Scale: 1:10

**Lavergne Draward & Associates Inc.**  
402-138 Portage Avenue East  
Winnipeg, Manitoba  
R3C 0A1  
Tel 204 947-2222  
Fax 204 947-2522  
E-mail general@ldaseng.ca  
Web www.ldaseng.ca  
Project # 7057

1. Issued for Tender Feb. 26, 2010  
revision  
This drawing must not be scaled.  
The general Contractor must verify all dimensions, datums and levels prior to commencement of work. All errors and omissions must be reported immediately to the Architect.  
Variations and modifications to work shown on this drawing shall not be carried out without written permission from the Architect.  
This drawing is the exclusive property of the Architect and cannot be reproduced without written permission of the Architect. Reproduction must bear the name of the Architect. Copyright © 2009.

**APEGM**  
Certificate of Authorization  
Lavergne Draward & Associates Inc.  
No. 1912 Date: Feb. 26, 2010

**harold funk architect inc.**  
Harold Funk Architect Inc.  
Architecture and Urban Design  
4015, Donald Street, Winnipeg, Manitoba, R3C 1A  
T (204) 943-5067 info@funkarchitect.com  
F (204) 949-9931 funkarchitect.com

project  
**SINCLAIR COMMUNITY CENTRE ADDITION & RENOVATION**  
490 Sinclair Street, Winnipeg

sheet title  
**ROOF FLOOR FRAMING PLAN**  
project number: 7057  
scale: AS NOTED  
drawn by: AP  
approved by: J.L.  
date: 26 FEB. 2010  
drawing number:  
**S 2.4**