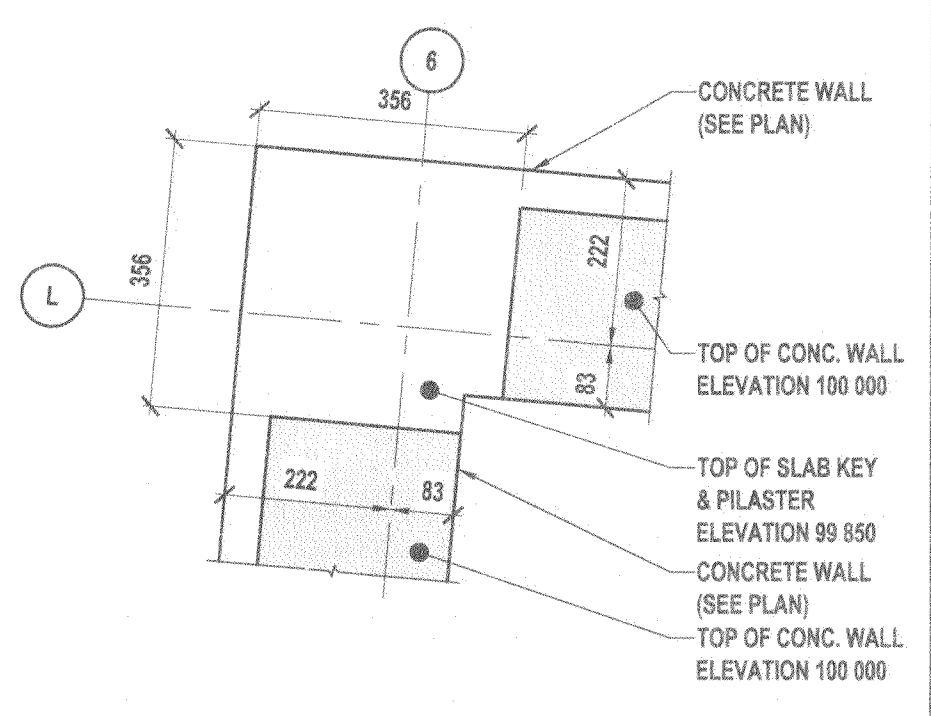


DOWEL SCHEDULE	
MARK	DESCRIPTION
D1	15M DOWELS x 1200 L.G. @ 300 O.C. TOP 300
D2	15M DOWELS x 1200 L.G. @ 450 O.C. TOP 300
D3	2-10M DOWELS x 1800mm L.G. @ 200mm O.C. 1800
D4	15M x 3000 L.G. @ 450 O.C. @ TOP OF SLAB 3000
D5	15M x 800 L.G. DRILL & EPOXY GROUT 150 MIN. INTO EXISTING CENTRE OF SLAB/BEAM 800
D6	15M DOWELS x 1200 L.G. @ 200 O.C. OF SLAB 300
D7	10M DOWELS x 900 L.G. @ 450 O.C. TOP OF SLAB 225
D8	15M x 2000 L.G. @ 450 O.C. @ TOP OF SLAB 2000
D9	15M x 1200 L.G. @ 200 O.C. @ TOP OF SLAB 1200
D10	2-20M x 610 L.G. @ 300 O.C. DRILL & EPOXY GROUT 150 MIN. INTO EXISTING 610
D11	3-15M @ 300 O.C. EACH WAY TOP

GRADE BEAM/WALL SCHEDULE	
MARK	DESCRIPTION
GB1	254mm x 750mm CONCRETE BEAM REINF: 2-25M TOP & BOTTOM 1-15M HORIZONTAL E.F. 10M STIRRUPS @ 300 O.C.
GB2	305mm x 750mm CONCRETE BEAM REINF: 2-25M TOP & BOTTOM 1-15M HORIZONTAL E.F. 10M STIRRUPS @ 300 O.C.
GB3	305mm x 750mm CONCRETE BEAM REINF: 2-25M TOP & BOTTOM 1-15M HORIZONTAL E.F. 10M STIRRUPS @ 350 O.C. 2-15M TOP BENT DOWN @ COLUMNS
GB4	203mm x 1220mm CONCRETE BEAM REINF: 2-25M TOP & BOTTOM 4-15M HORIZONTAL E.F. 10M STIRRUPS @ 450 O.C.
GB5	203mm x 450/1220mm CONCRETE BEAM REINF: 2-25M TOP & BOTTOM 4-15M HORIZONTAL E.F. 10M STIRRUPS @ 450 O.C.
GB6	250mm x 610mm CONCRETE BEAM REINF: 2-25 MIDDLE & BOTTOM 10M STIRRUPS @ 350 O.C.
W1	305mm CONCRETE WALL REINF: 2-20M TOP & BOTTOM 15M @ 300 O.C. E.F. EACH WAY
W2	203mm CONCRETE WALL REINF: 2-20M TOP & BOTTOM 15M @ 300 O.C. E.F. EACH WAY

SLAB SCHEDULE	
MARK	DESCRIPTION
S1	150 STRUCTURAL CONCRETE SLAB 10 MIL. POLY VAPOUR BARRIER 3mm UNTEMPERED MASONITE 200mm CARDBOARD VOID FORM 50mm LEVELLING SAND REINF: 15M @ 300 O.C. E.W. BOT.
S2	165 STRUCTURAL CONCRETE SLAB 10 MIL. POLY VAPOUR BARRIER 3mm UNTEMPERED MASONITE 200mm CARDBOARD VOID FORM 50mm LEVELLING SAND REINF: 15M @ 300 O.C. BOT. TS. 10M @ 300 O.C.
S3	150 STRUCTURAL CONCRETE SLAB 10 MIL. POLY VAPOUR BARRIER 3mm UNTEMPERED MASONITE 200mm CARDBOARD VOID FORM 50mm LEVELLING SAND REINF: 15M @ 300 O.C. BOT. TS. 10M @ 300 O.C.
S4	127 SLAB ON GRADE ON COMPACTED BASE, GRANULAR SUBBASE (SEE SECTION 15/S1.2) REINF: 10M @ 400 O.C. @ OF SLAB
S5	200 SLAB ON GRADE ON 150mm COMPACTED GRANULAR BASE ON 300mm COMPACTED GRANULAR SUBBASE REINF: 15M @ 300 O.C. EACH WAY @ OF SLAB

NOTES:  
- SLAB ON GRADE ON 150 COMP. GRAN. FILL (A BASE) ON COMP. GRANULAR (C BASE) COMPACTED IN 150 LIFTS (AMOUNT OF FILL DETERMINED BY GEODETIC ELEVATIONS OF FLOOR SLAB ON COMPACTED SUBGRADE)  
- SUBGRADE & COMPACTED FILL TO BE PREPARED/INSTALLED AS PER RECOMMENDATIONS IN GEOTECHNICAL REPORT



**7** PILASTER DETAIL 'PL8'  
Scale: 1:10

THE CONTRACTOR IS TO VERIFY DIMENSIONS AND DATA NOTED ON THE STRUCTURAL DRAWINGS WITH CONDITIONS ON THE SITE. CO-ORDINATE ALL DIMENSIONS WITH THE ARCHITECTURAL DRAWINGS AND IS HELD RESPONSIBLE FOR REPORTING ANY DISCREPANCIES TO THE ENGINEER BEFORE PROCEEDING WITH THE WORK. VARIATIONS AND MODIFICATIONS TO WORK SHOWN ON THE STRUCTURAL DRAWINGS SHALL NOT BE CARRIED OUT WITHOUT WRITTEN PERMISSION FROM THE ENGINEER. THIS DRAWING IS NOT TO BE SCALED.  
ALL BEAMS, ANGLES AND MISCELLANEOUS METALS INDICATED ON ARCHITECTURAL, MECHANICAL AND/OR ELECTRICAL DRAWINGS BUT NOT SHOWN OR NOTED ON STRUCTURAL DRAWINGS, SHALL BE INCLUDED IN THE TENDER PRICE. THE CONTRACTOR IS RESPONSIBLE FOR CONFIRMING SIZES AND LOCATIONS OF THESE MEMBERS WITH BOTH THE ARCHITECT AND THE ENGINEER PRIOR TO TENDER CLOSING.

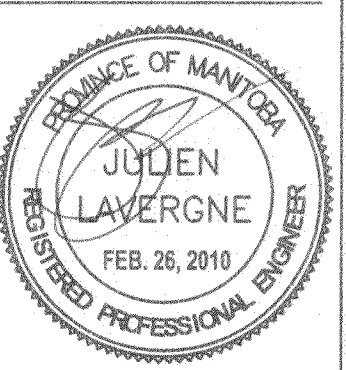
**Lavergne Draward & Associates Inc.**  
402-138 Portage Avenue East  
Winnipeg, Manitoba  
R3C 0A1  
Tel: 204 947-2222  
Fax: 204 947-2522  
E-mail: gopher@ldang.ca  
Web: www.ldang.ca  
Project # 7057

1. Issued for Tender Feb. 26, 2010  
revision

This drawing must not be scaled.  
The general Contractor must verify all dimensions, datums and levels prior to commencement of work. All errors and omissions must be reported immediately to the Architect.  
Variations and modifications to work shown on this drawing shall not be carried out without written permission from the Architect.

This drawing is the exclusive property of the Architect and cannot be reproduced without written permission of the Architect. Reproduction must bear the name of the Architect. Copyright © 2009.

**APCGN**  
Certificate of Authorization  
Lavergne Draward & Associates Inc.  
No. 1912 Date: FEB. 26, 2010



**harold funk architect inc.**  
Harold Funk Architect Inc.  
Architecture and Urban Design  
401-55 Donald Street, Winnipeg, Manitoba, R3C 1J5  
T (204) 545-5087 info@funkarchitect.com  
F (204) 545-9251 funk@funkarchitect.com

project  
**SINCLAIR COMMUNITY CENTRE ADDITION & RENOVATION**  
490 Sinclair Street, Winnipeg

sheet title  
**MAIN FLOOR FRAMING PLAN**

project number: 7057 drawing number:  
scale: AS NOTED  
drawn by: AP  
approved by: J.L.  
date: 26 FEB. 2010

**S 2.3**

**1** MAIN FLOOR FRAMING PLAN  
1:10 TOP OF MAIN FLOOR SLAB 100 000 (MIN NOTED)

