

1 MAIN FLOOR FOUNDATION  
S2.2 S2.1 1:100

SEE DRAWING S2.1 FOR BASEMENT FOUNDATION PLAN

PROVIDE 2 SEPARATE PRICE FOR 2-P5x7600 PILES FOR FUTURE SIGN AT THE CORNER OF ARLINGTON AND CHURCH AVE. EXACT LOCATION OF PILES TO BE CONFIRMED.

THE CONTRACTOR IS TO VERIFY DIMENSIONS AND DATA NOTED ON THE STRUCTURAL DRAWINGS WITH CONDITIONS ON THE SITE. CO-ORDINATE ALL DIMENSIONS WITH THE ARCHITECTURAL DRAWINGS AND IS HELD RESPONSIBLE FOR REPORTING ANY DISCREPANCIES TO THE ENGINEER BEFORE PROCEEDING WITH THE WORK. VARIATIONS AND MODIFICATIONS TO WORK SHOWN ON THE STRUCTURAL DRAWINGS SHALL NOT BE CARRIED OUT WITHOUT WRITTEN PERMISSION FROM THE ENGINEER. THIS DRAWING IS NOT TO BE SCALED. ALL BEAMS, ANGLES AND MISCELLANEOUS METALS INDICATED ON ARCHITECTURAL MECHANICAL AND/OR ELECTRICAL DRAWINGS BUT NOT SHOWN OR NOTED ON STRUCTURAL DRAWINGS, SHALL BE INCLUDED IN THE TENDER PRICE. THE CONTRACTOR IS RESPONSIBLE FOR CONFIRMING SIZES AND LOCATIONS OF THESE MEMBERS WITH BOTH THE ARCHITECT AND THE ENGINEER PRIOR TO TENDER CLOSING.

**Lavergne Draward & Associates Inc.**  
402-138 Portage Avenue East  
Winnipeg, Manitoba  
R3C 0A1  
Tel. 204 947-2222  
Fax 204 947-2522  
E mail general@ldaeng.ca  
Web www.ldaeng.ca  
Project # 7057

1. Issued for Tender Feb. 26, 2010  
revision

This drawing must not be scaled.  
The general Contractor must verify all dimensions, datums and levels prior to commencement of work. All errors and omissions must be reported immediately to the Architect.

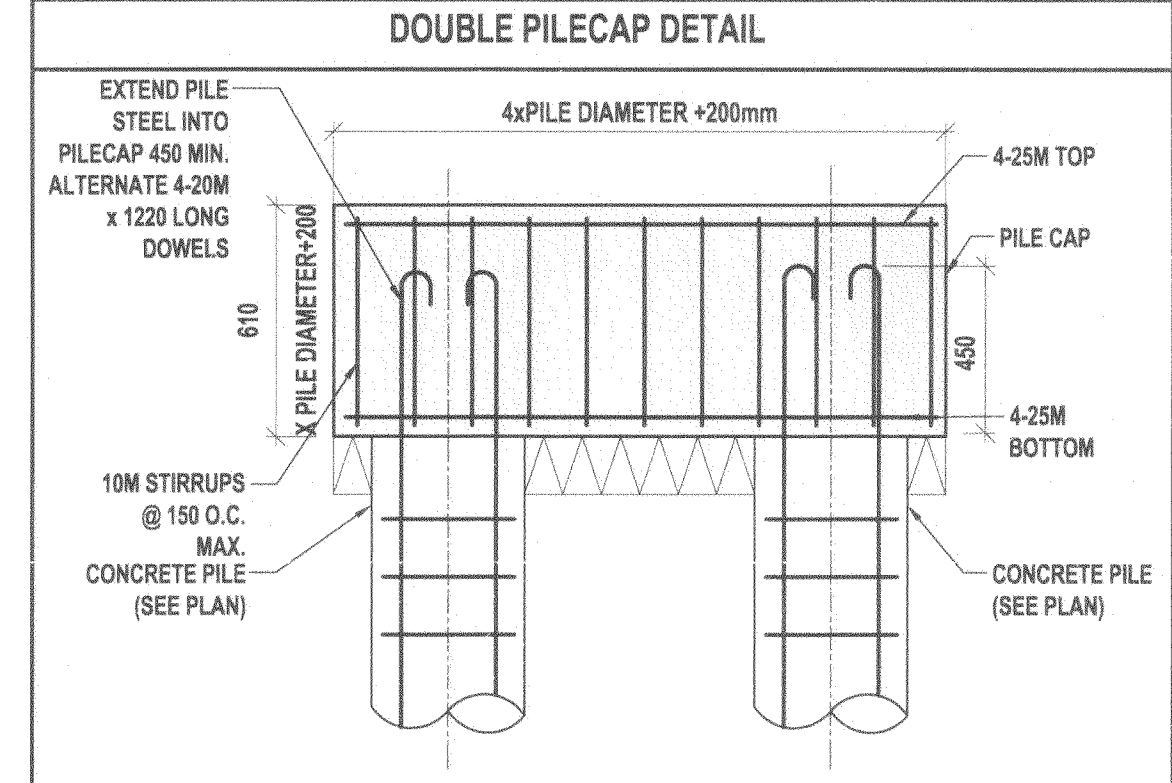
Variations and modifications to work shown on this drawing shall not be carried out without written permission from the Architect.

This drawing is the exclusive property of the Architect and cannot be reproduced without written permission of the Architect. Reproduction must bear the name of the Architect. Copyright © 2009.

CAST IN PLACE PILE SCHEDULE	
MARK	DESCRIPTION
P1	4000 CAST IN PLACE PILE
P2	4500 CAST IN PLACE PILE
P3	5000 CAST IN PLACE PILE
P4	5500 CAST IN PLACE PILE
P5	6100 CAST IN PLACE PILE
P6	7620 CAST IN PLACE PILE

NOTE:  
- ALL PILES TO BE CENTERED UNDER GRADE BEAMS  
- ELEVATION TOP OF PILE 99 250 TYPICAL UN

2-20M x1220 LONG DOWELS INTO CONCRETE GRADE BEAM CONCRETE WALL (TYPICAL)  
PILE REINFORCING  
400 SHAFT 4-15M VERT.  
450 SHAFT 5-15M VERT.  
500 SHAFT 5-15M VERT.  
550 SHAFT 6-15M VERT.  
610 SHAFT 6-15M VERT.  
ALL TIES TO BE 10M @ 150 FROM TOP REMAINDER @ 900 O.C.  
NOTE: EXTRA PILE REINFORCING @ CANTILEVER PILE CAPS



**APEGN**  
Certificate of Authorization  
Lavergne Draward & Associates Inc.  
No. 1912 Date: FEB. 26, 2010

PROVINCE OF MANITOBA  
JULIEN LAVERGNE  
REGISTERED PROFESSIONAL ENGINEER  
FEB. 26, 2010

**harold funk architect inc.**  
Harold Funk Architect Inc.  
Architecture and Urban Design  
401-55, Donald Street, Winnipeg, Manitoba, R4C 1L8  
T (204) 943-5047 info@funkarchitect.com  
F (204) 943-9231 funkarchitect.com

project  
**SINCLAIR COMMUNITY CENTRE ADDITION & RENOVATION**  
490 Sinclair Street, Winnipeg  
sheet title  
**MAIN FLOOR FOUNDATION PLAN**

project number: 7057 drawing number:  
scale: AS NOTED  
drawn by: AP  
approved by: J.L.  
date: 26 FEB. 2010

**S 2.2**