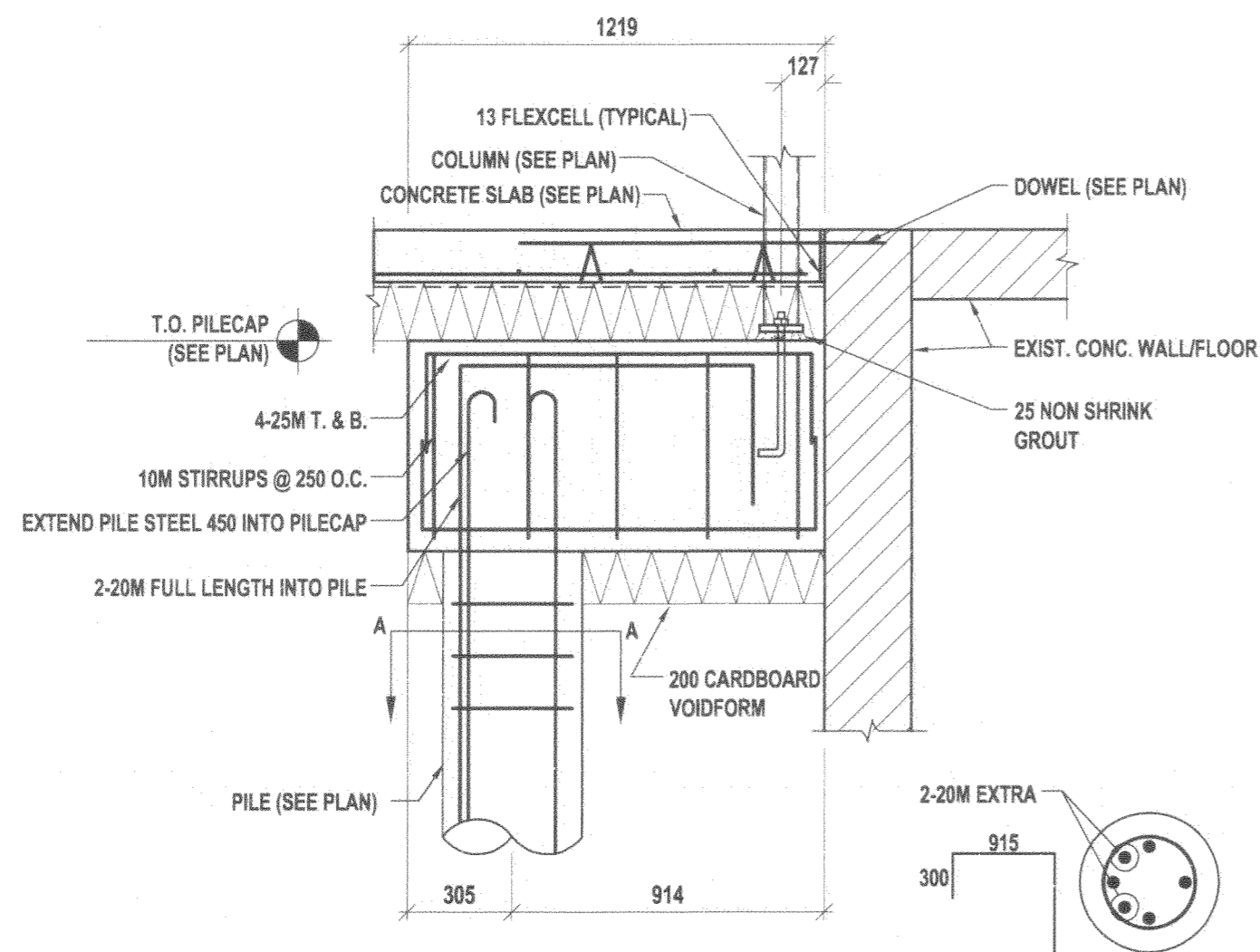


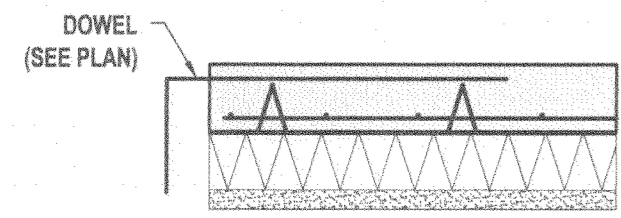
**1 TYPICAL CONSTRUCTION JOINT DETAIL**

S1.2 S1.2 1:20



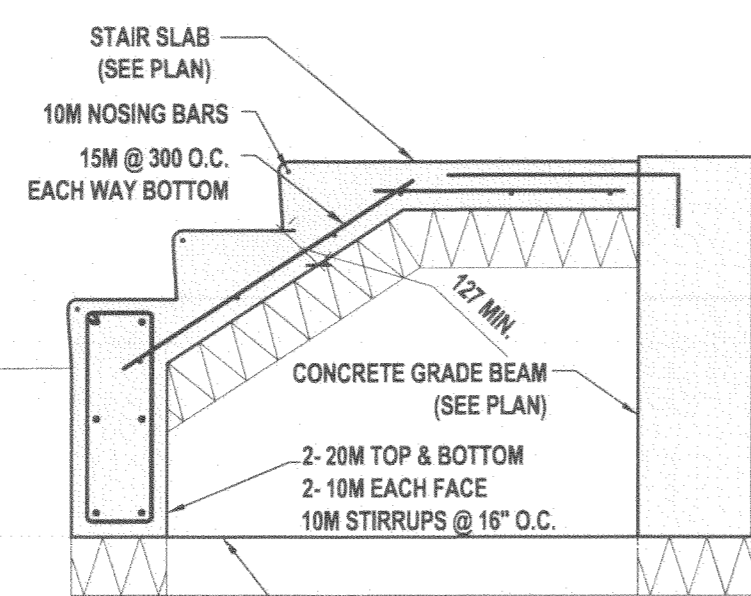
**4 TYP. CANTILEVERED PILE CAP SECTION 'PC1'**

S2.3 S1.2 1:20



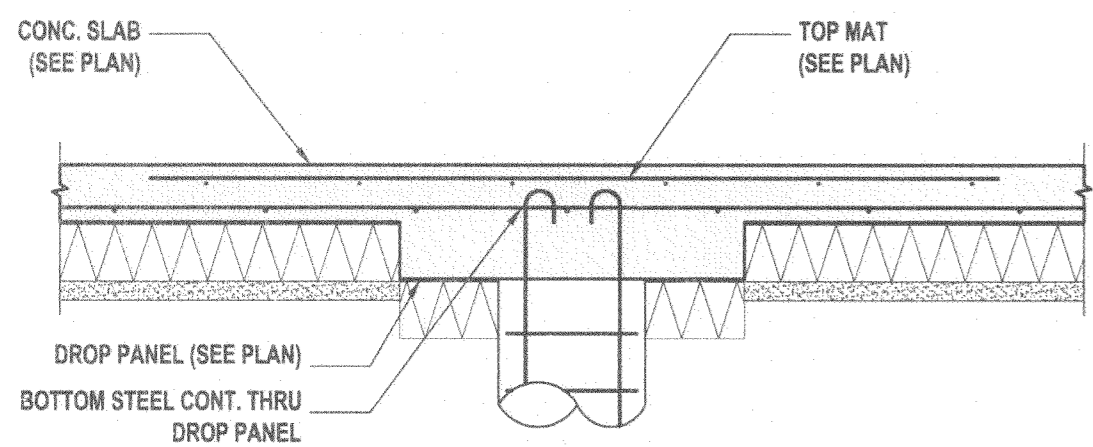
**2 TYPICAL STRUCTURAL SLAB**

S1.2 S1.2 1:20



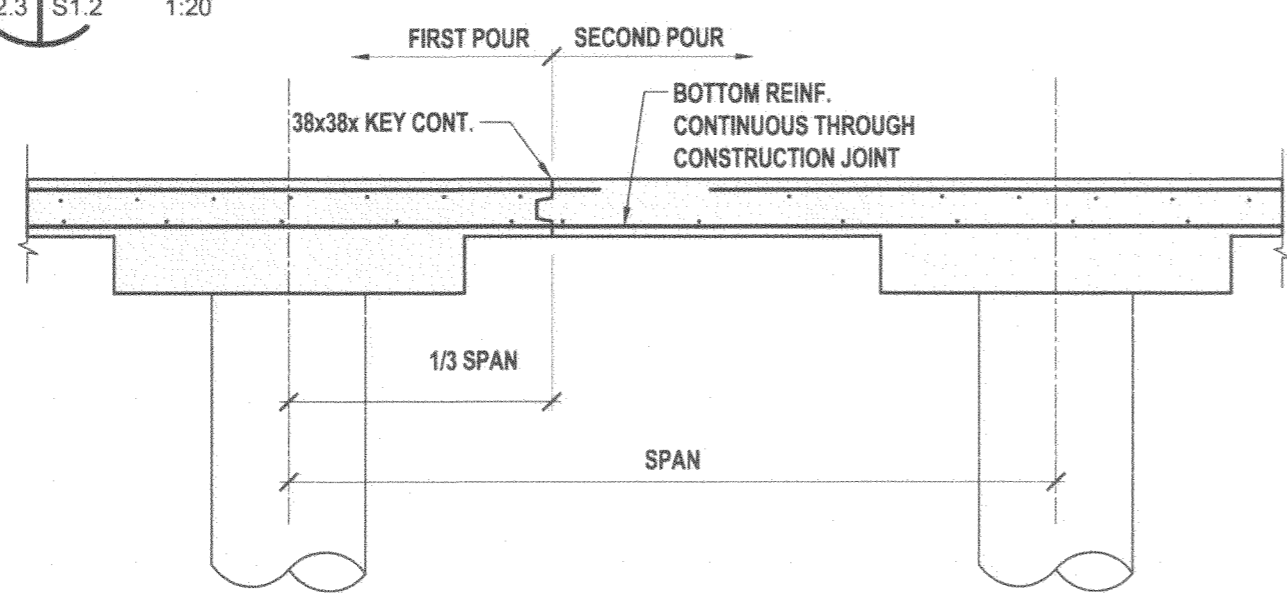
**5 TYPICAL CONCRETE STAIR SECTION**

S2.3 S1.2 1:20



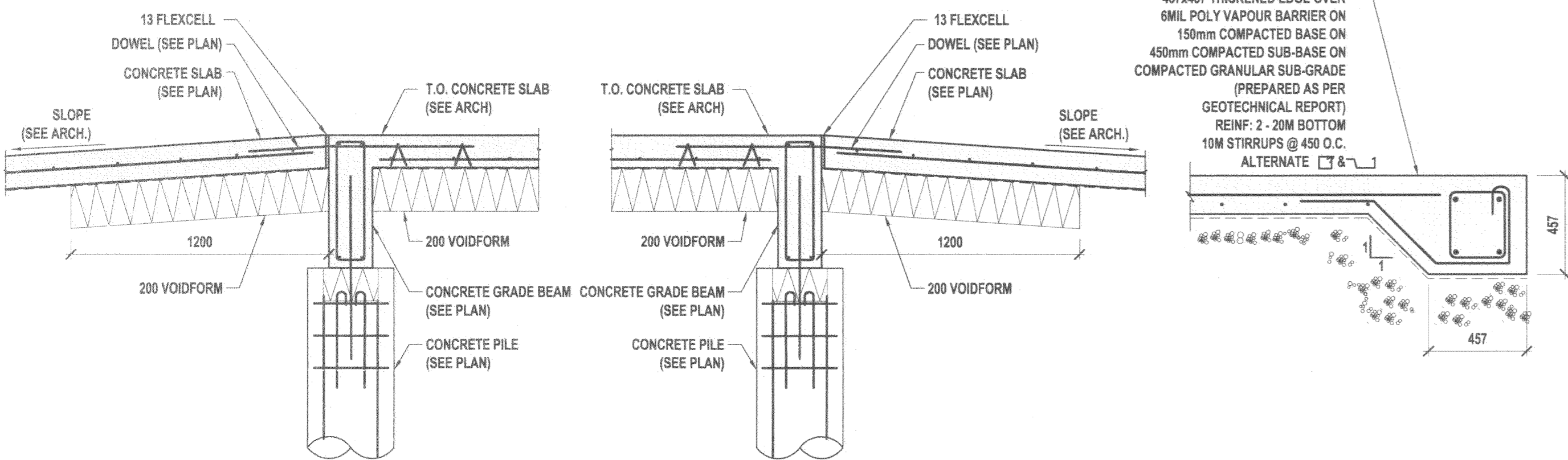
**3 TYPICAL DROP PANEL**

S1.2 S1.2 1:20



**6 TYP CONST. JOINT DETAIL WITH DROP PANEL**

S1.2 S1.2 1:20

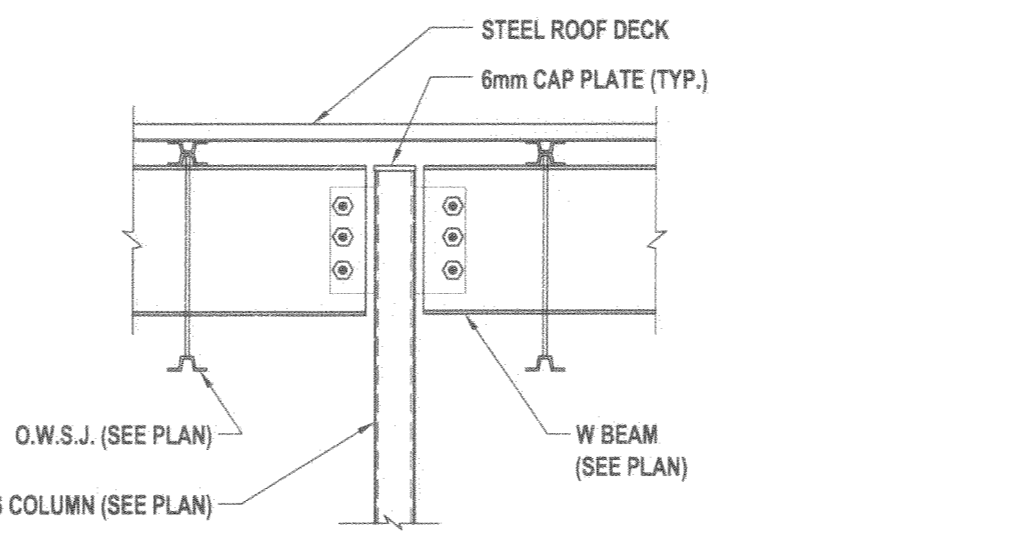


**14 SECTION**

S2.3 S1.2 1:20

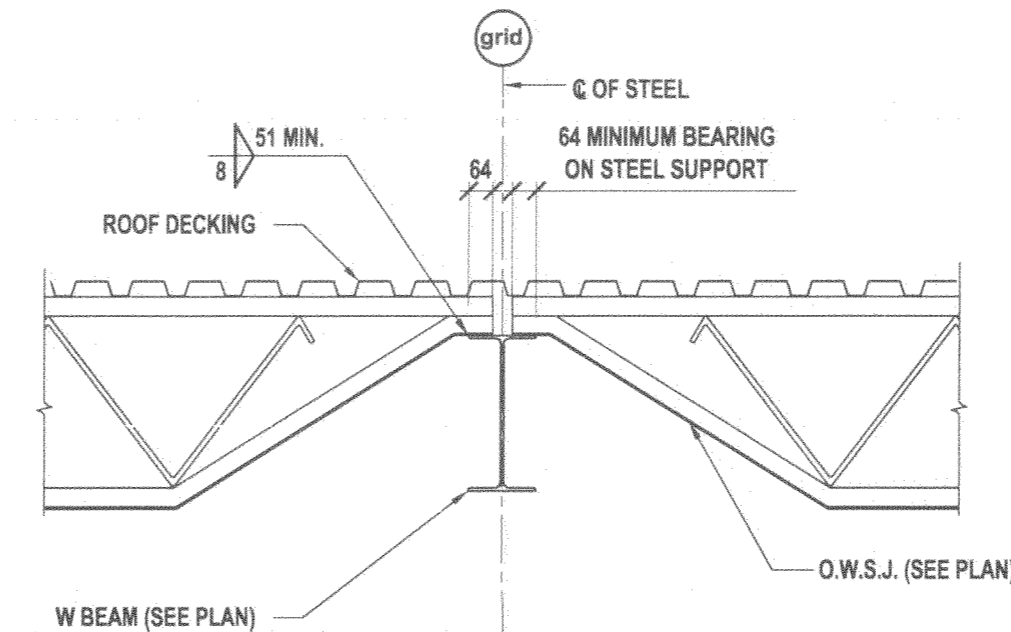
**15 SECTION**

S2.3 S1.2 1:20



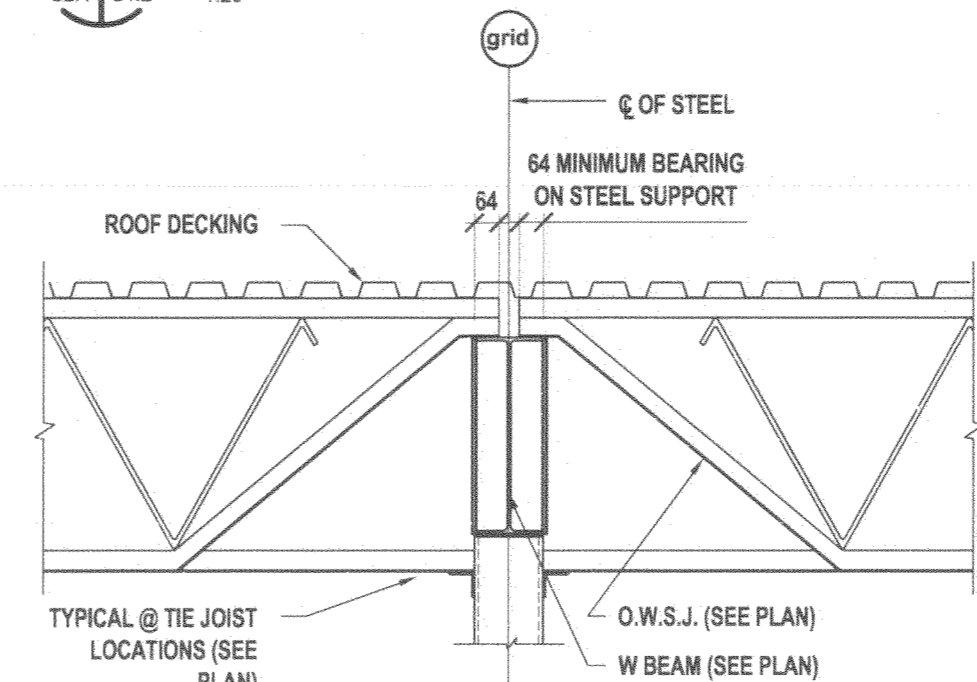
**7 TYPICAL COLUMN CONNECTION**

S2.4 S1.2 1:20



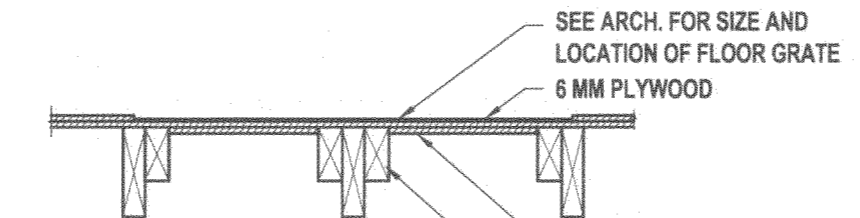
**8 TYPICAL JOIST BEARING ON W BEAM SECTION**

S2.4 S1.2 1:20



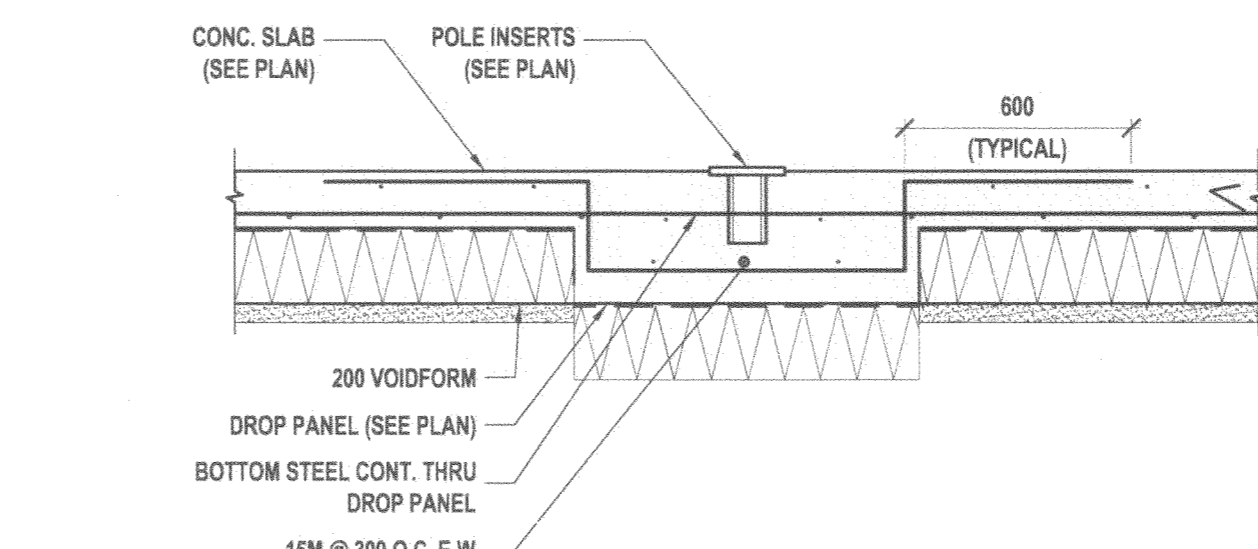
**9 TYPICAL JOIST SUPPORT**

S2.4 S1.2 1:20



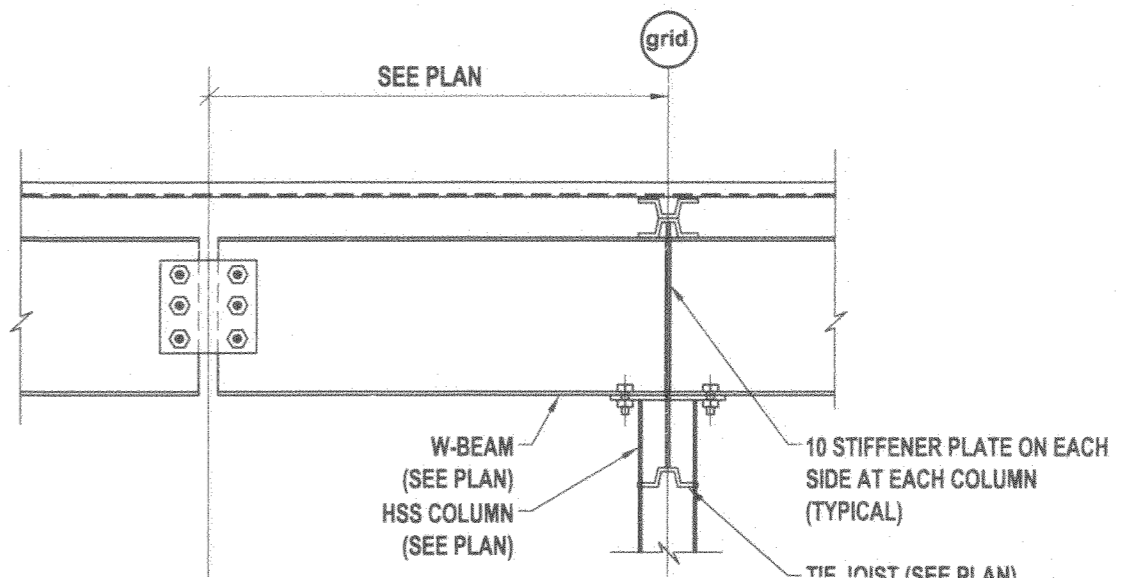
**16 RECESSED GRATING SECTION**

S2.3 S1.2 1:20



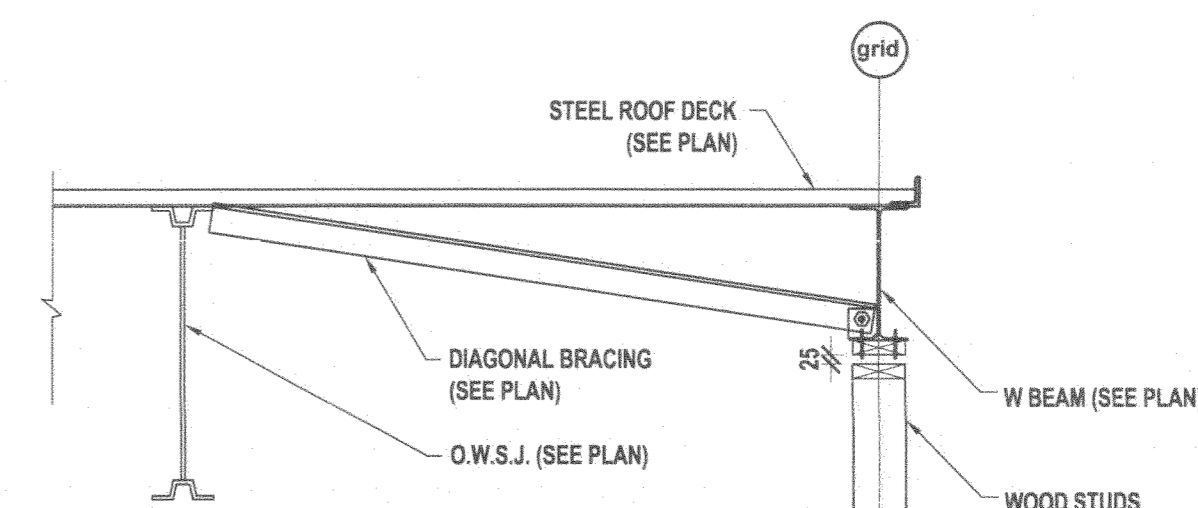
**17 SECTION**

S2.3 S1.2 1:20



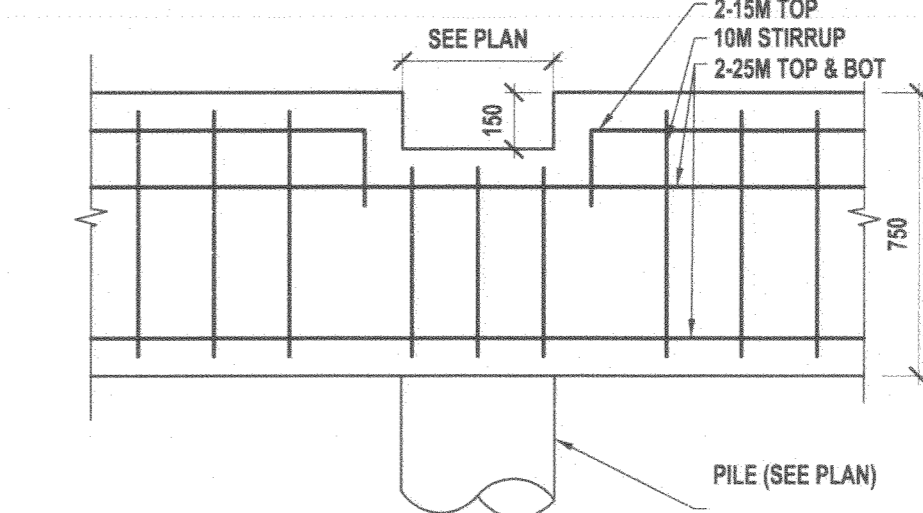
**10 TYPICAL BEAM SPLICE**

S1.2 S1.2 1:20



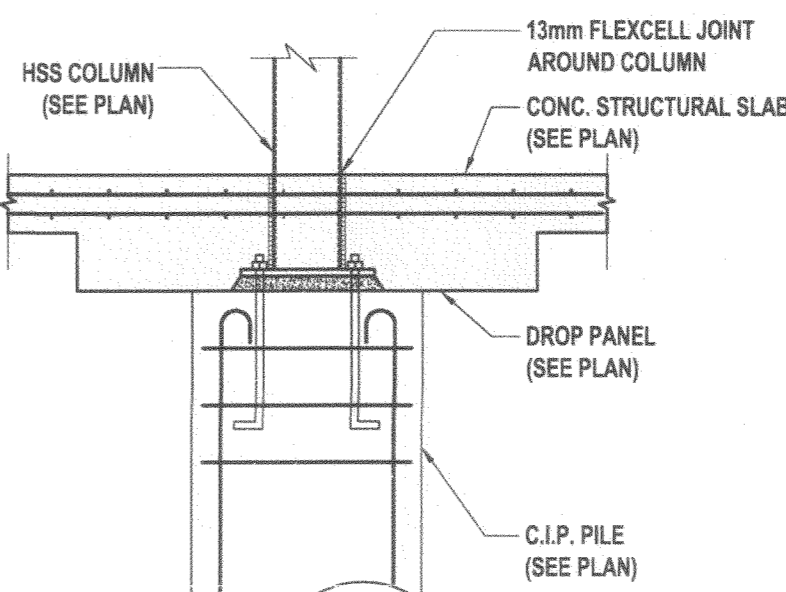
**11 SECTION**

S2.4 S1.2 1:20



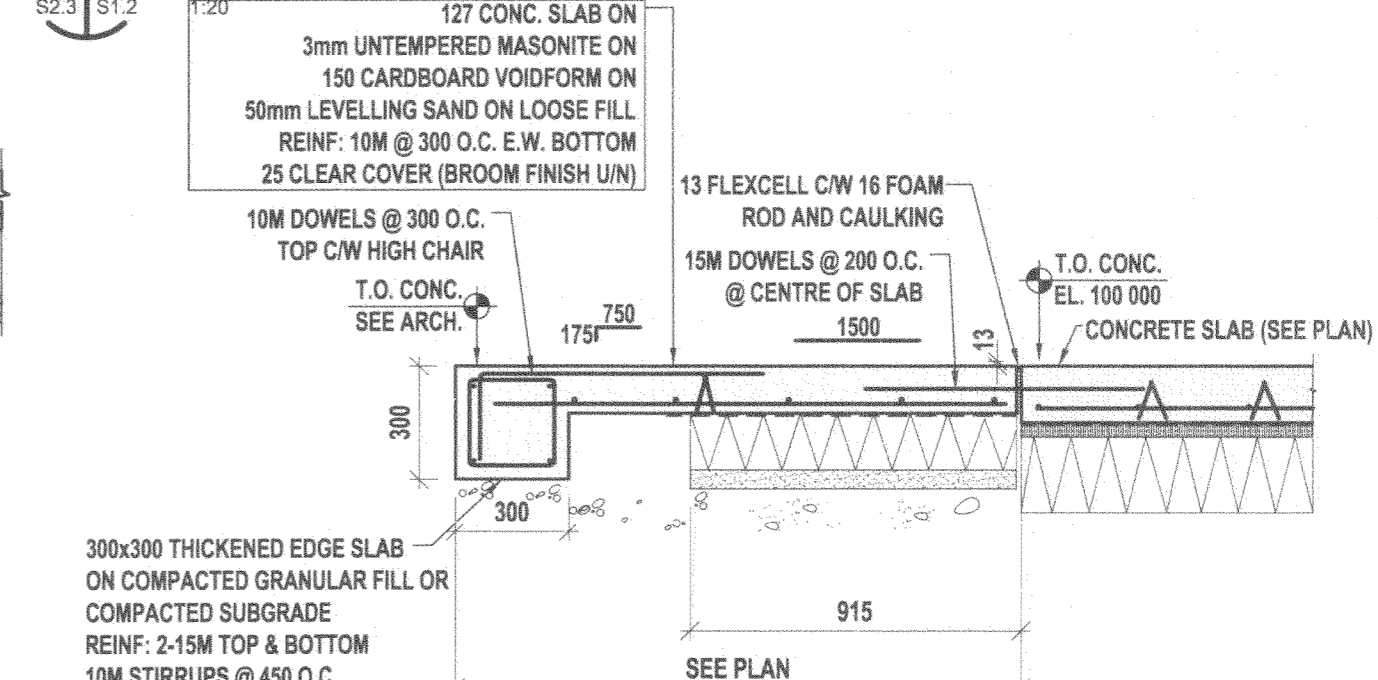
**12 SECTION**

S2.3 S1.2 1:20



**13 SECTION**

S2.3 S1.2 1:20



**18 SECTION**

S2.3 S1.2 1:20

THE CONTRACTOR IS TO VERIFY DIMENSIONS AND DATA NOTED ON THE STRUCTURAL DRAWINGS WITH CONDITIONS ON THE SITE. CO-ORDINATE ALL DIMENSIONS WITH THE ARCHITECTURAL DRAWINGS, AND IS HELD RESPONSIBLE FOR REPORTING ANY DISCREPANCIES TO THE ENGINEER BEFORE PROCEEDING WITH THE WORK. VARIATIONS AND MODIFICATIONS TO WORK SHOWN ON THE STRUCTURAL DRAWINGS SHALL NOT BE CARRIED OUT WITHOUT WRITTEN PERMISSION FROM THE ENGINEER. THIS DRAWING IS NOT TO BE SCALED. ALL BEAMS, ANGLES AND MISCELLANEOUS METALS INDICATED ON ARCHITECTURAL, MECHANICAL AND/OR ELECTRICAL DRAWINGS SHALL NOT SHOWN OR NOTED ON STRUCTURAL DRAWINGS. SHALL BE INCLUDED IN THE TENDER PRICE. THE CONTRACTOR IS RESPONSIBLE FOR CONFIRMING SIZES AND LOCATIONS OF THESE MEMBERS WITH BOTH THE ARCHITECT AND THE ENGINEER PRIOR TO TENDER CLOSING.

**LDA** **Lavergne Drawd & Associates Inc.**  
 402-138 Portage Avenue East  
 Winnipeg, Manitoba  
 R3C 0A1  
 Tel 204 947-2222  
 Fax 204 947-2522  
 E mail general@ldaeng.ca  
 Web www.ldaeng.ca  
 Project # 7057

1. Issued for Tender Feb. 26, 2010

revision  
 This drawing must not be scaled.  
 The general Contractor must verify all dimensions, datums and levels prior to commencement of work. All errors and omissions must be reported immediately to the Architect.

Variations and modifications to work shown on this drawing shall not be carried out without written permission from the Architect.

This drawing is the exclusive property of the Architect and cannot be reproduced without written permission of the Architect. Reproduction must bear the name of the Architect. Copyright © 2009.

**APEGN**  
 Certificate of Authorization  
 Lavergne Drawd & Associates Inc.  
 No. 1912 Date: FEB. 26, 2010

**JELIEN LAVERGNE**  
 REGISTERED PROFESSIONAL ENGINEER  
 FEB. 26, 2010

**harold funk architect inc.**  
 Harold Funk Architect Inc.  
 Architecture and Urban Design  
 20155 Donald Street, Winnipeg, Manitoba R2C 1E5  
 T (204) 943-5587 info@funkarchitect.com  
 F (204) 949-9291 funkarchitect.com

project  
**SINCLAIR COMMUNITY CENTRE ADDITION & RENOVATION**  
 490 Sinclair Street, Winnipeg

sheet title  
**TYPICAL SECTION & DETAILS**

project number: 7057 drawing number:  
 scale: AS NOTED  
 drawn by: AP **S 1.2**  
 approved by: J.L.  
 date: 26 FEB. 2010