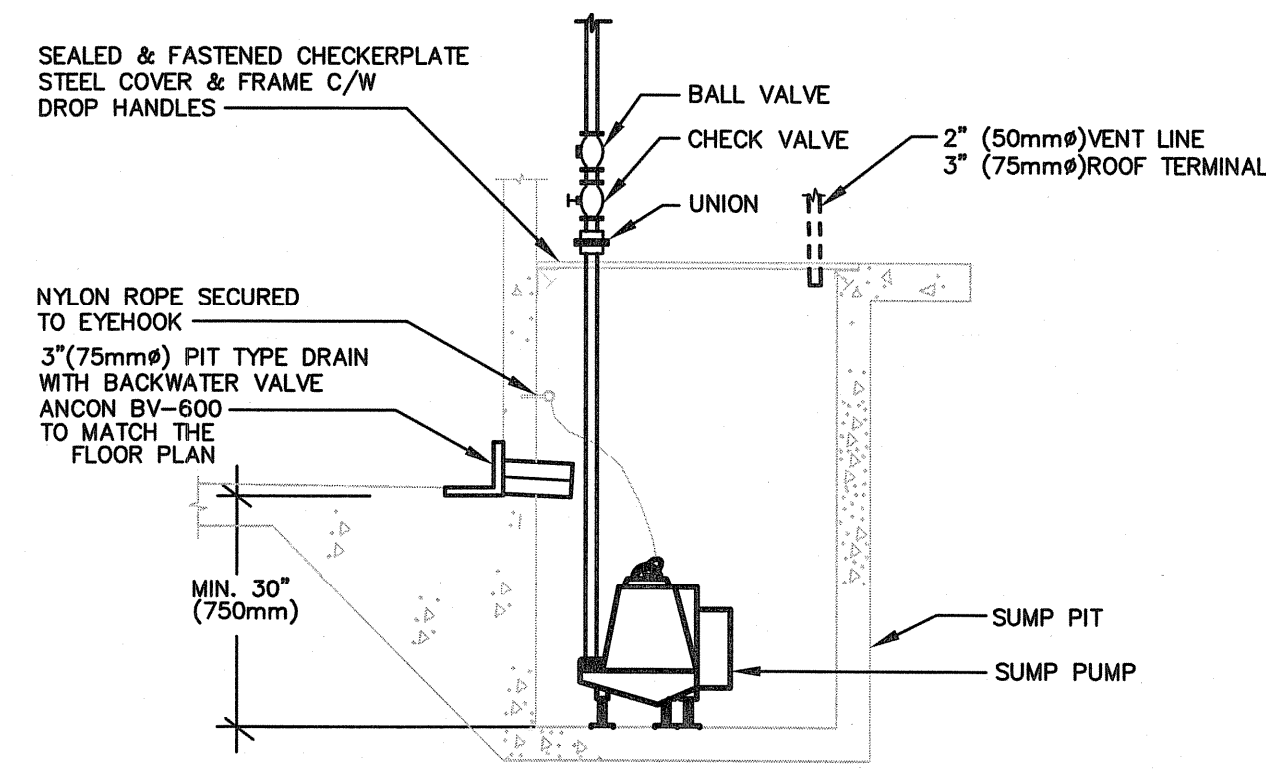
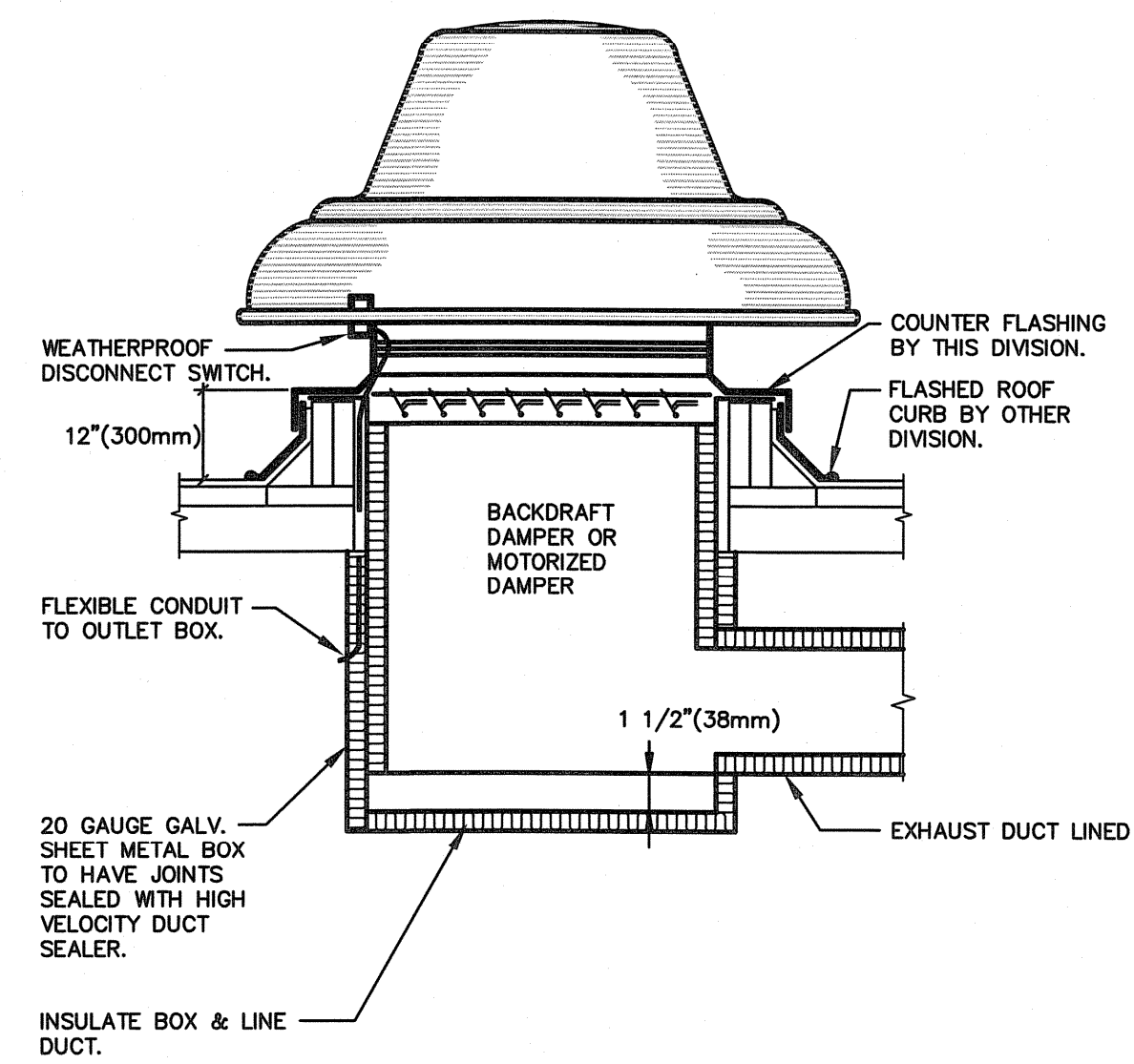


1 DUPLEX SUMP PUMP DETAIL  
MB.1 SCALE: NTS



2 ELEVATOR SUMP PUMP DETAIL  
MB.1 SCALE: NTS



3 ROOF EXHAUST DETAIL  
MB.1 SCALE: NTS



**APEGM**  
Certificate of Authorization  
MCW/AGE Consulting  
Professional Engineers  
No. 589 Expiry: April 30, 2010

D ISSUED FOR TENDER	FEB 26, 2010
C ISSUED FOR 99% REVIEW	FEB 10, 2010
B ISSUED FOR 80% REVIEW	JAN 08, 2010
A ISSUED FOR 60% REVIEW	DEC 02, 2009

This drawing must not be scaled.

The general Contractor must verify all dimensions, datums and levels prior to commencement of work. All errors and omissions must be reported immediately to the Architect.

Variations and modifications to work shown on this drawing shall not be carried out without written permission from the Architect.

This drawing is the exclusive property of the Architect and cannot be reproduced without written permission of the Architect. Reproduction must bear the name of the Architect. Copyright © 2009.

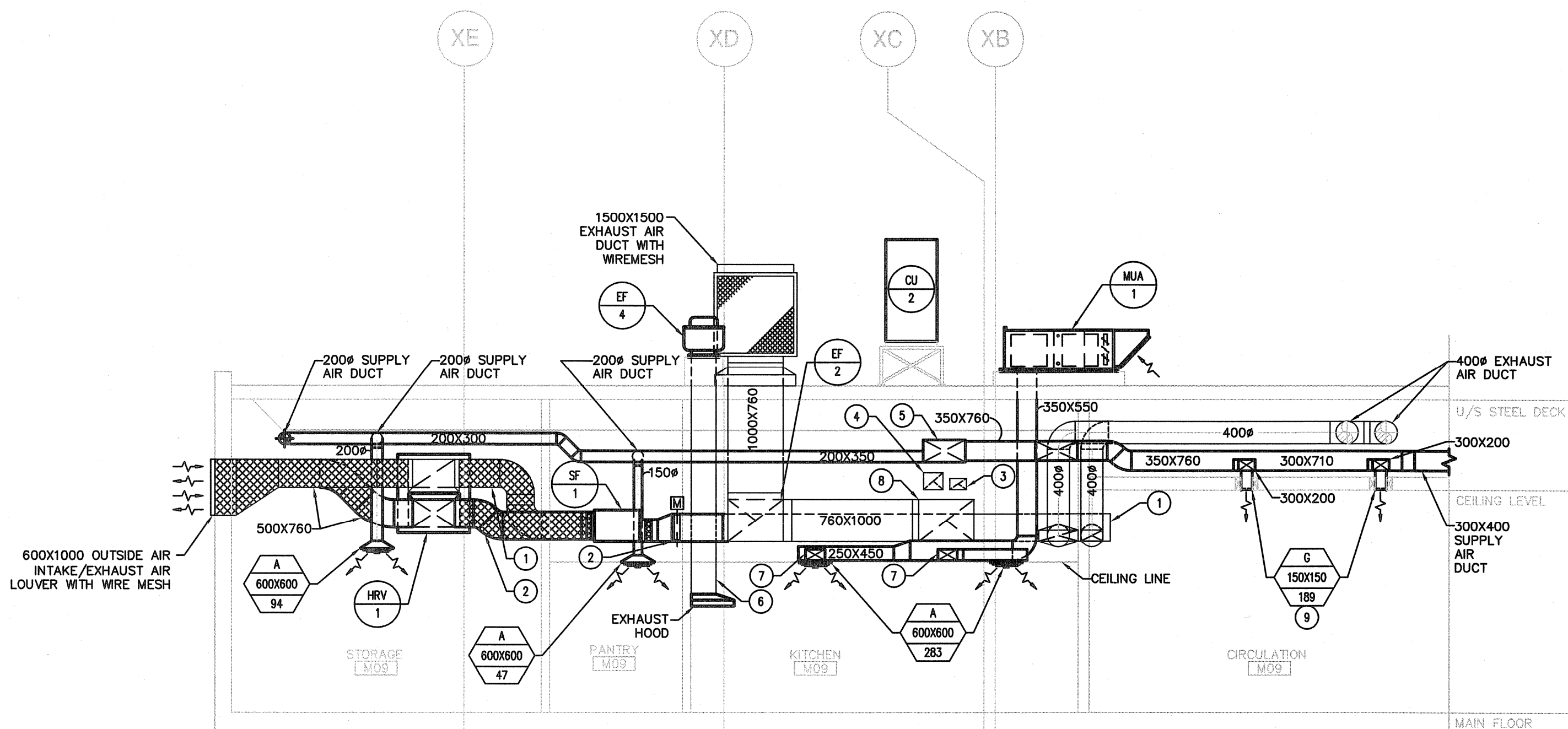
**MCW / AGE**  
Consulting Professional Engineers  
210-1821 Wellington Avenue  
Winnipeg, Manitoba R2W 0G4  
Phone: (204) 779-7800 Fax: (204) 779-1119  
E-Mail: mcw\_age@mcw.com  
5878

**harold funk architect inc.**  
Harold Funk Architect Inc.  
Architecture and Urban Design  
401-55 Donald Street, Winnipeg, Manitoba R3C 1L8  
T (204) 943-5587 info@funkarchitect.com  
F (204) 949-9231 funkarchitect.com

project  
**SINCLAIR COMMUNITY CENTRE**  
ADDITION & RENOVATIONS  
490 Sinclair Street, Winnipeg

sheet title  
**DETAILS AND MECHANICAL SECTIONS**

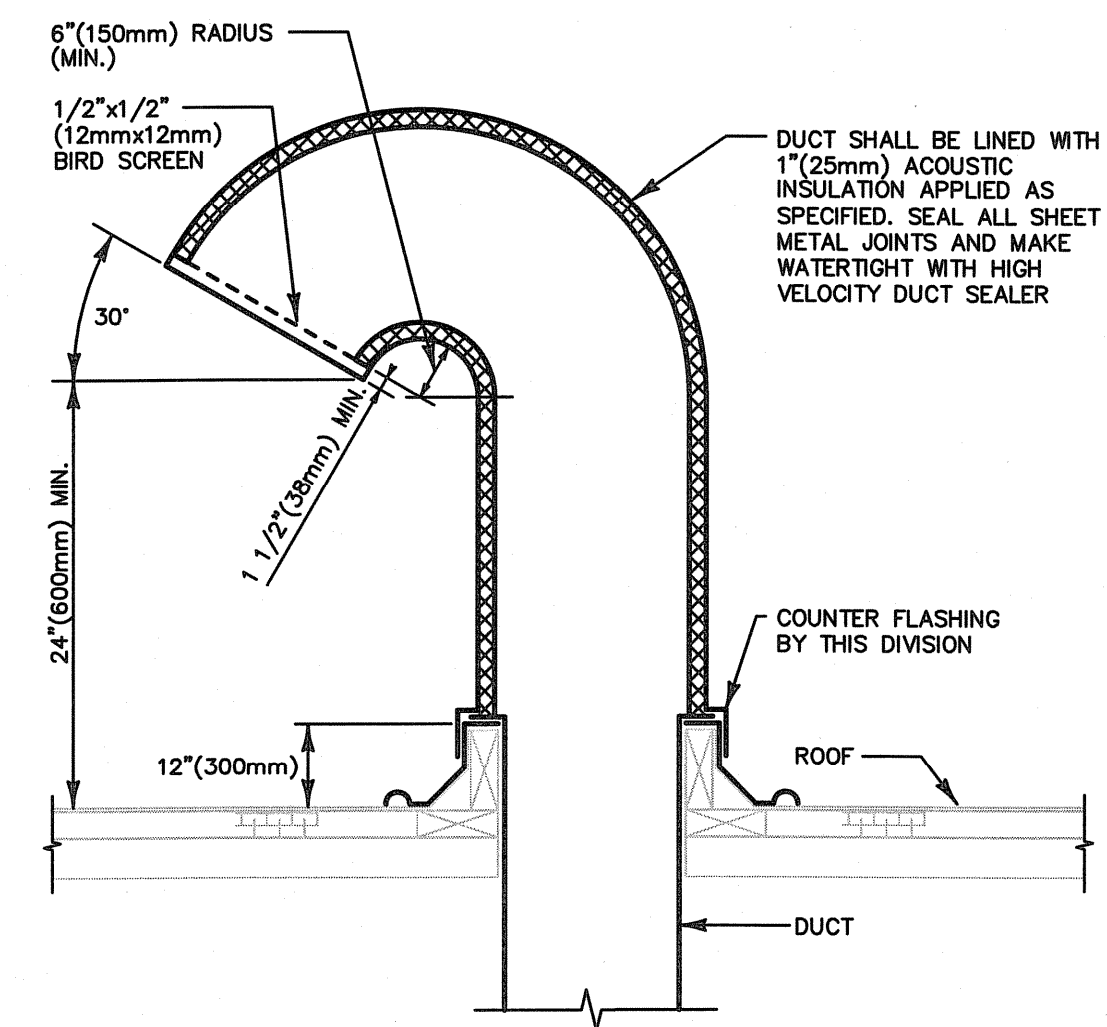
project number: 5878 drawing number:  
scale: N.T.S. **M8.1**  
drawn by: KLG  
approved by: GSR  
date: 2010-02-26



4 MECHANICAL SECTION  
MB.1 SCALE: 1:75

**DRAWING NOTES:**

- 500X760 EXHAUST AIR DUCT.
- 500X760 FRESH AIR DUCT.
- 300X200 EXHAUST AIR DUCT.
- 350X300 EXHAUST AIR DUCT.
- 760X400 SUPPLY AIR DUCT.
- 450X450 EXHAUST AIR DUCT.
- 350X200 SUPPLY AIR DUCT.
- 1000X760 EXHAUST AIR DUCT.
- DIFFUSERS TO BE COORDINATED WITH CEILING STRUCTURE.



NOTE:  
1. DETAIL TYPICAL FOR GENERAL EXHAUST ONLY  
2. KITCHEN EXHAUST GOOSENECK TO BE EXTERNALLY INSULATED AND WEATHERPROOFED  
3. FRESH AIR INTAKE GOOSENECKS; NO INSULATION REQUIRED ON DUCTWORK EXTERIOR TO BUILDING

5 GOOSENECK DETAIL  
MB.1 SCALE: NTS