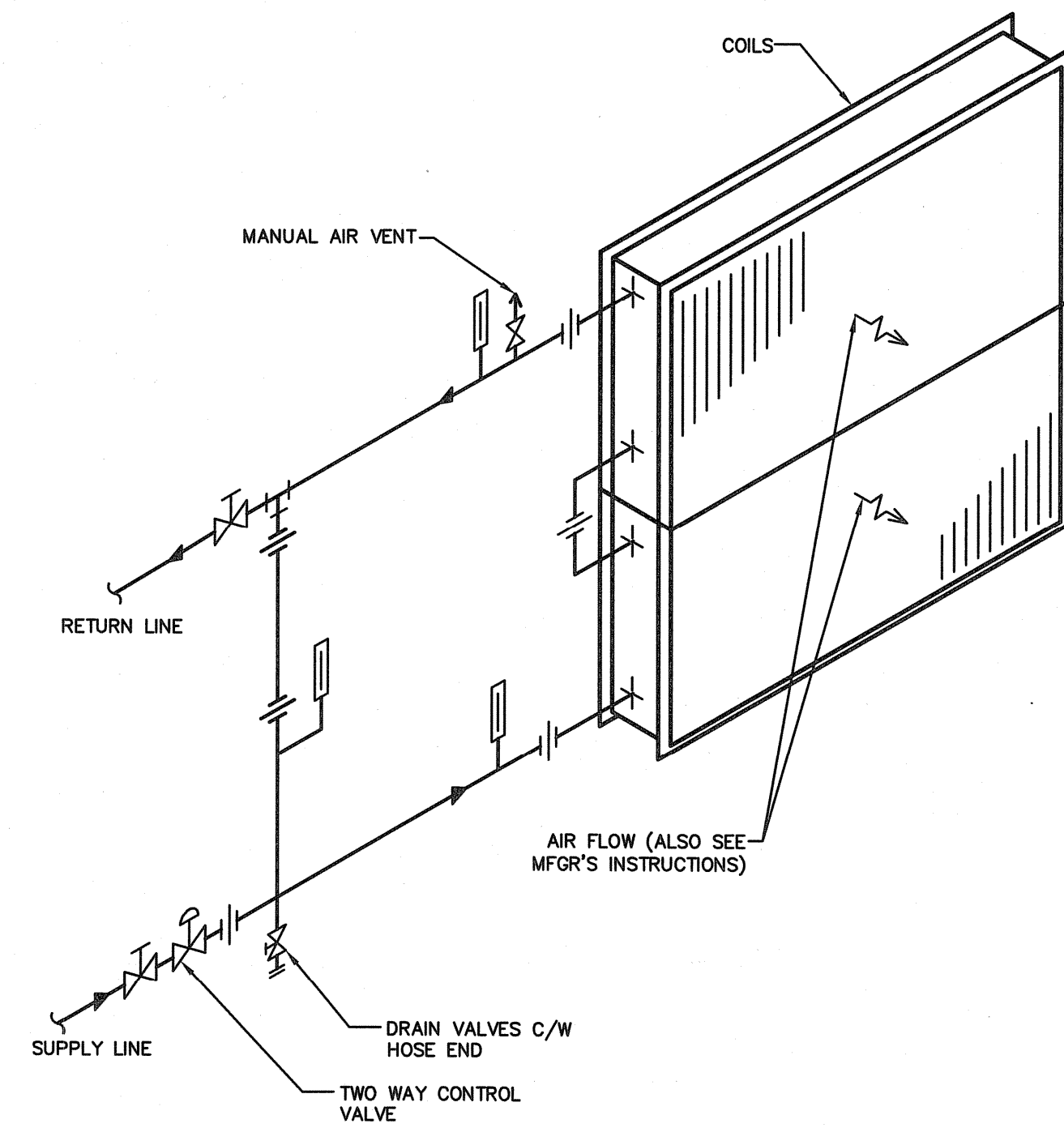
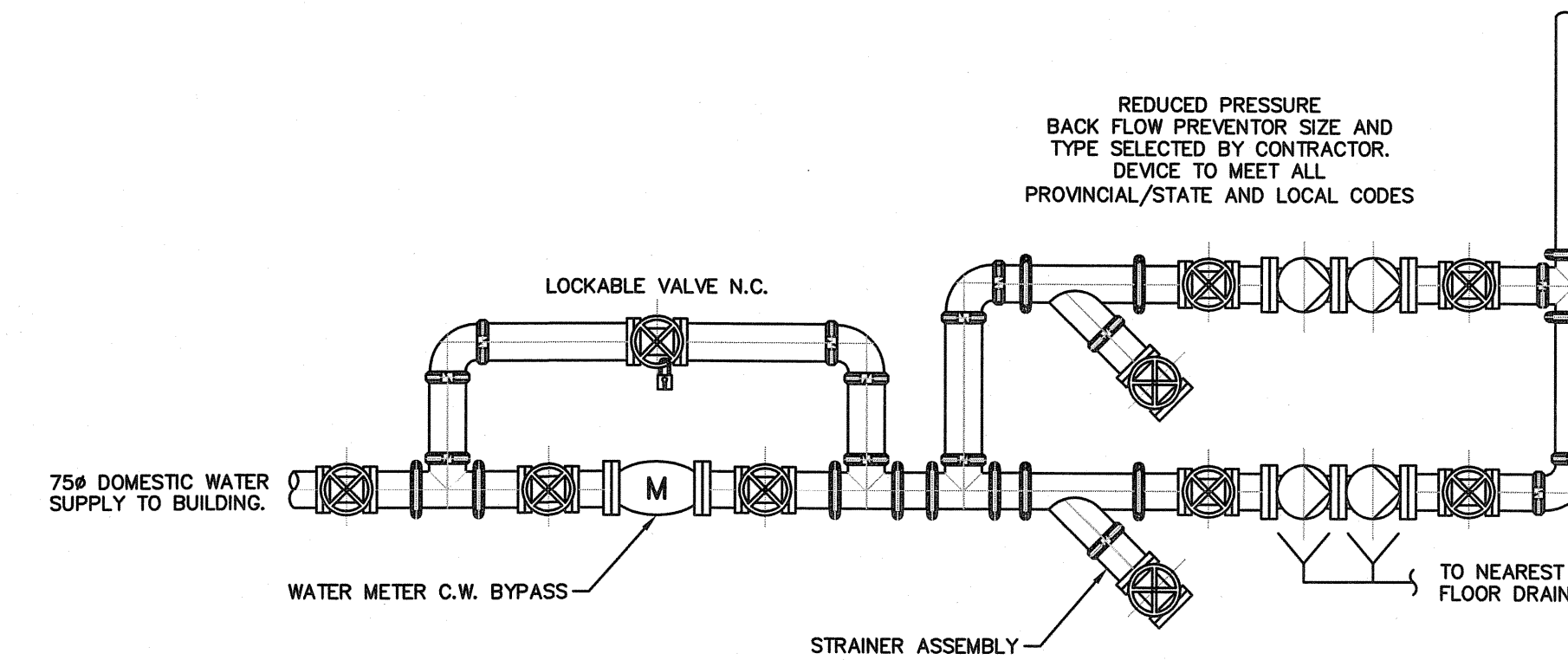


NOTES:
 1. SIZE ACCESS DOORS TO ALLOW SUFFICIENT CLEARANCE FOR COIL MAINTENANCE. FOR COIL SIZES SMALLER THAN 12"x12" (300mmx300mm) PATCH TYPE ACCESS DOORS MAY BE USED.

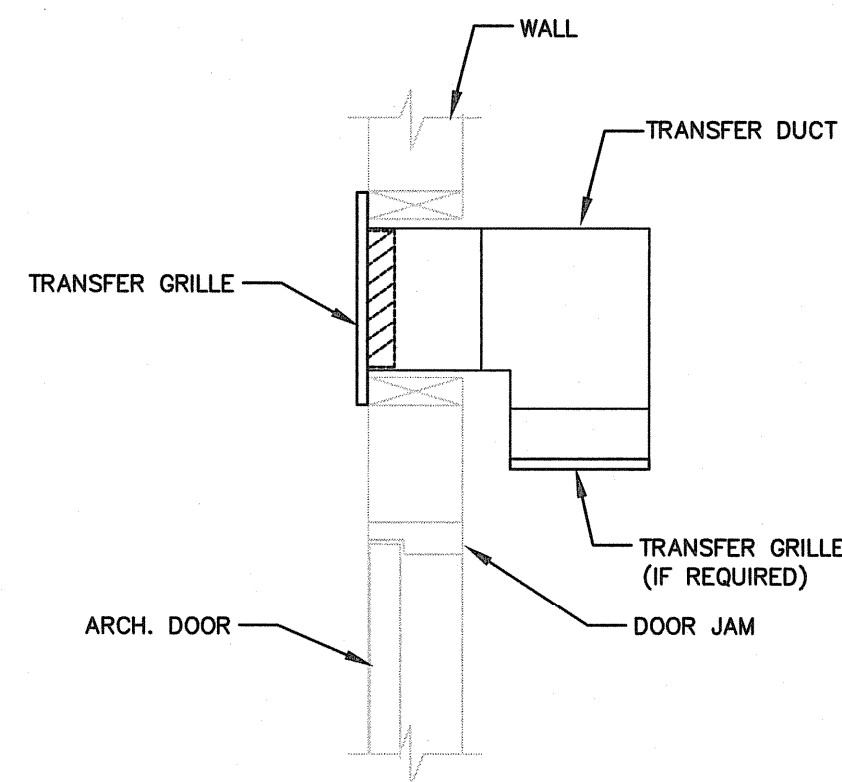
1 GLYCOL HEATING COIL DETAIL
 M7.1 SCALE: NTS



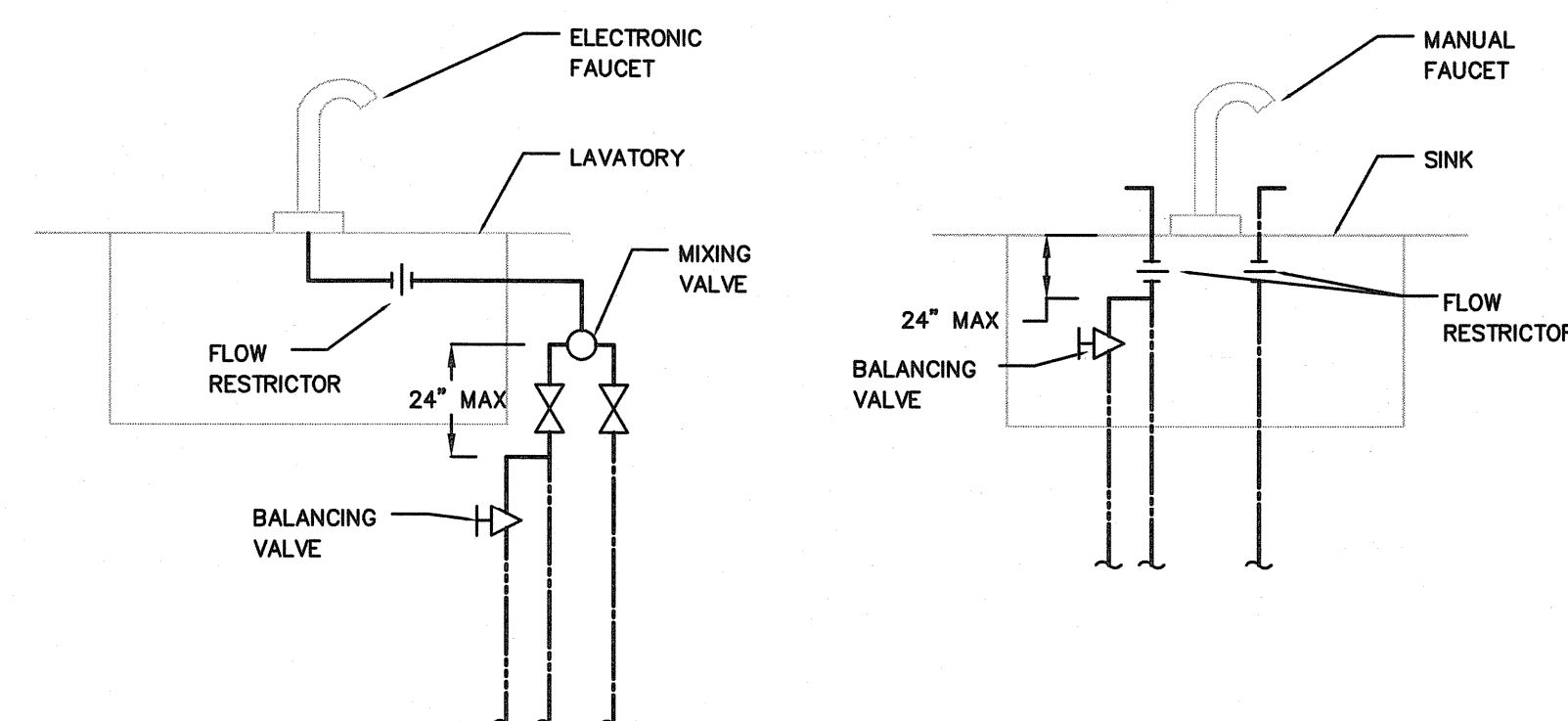
2 GLYCOL PIPING FOR HEATING COIL DETAIL (AHU-2)
 M7.1 SCALE: NTS



3 DOMESTIC WATER SERVICE DETAIL
 M7.1 SCALE: NTS



4 TRANSFER DUCT DETAIL
 M7.1 SCALE: NTS



5 TYPICAL DOMESTIC WATER TO FIXTURE DETAIL
 M7.1 SCALE: NTS



APEGM
 Certificate of Authorization
 MCW/AGE Consulting
 Professional Engineers
 No. 589 Expiry: April 30, 2010

D ISSUED FOR TENDER	FEB 26, 2010
C ISSUED FOR 99% REVIEW	FEB 10, 2010
B ISSUED FOR 90% REVIEW	JAN 08, 2010
A ISSUED FOR 60% REVIEW	DEC 02, 2009

This drawing must not be scaled.
 The general Contractor must verify all dimensions, datums and levels prior to commencement of work. All errors and omissions must be reported immediately to the Architect.
 Variations and modifications to work shown on this drawing shall not be carried out without written permission from the Architect.
 This drawing is the exclusive property of the Architect and cannot be reproduced without written permission of the Architect. Reproduction must bear the name of the Architect. Copyright © 2009.

MCW / AGE
 Consulting Professional Engineers
 210-1821 Wellington Avenue
 Winnipeg, Manitoba, R3M 0G4
 Phone - (204) 779-7800 Fax - (204) 779-1119
 E-Mail: mcw_age@mcw.com
 5878



project
SINCLAIR COMMUNITY CENTRE ADDITION & RENOVATIONS
 490 Sinclair Street, Winnipeg

sheet title
DETAILS

project number: 5878 drawing number:
 scale: N.T.S. **M7.1**
 drawn by: KLG
 approved by: GSR
 date: 2010-02-26