

1 BASEMENT PLAN- PLUMBING AND GAS PIPING LAYOUT
M3.1 SCALE: 1:100

GENERAL NOTES:

- THIS DRAWING IS DIAGRAMMATIC ONLY. DO NOT SCALE.
- CONTRACTOR SHALL BE RESPONSIBLE FOR COORDINATING EXACT LAYOUTS, ROUTING ETC.
- PROVIDE ISOLATION VALVES AT ALL GROUPS OF FIXTURES; AND FIXTURE STOPS AT ALL FIXTURES. (PLUMBING ONLY)
- PROVIDE TRAP PRIMERS FOR ALL DRAINS WHICH ENCOUNTER LIMITED USE. IE. FLOOR DRAINS.

DRAWING NOTES:

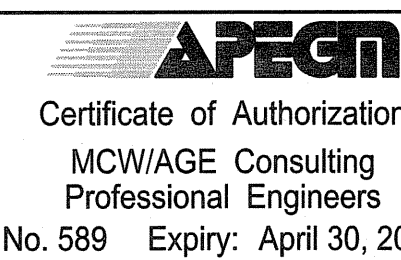
- EXISTING 100# SANITARY SERVICE TO CONNECT TO CITY OF WINNIPEG SANITARY MAIN. REFER TO SITE PLAN FOR CONTINUATION.
- 100# DOMESTIC WATER SERVICE TO CONNECT TO CITY OF WINNIPEG WATER MAIN. REFER TO SITE PLAN FOR CONTINUATION.
- 50# PRESSURE PIPE CONNECT TO SANITARY RISER.
- 400X400 CATCH BASIN.
- WATER METER. REFER TO WATER METER DETAIL #3/M7.1 & #3/M3.1.
- TYPICAL DOMESTIC HOT WATER TANK SPECIFIED. REFER TO DETAIL #2/M3.1.
- TYPICAL ELEVATOR SUMP PUMP LOCATED IN PIT.
- CONCENTRIC REDUCER 100#X75#
- DOMESTIC HOT WATER RECIRCULATION PUMP AS SPECIFIED. REFER TO DRAWING ME1.2 FOR DETAILS.
- NATURAL GAS PIPING TO SERVE BOILERS B-1 AND B-2. REFER TO DRAWING M4.1 FOR EXACT LOCATION OF BOILERS.
- DOMESTIC COLD, HOT AND RECIRC. PIPING RUNNING IN BASEMENT CEILING SPACE.
- 50# PRESSURE PIPE TO MAIN FLOOR.
- BACKFLOW PREVENTOR ASSEMBLY.
- EXISTING 100# SANITARY PIPE UNDER SLAB TO REMAIN.
- 32# GAS PIPE UP TO MAIN FLOOR.
- 65# GAS PIPE FROM GAS METER @ 7" W.C.
- 100# SANITARY PIPE UNDER SLAB.
- 100# SANITARY PIPE RUNNING AT HIGH LEVEL.
- NEW 100# SANITARY UNDER SLAB.
- WEeping TILES SUMP PIT AND PUMPS.
- 12# TO GLYCOL SYSTEM C/W RPP BACKFLOW PREVENTOR.
- 12# TO HUMIDIFIER SYSTEM.

PLUMBING FIXTURE CONNECTION SIZES

FIXTURE DESCRIPTION	SANITARY CONNECTION		DOMESTIC COLD H ₂ O CONNECTION		DOMESTIC HOT H ₂ O CONNECTION	
	INCHES	MM	INCHES	MM	INCHES	MM
WATER CLOSET WITH FLUSH TANK	3	75	0.5	12		
LAVATORY	1.25	32	0.5	12	0.5	12
URINAL	2	50	0.75	19		
SHOWER	2 or 3	50 or 75	0.75	19	0.5	12
SINK (SINGLE COMPARTMENT)	1.5	38	0.5	12	0.5	12
KITCHEN SINK (TRIPLE COMPARTMENT)	2	50	0.75	19	0.75	19
DRINKING FOUNTAIN	1.25	32	0.5	12		
MOP SINK (FLOOR MOUNTED)	3	75	0.5	12	0.5	12

BUILDING PLUMBING SERVICES

FIXTURE DESCRIPTION	QTY	SANITARY FIXTURE UNITS	TOTAL SANITARY FIXTURE UNITS	DOMESTIC H ₂ O FIXTURE UNITS PER FIXTURE		TOTAL DOMESTIC H ₂ O FIXTURE UNITS	
				COLD H ₂ O	HOT H ₂ O	COLD H ₂ O	HOT H ₂ O
WATER CLOSET WITH FLUSH TANK	14	4	56	5		70	
LAVATORY	12	1.25	15	2	2	24	24
URINAL	2	2	4	5		10	
SHOWER (1 HEAD) "RESIDENTIAL"	2	1.5	3	4	4	8	8
SINK (SINGLE COMPARTMENT)	2	1.5	3	2	2	4	4
KITCHEN SINK (TRIPLE COMPARTMENT)	1	2 W/ 2" TRAP 3 W/ 3" TRAP	3	4	4	4	4
DRINKING FOUNTAIN	1	1	1	1		1	
MOP SINK (FLOOR MOUNTED)	2	3	6	3	3	6	6
HOSE BIBB	3			7		21	
2" FLOOR DRAIN	7	2	14				
3" FLOOR DRAIN	5	3	15				
4" FLOOR DRAIN	1	4	4				
TOTAL FIXTURE UNITS			120			146	44
						COMBINED HOT & COLD	190
PEAK FLOW RATE GPM (l/s)			49 (3.09)	PEAK FLOW RATE GPM (l/s)			64 (4.03)



D ISSUED FOR TENDER FEB 26, 2010
 C ISSUED FOR 99% REVIEW FEB 10, 2010
 B ISSUED FOR 90% REVIEW JAN 08, 2010
 A ISSUED FOR 60% REVIEW DEC 02, 2009

This drawing must not be scaled.

The general Contractor must verify all dimensions, datums and levels prior to commencement of work. All errors and omissions must be reported immediately to the Architect.

Variations and modifications to work shown on this drawing shall not be carried out without written permission from the Architect.

This drawing is the exclusive property of the Architect and cannot be reproduced without written permission of the Architect. Reproduction must bear the name of the Architect. Copyright © 2009.

MCW / AGE
 Consulting Professional Engineers
 215-1821 Wellington Avenue
 Winnipeg, Manitoba, R3M 0G4
 Phone: (204) 778-7500 Fax: (204) 778-1119
 E-Mail: mcw_age@mcw.com

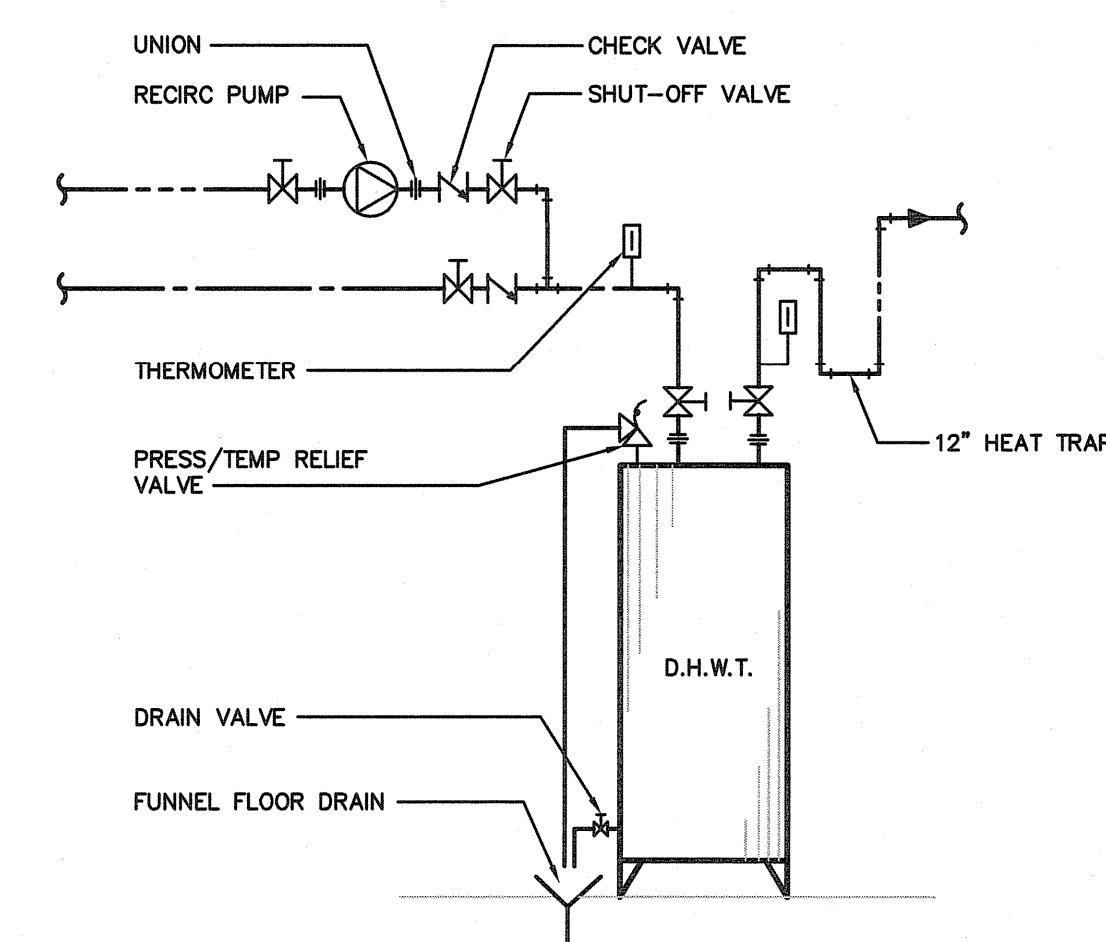
5878



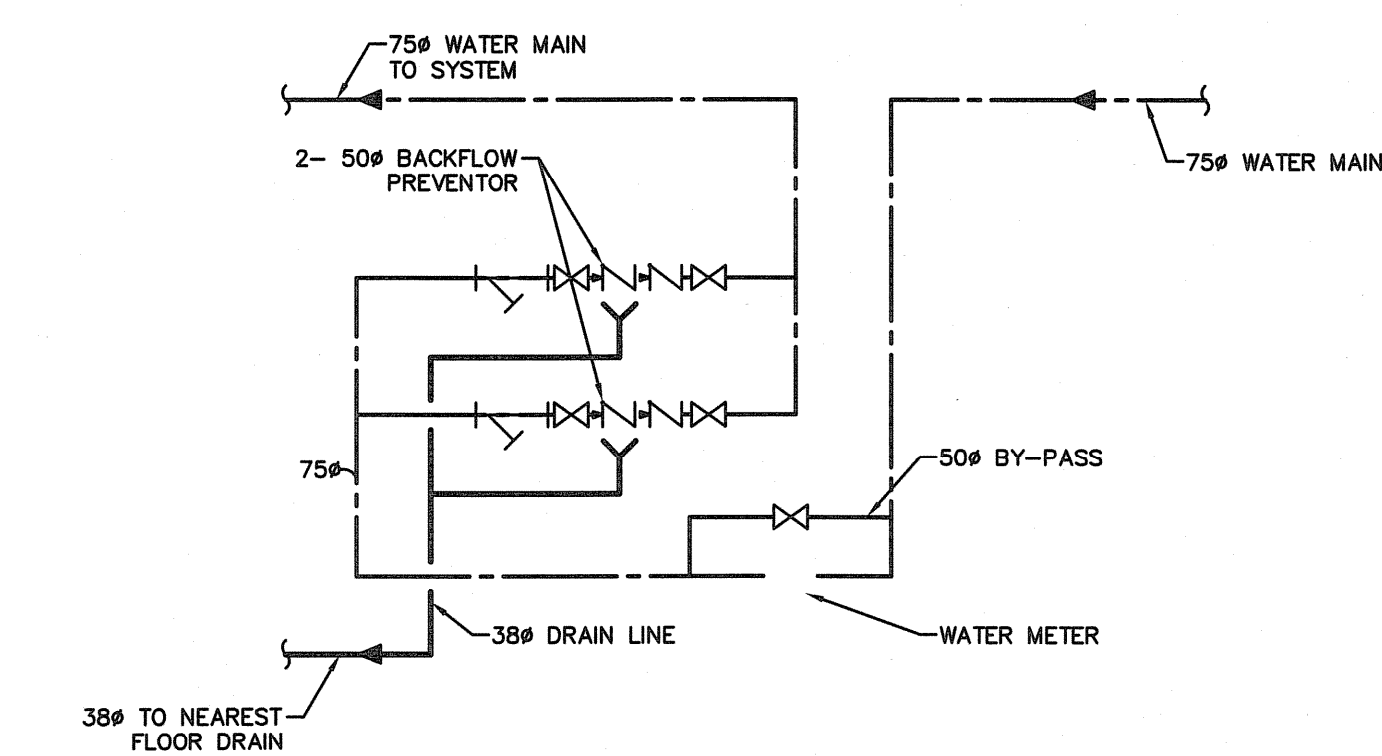
project
SINCLAIR COMMUNITY CENTRE ADDITION & RENOVATIONS
 490 Sinclair Street, Winnipeg

sheet title
BASEMENT PLAN- PLUMBING AND GAS PIPING LAYOUT

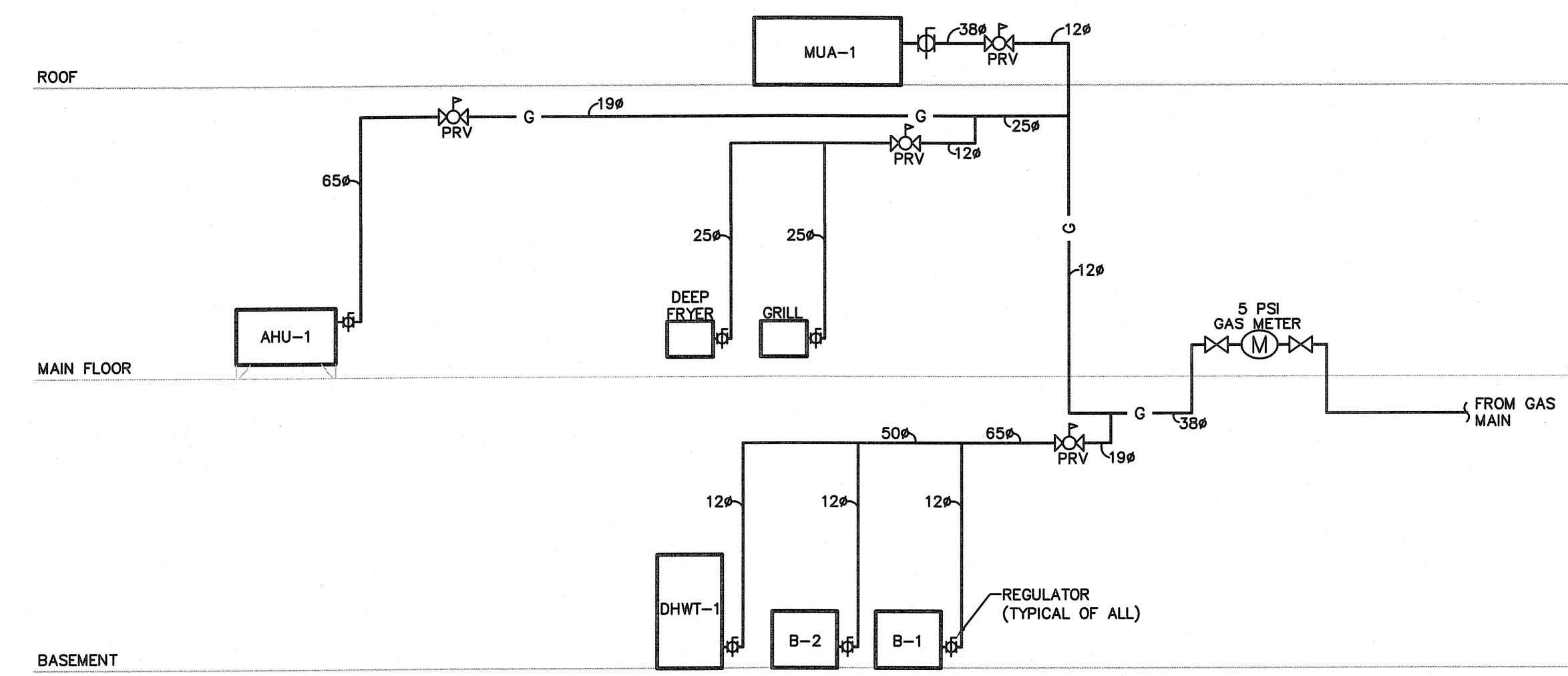
project number: 5878 drawing number: **M3.1**
 scale: N.T.S.
 drawn by: KLG
 approved by: GSR
 date: 2010-02-26



2 DOMESTIC HOT WATER TANK DETAIL
M3.1 SCALE: NTS



3 WATER METER & BACKFLOW PREVENTER SCHEMATIC DIAGRAM
M3.1 SCALE: NTS



4 GAS PIPING RISER DIAGRAM
M3.1 SCALE: NTS