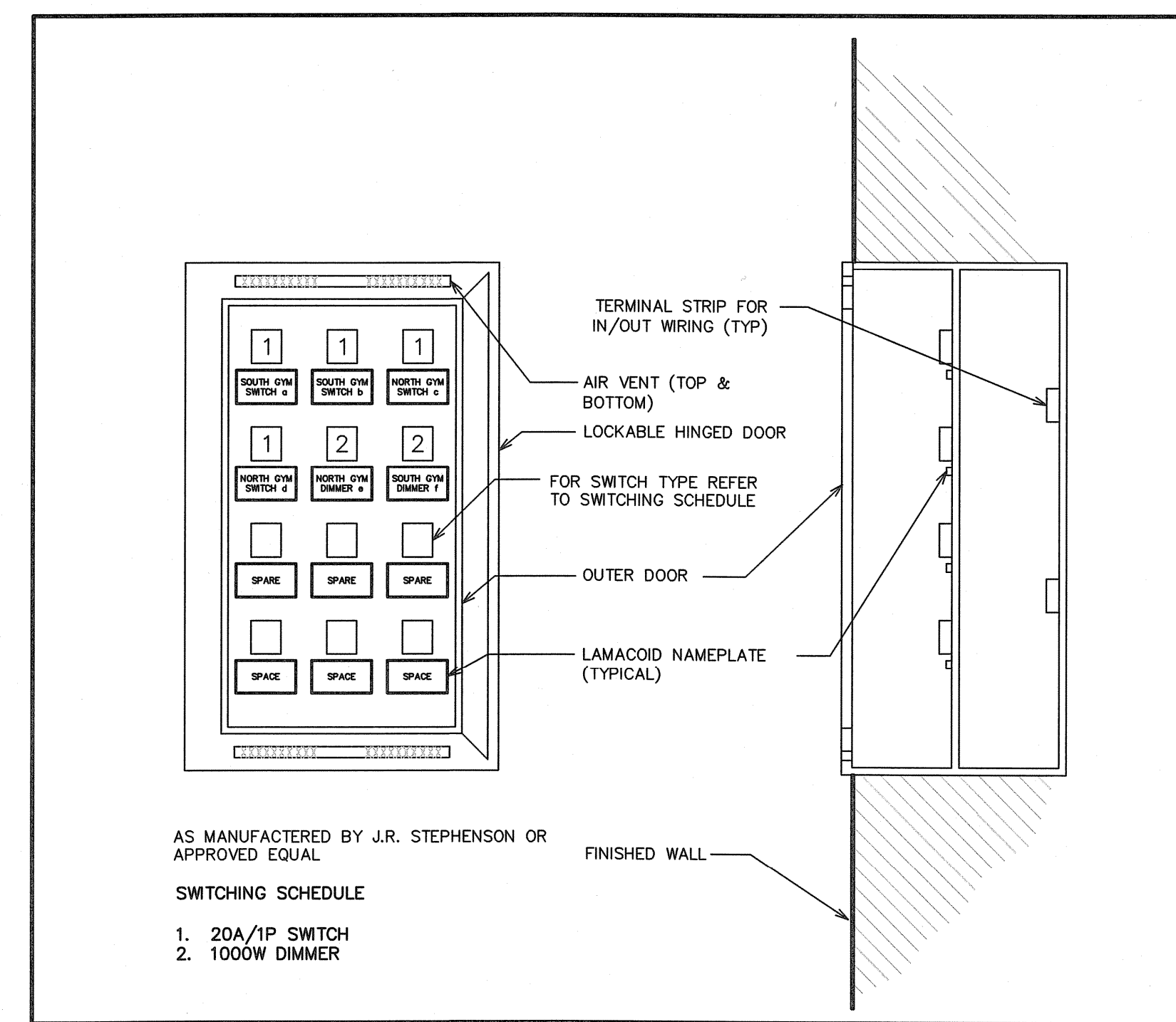


2 J-HOOK/WALL ENTRY DETAIL
E6.2 SCALE: N.T.S.



1 SWITCHING CONTROL PANEL DETAIL
E6.2 SCALE: N.T.S.



APEGM
Certificate of Authorization
MCW/AGE Consulting
Professional Engineers
No. 589 Expiry: April 30, 2010

D ISSUED FOR TENDER FEB 26, 2010
C ISSUED FOR 99% REVIEW FEB 10, 2010
B ISSUED FOR 90% REVIEW JAN 08, 2010
A ISSUED FOR 60% REVIEW DEC 02, 2009

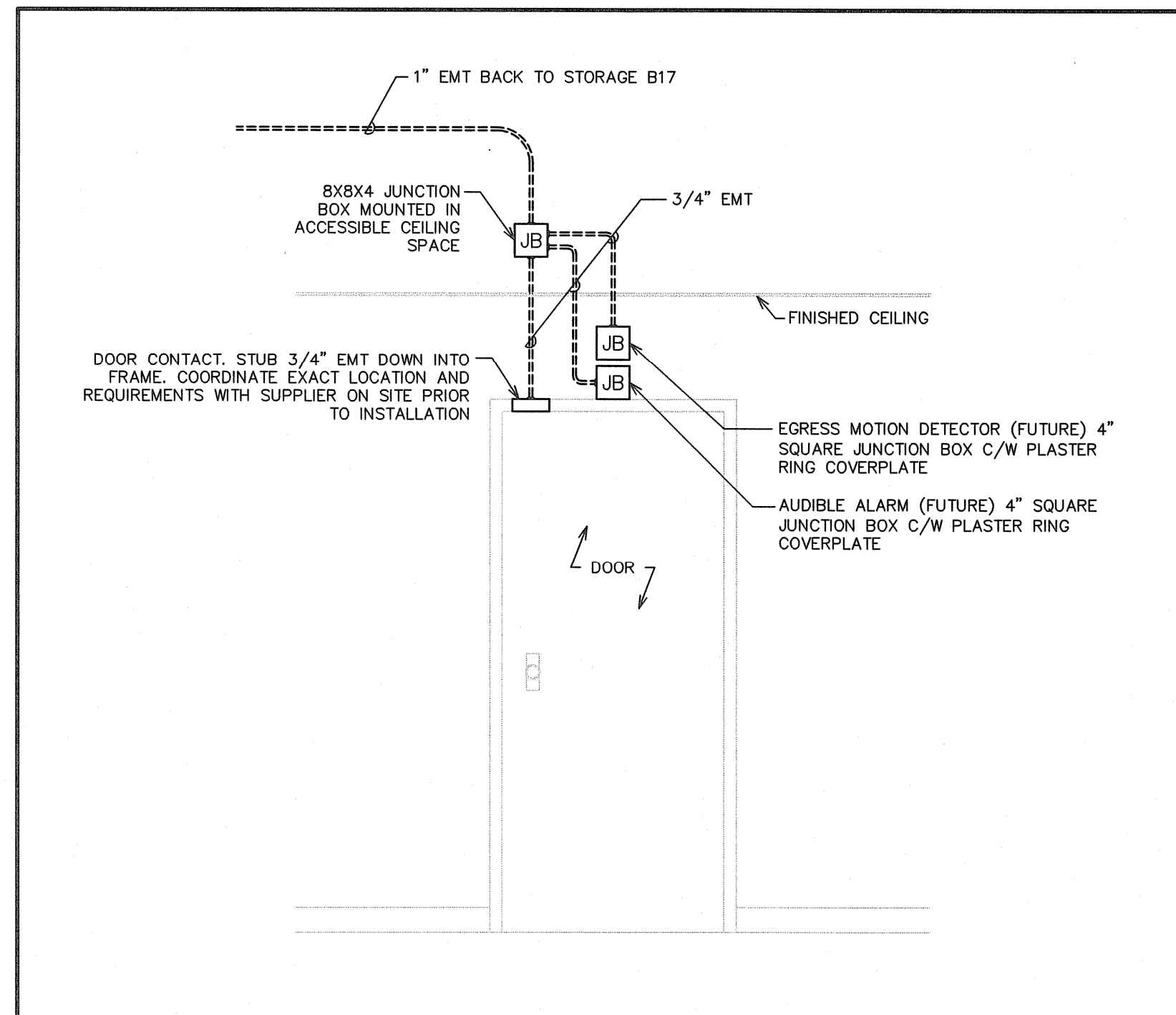
This drawing must not be scaled.

The general Contractor must verify all dimensions, datums and levels prior to commencement of work. All errors and omissions must be reported immediately to the Architect.

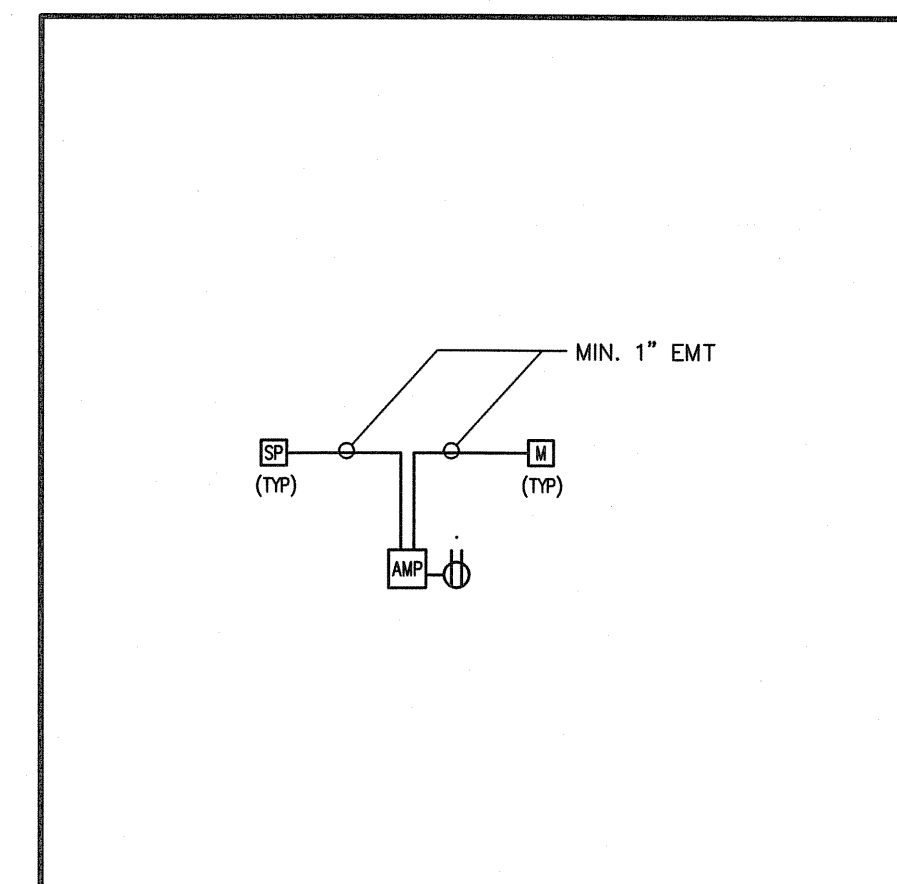
Variations and modifications to work shown on this drawing shall not be carried out without written permission from the Architect.

This drawing is the exclusive property of the Architect and cannot be reproduced without written permission of the Architect. Reproduction must bear the name of the Architect. Copyright © 2009.

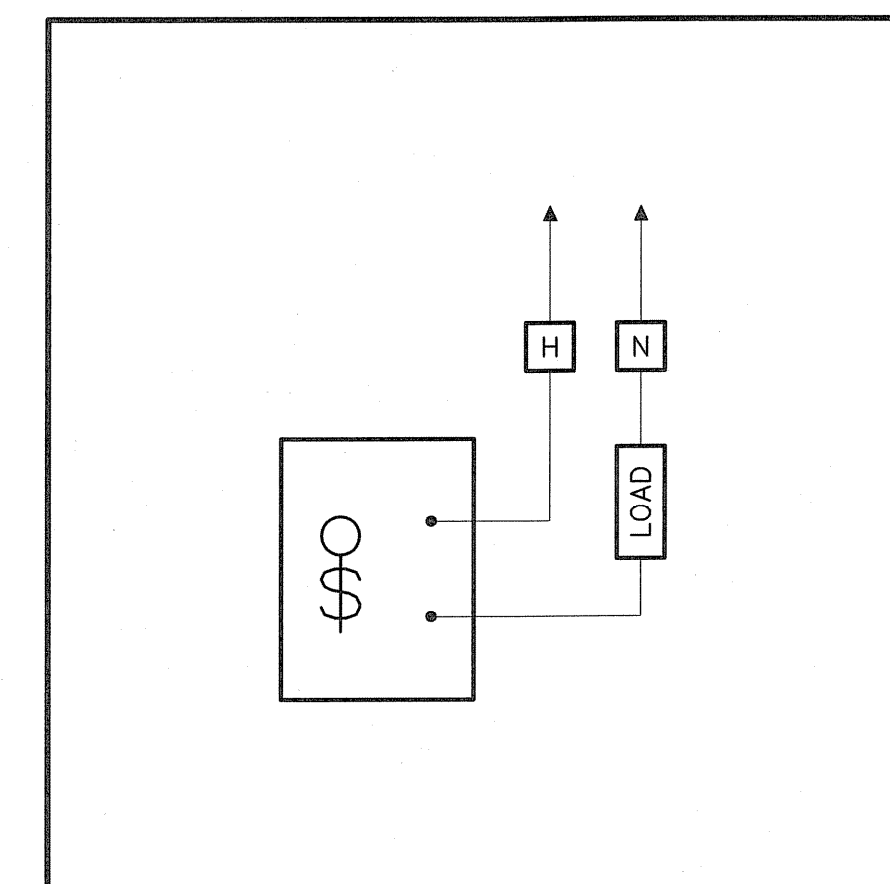
MCW / AGE
Consulting Professional Engineers
210-1621 Wellington Avenue
Winnipeg, Manitoba, R2W 1G4
Phone: (204) 779-7500 Fax: (204) 779-1119
E-Mail: mcw_age@mcw.com
5878



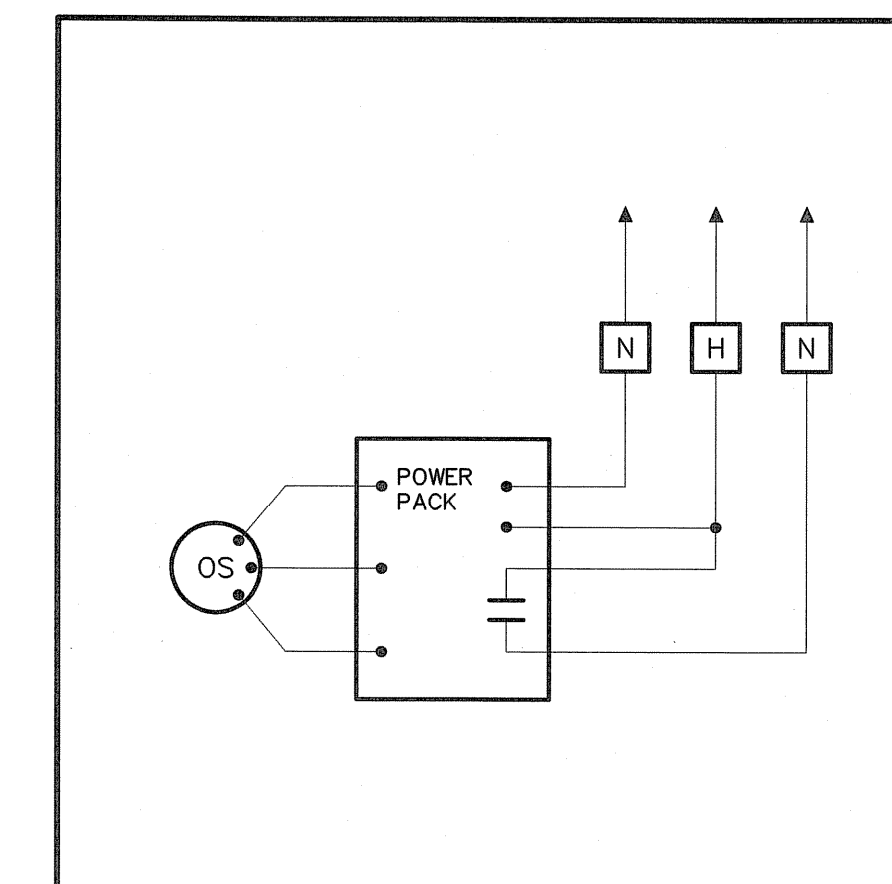
3 TYPICAL MONITORED DOOR DETAIL
E6.2 SCALE: N.T.S.



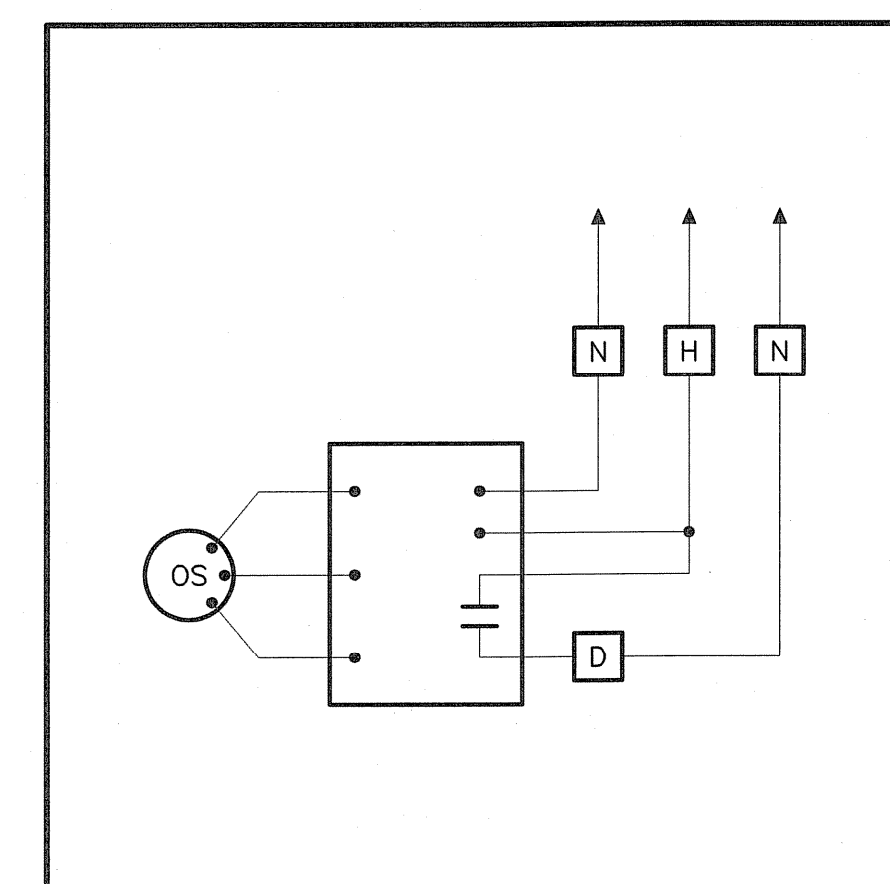
4 GYMNASIUM SOUND SYSTEM RISER DETAIL
E6.2 SCALE: N.T.S.



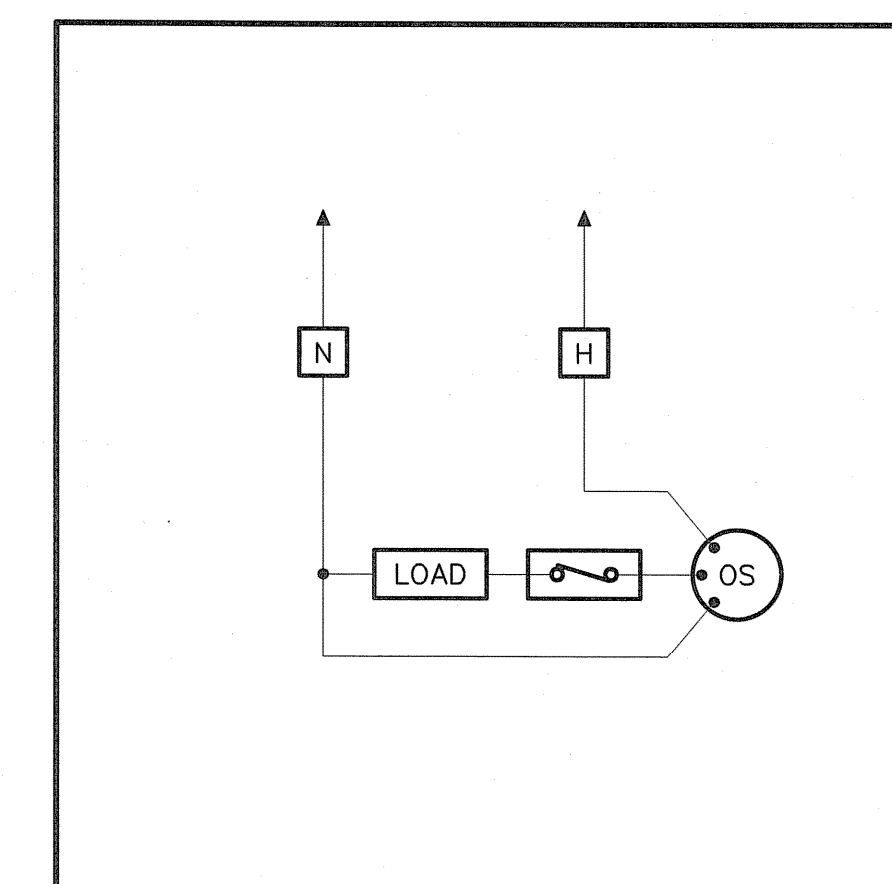
5 TYPICAL WALL SWITCH SENSOR LINE DIAGRAM
E6.2 SCALE: N.T.S.



6 TYPICAL LOW VOLTAGE CEILING SENSOR LINE DIAGRAM
E6.2 SCALE: N.T.S.



7 TYPICAL LOW VOLTAGE CEILING SENSOR C/W MANUAL DIMMER INSTALLATION LINE DIAGRAM
E6.2 SCALE: N.T.S.



8 TYPICAL LINE VOLTAGE 2 POLE HIGH BAY SENSOR LINE DIAGRAM
E6.2 SCALE: N.T.S.

harold funk architect inc.

Harold Funk Architect Inc.
Architecture and Urban Design
401-55 Donald Street, Winnipeg, Manitoba R5C 1L8
T (204) 943-5087 info@funkarchitect.com
F (204) 949-9231 funkarchitect.com

project
**SINCLAIR COMMUNITY CENTRE
ADDITION & RENOVATIONS**
490 Sinclair Street, Winnipeg

sheet title
DETAILS

project number: 5878 drawing number:
scale: N.T.S. **E6.2**
drawn by: P.A.S.
approved by: K.B.G.
date: 2010-02-26