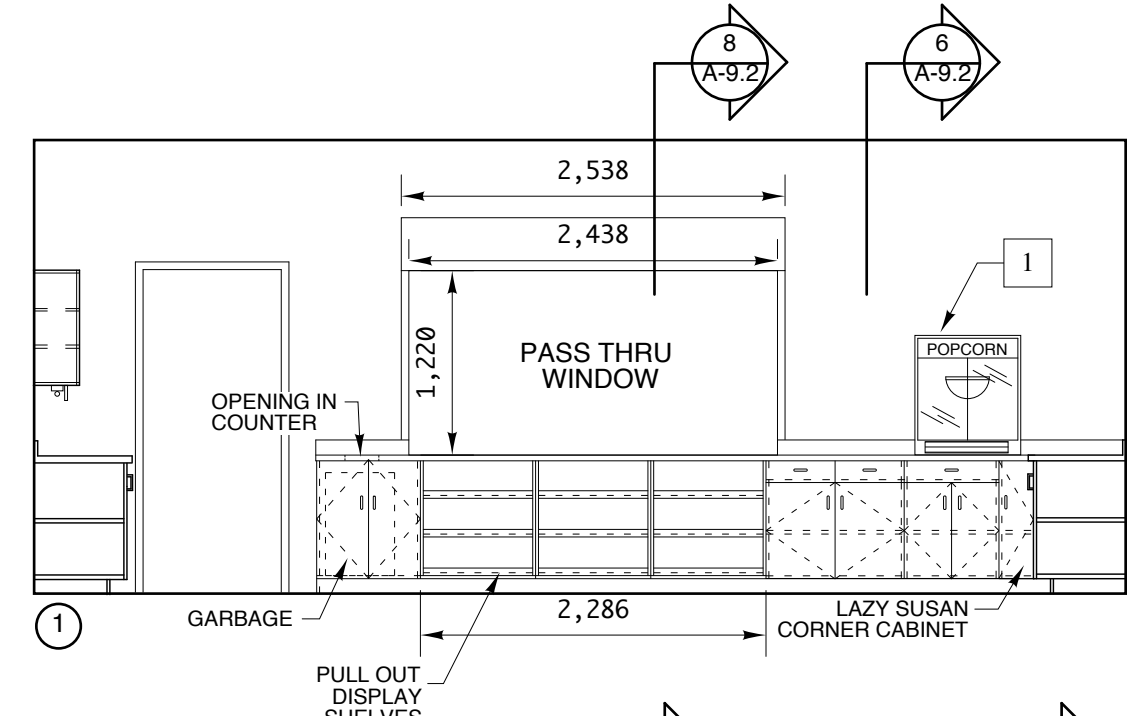
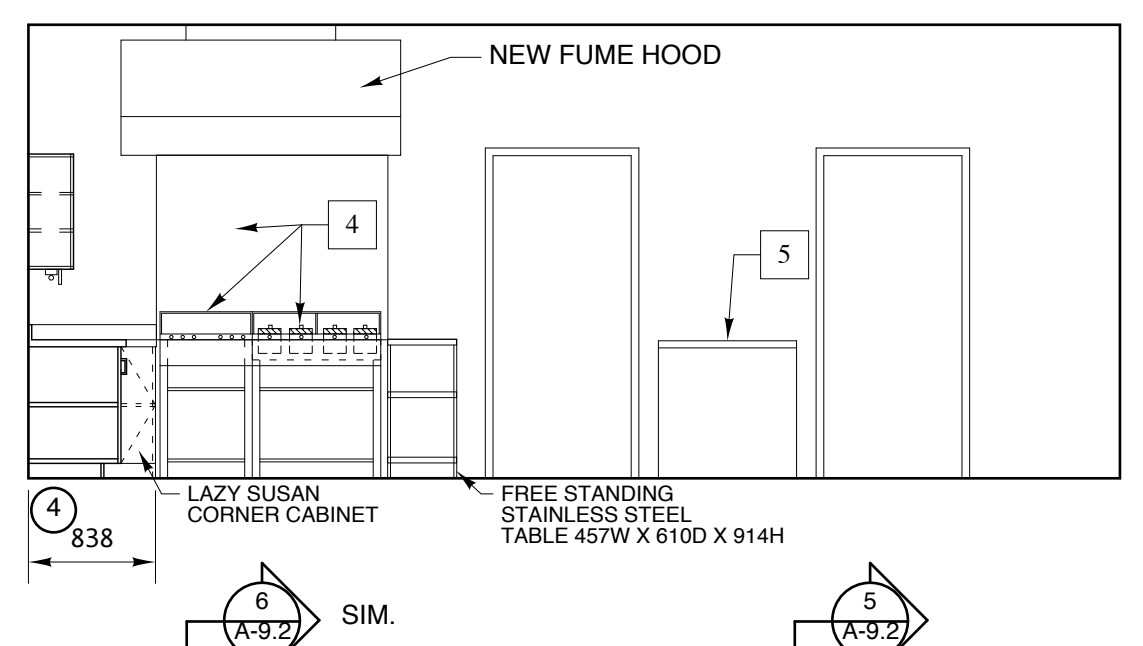


1 ENLARGED KITCHEN PLAN
A-9.2 SCALE 1:50

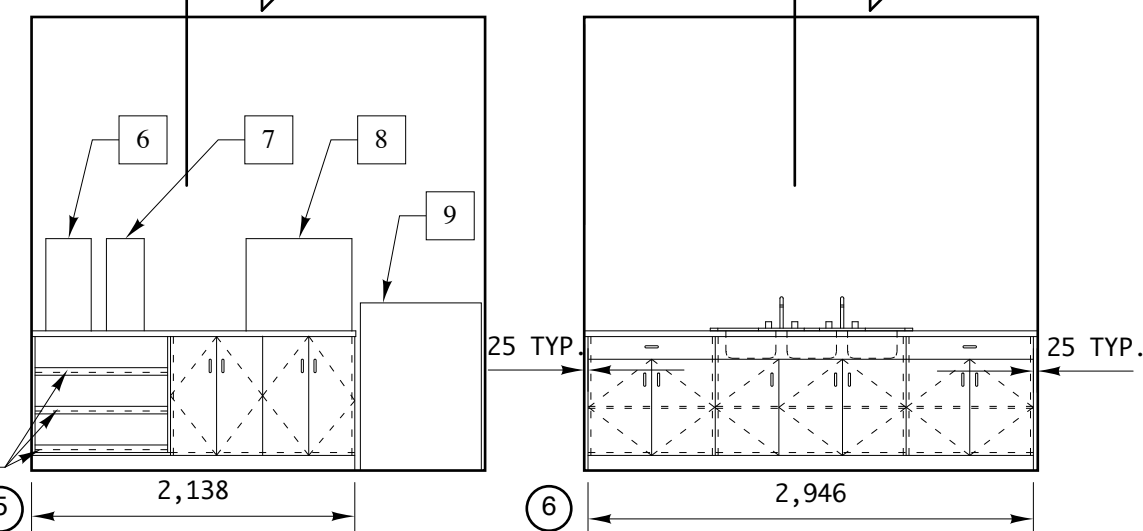
- KEY NOTES:**
- 1 EXISTING POPCORN MACHINE
 - 2 EXISTING TALL COOLER: VERIFY SIZE TO FIT SPACE BEFORE INSTALLING CABINETS
 - 3 EXISTING COUNTERTOP COOLERS
 - 4 EXISTING FREESTANDING GRILL AND DEEP FRYER WITH FUME HOOD AND STEEL BACKSLASH
 - 5 EXISTING CHIP FRYER
 - 6 EXISTING COFFEE MAKER
 - 7 EXISTING HOT CHOCOLATE MAKER
 - 8 EXISTING FOUNTAIN DRINK MACHINE: STORAGE OF FOUNTAIN DRINK TANKS UNDER COUNTER. COUNTERTOP NEEDS OPENING BEHIND FOR TANK HOSES
 - 9 EXISTING ICE MACHINE
 - 10 EXISTING DOUBLE COOLER
 - 11 EXISTING FRIDGE VERIFY SIZE BEFORE INSTALLING CABINETS
 - 12 EXISTING LARGE BAR FRIDGE
 - 13 NEW FOUNTAIN DRINK MACHINE: STORAGE OF FOUNTAIN DRINK TANKS UNDER COUNTER. SPACE NEEDED IN COUNTERTOP FOR HOSES TO COME THROUGH. NOTE: THAT FOUNTAIN DRINK MACHINE NEEDS TO FACE PASS THRU WINDOW



2 KITCHEN ELEVATIONS
A-9.2 SCALE 1:50

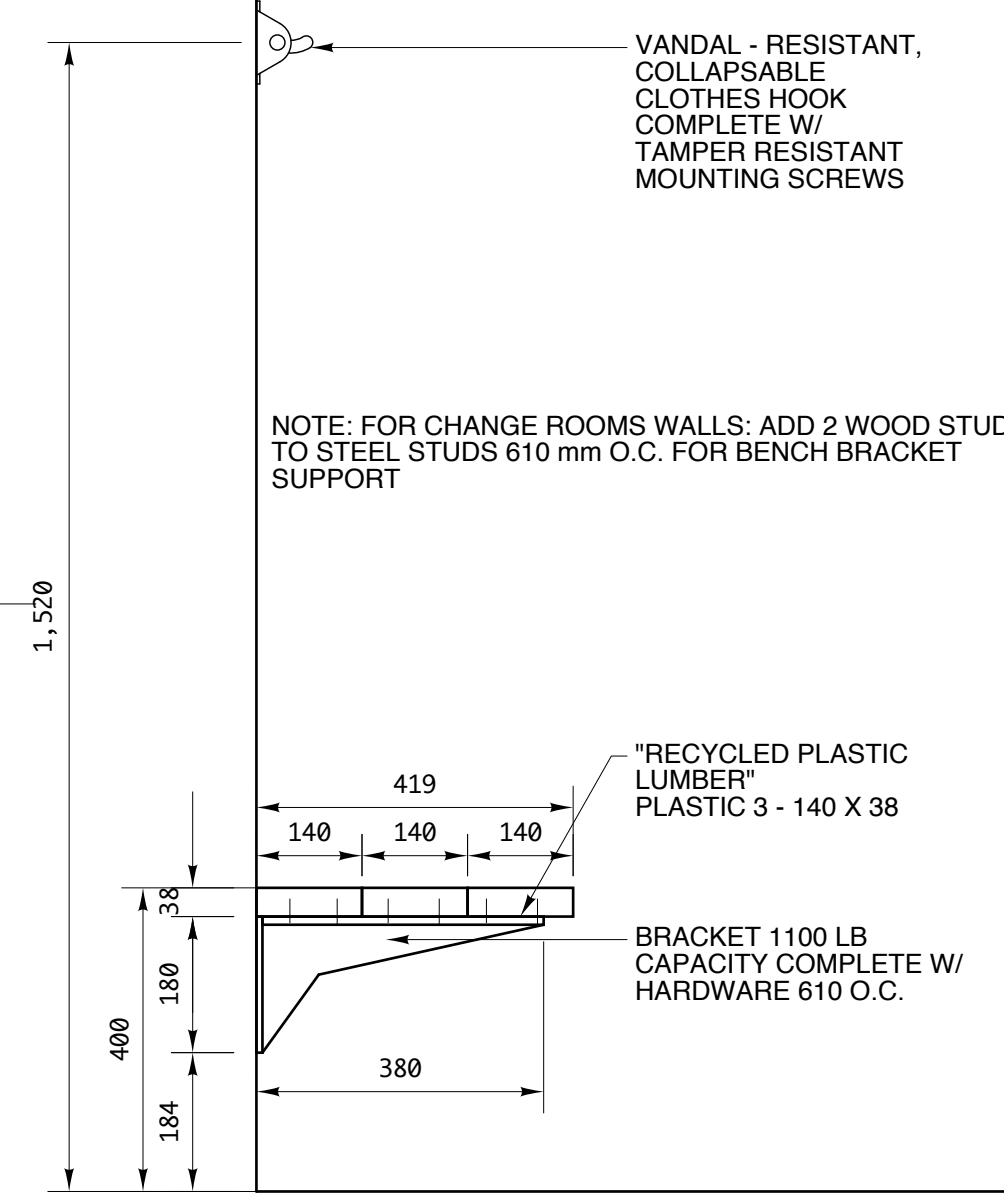


3 LIQUOR ELEVATIONS
A-9.2 SCALE 1:50

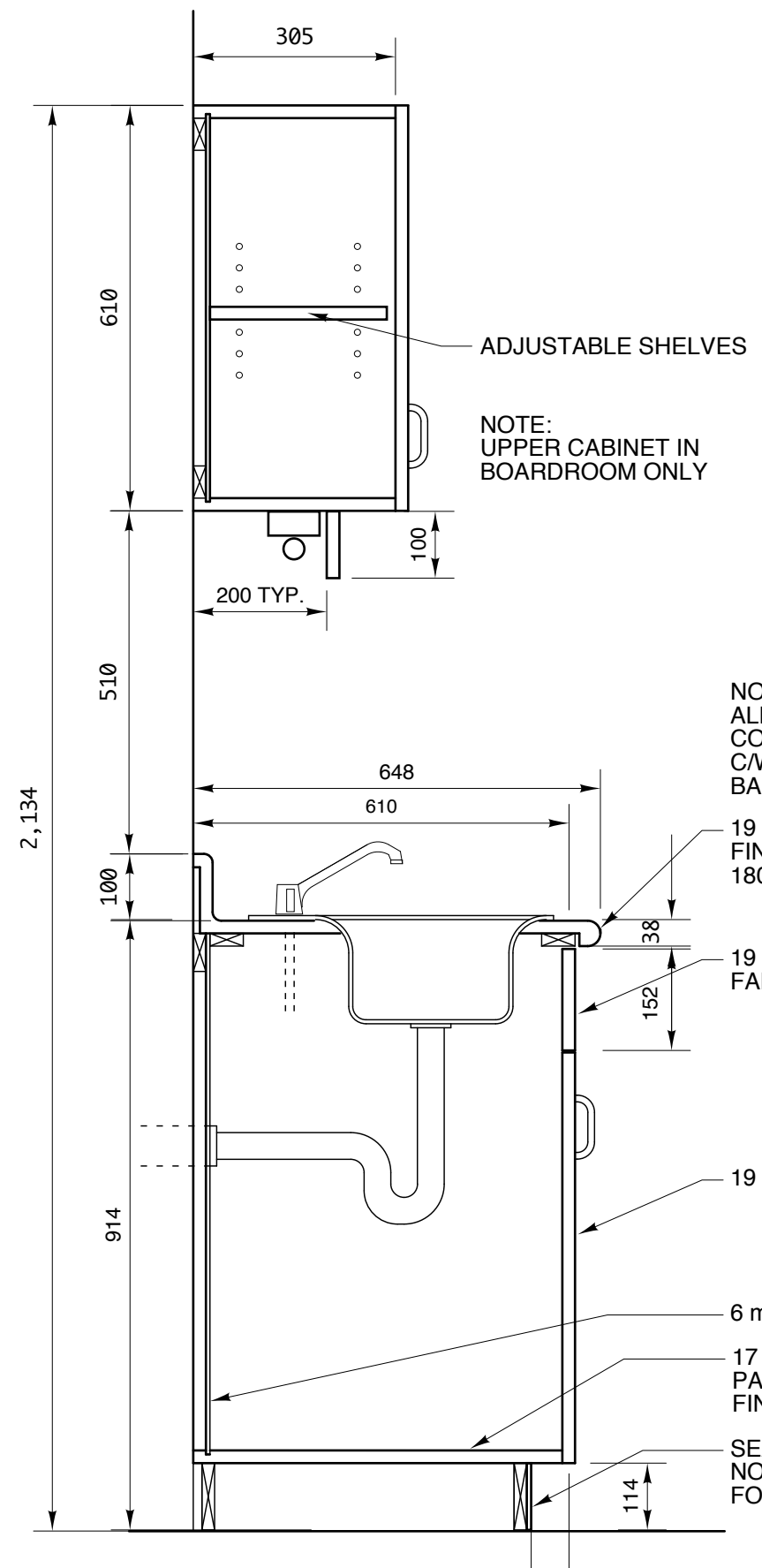


4 PANTRY ELEVATIONS
A-9.2 SCALE 1:10

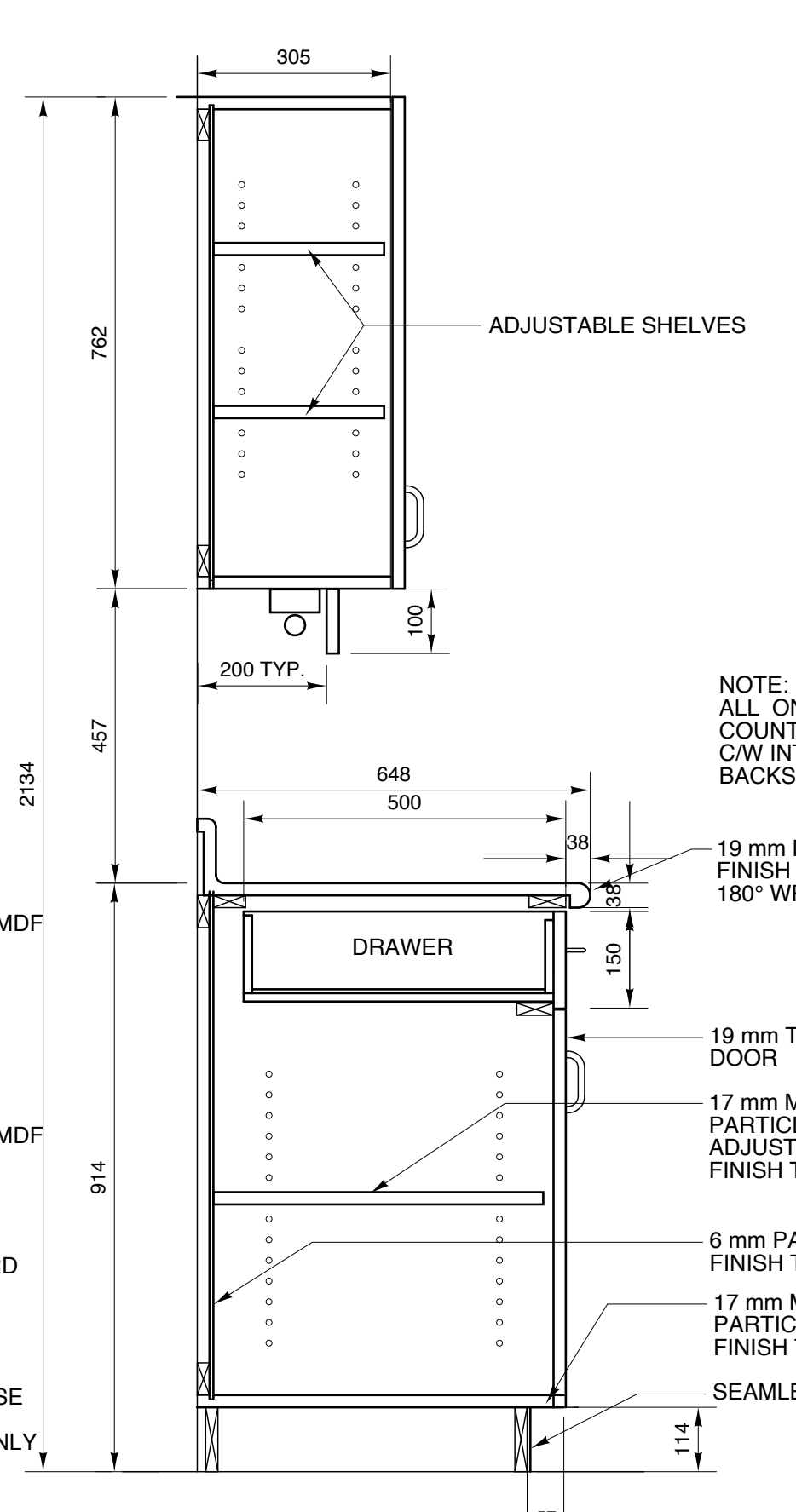
NOTE: ALL DIMENSIONS ARE FINISH TO FINISH



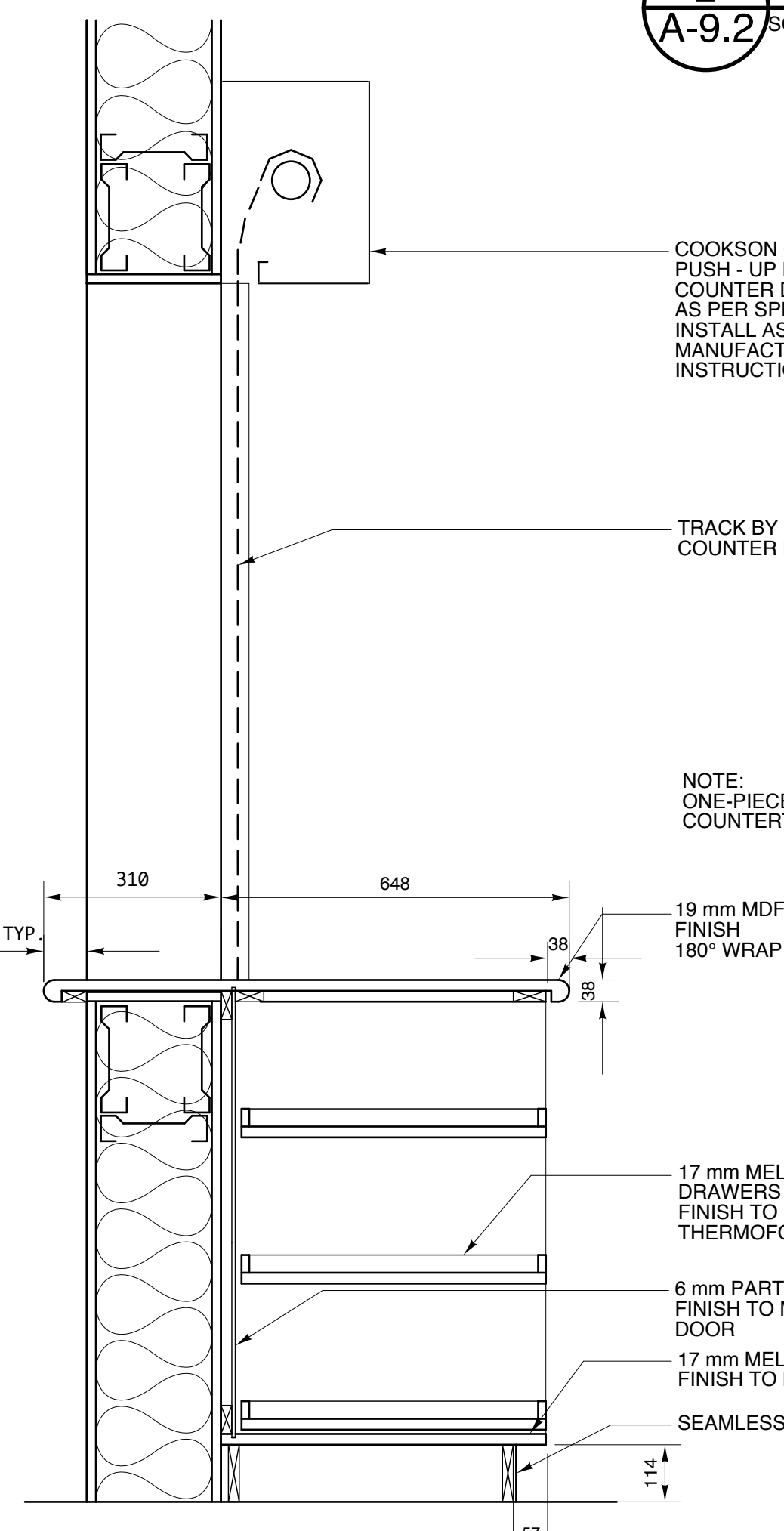
10 BENCH & HOOK SECTION
A-9.2 SCALE 1:10



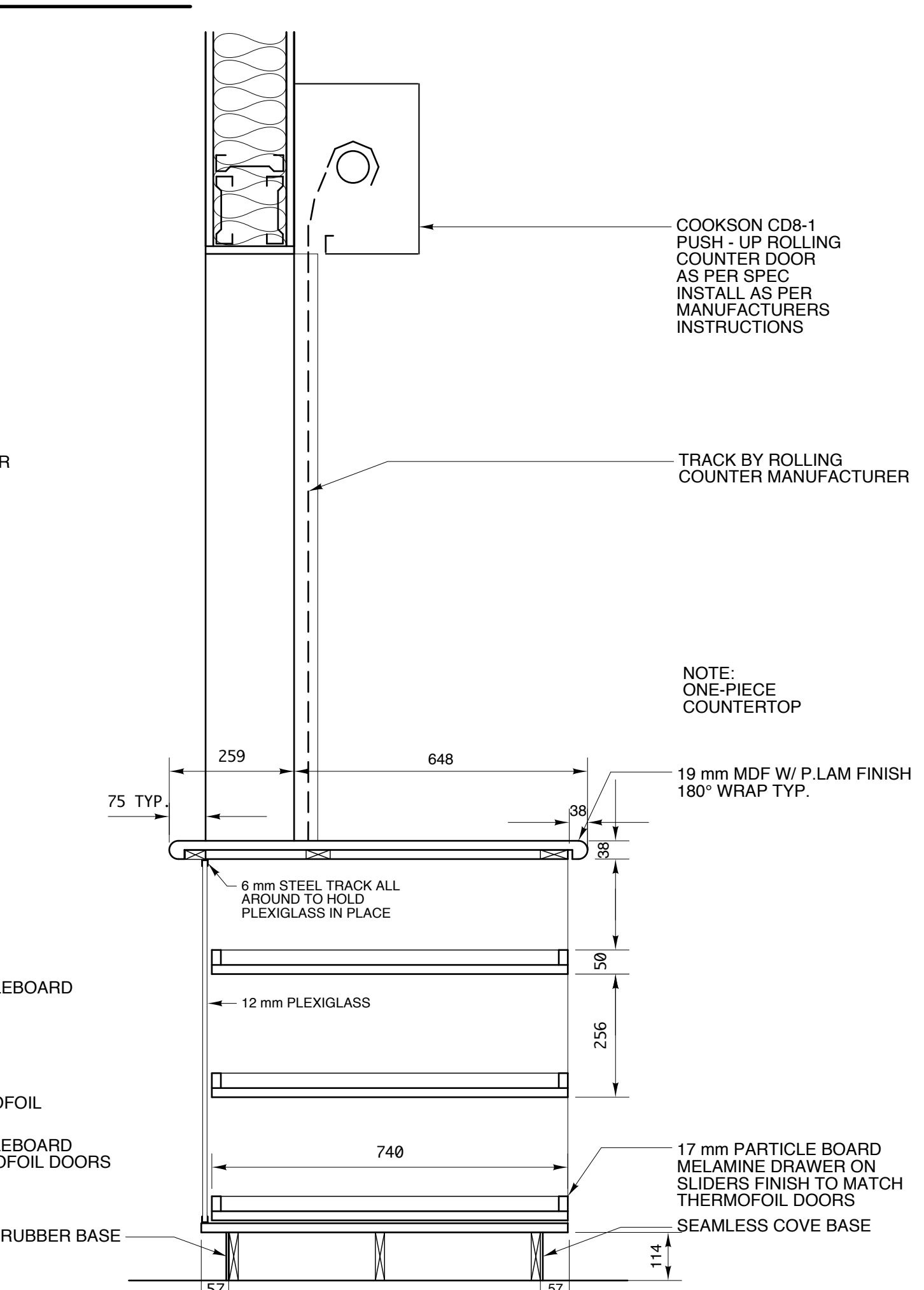
5 SECTION @ KITCHEN SINK
A-9.2 SCALE 1:10



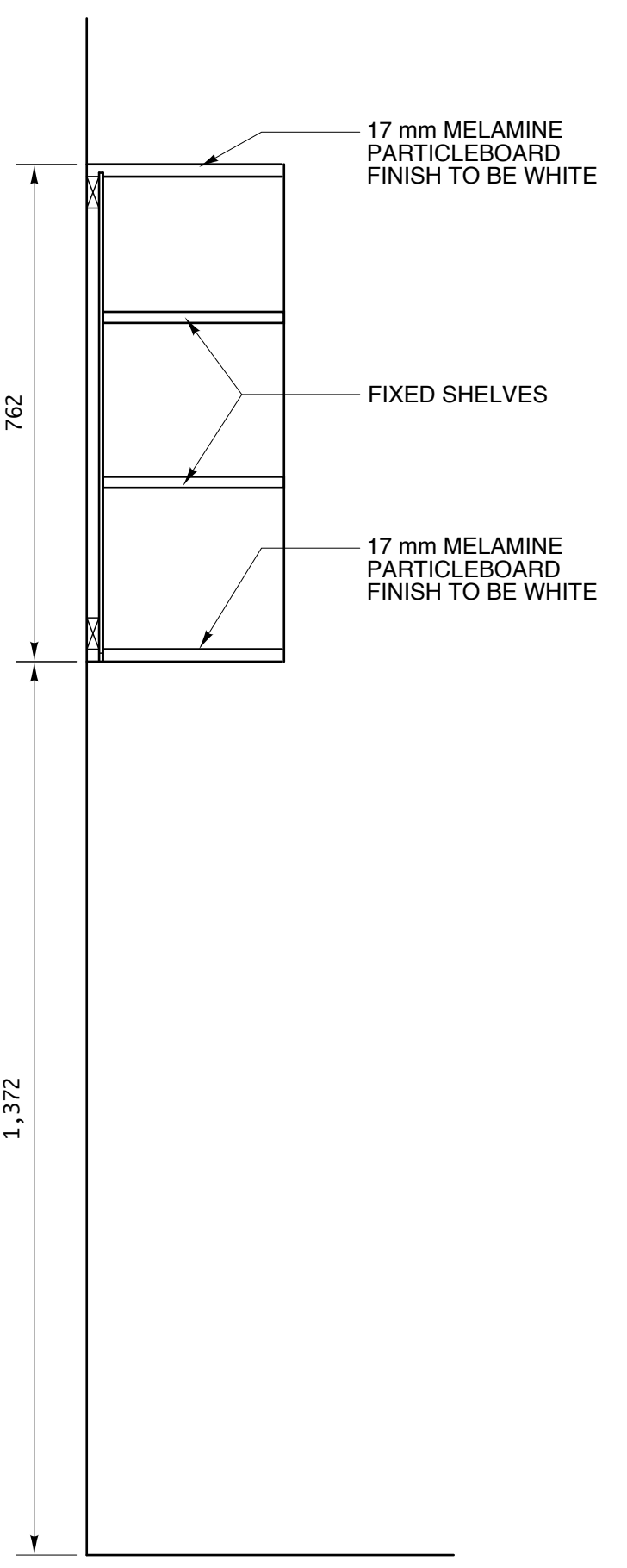
6 SECTION @ STANDARD CABINET
A-9.2 SCALE 1:10



7 SECTION @ PULL OUT SHELF
A-9.2 SCALE 1:10



8 SECTION @ PASS THRU DISPLAY CABINET
A-9.2 SCALE 1:10



9 SHELIVING FOR PANTRY & JANITOR
A-9.2 SCALE 1:10

revision
The drawing must not be scaled.
The Contractor must verify all dimensions, datums and levels prior to commencement of work. All errors and omissions must be reported immediately to the Contract Administrator.
Variations and modifications to work shown on this drawing shall not be carried out without written permission from the Contractor Administrator.
This drawing is the exclusive property of the Architect and cannot be reproduced without written permission of the Architect. Reproduction must bear the name of the Architect. Copyright © 2010.



harold funk architect inc.
Harold Funk Architect Inc.
Architecture and Urban Design
401-55 Donald Street, Winnipeg, Manitoba R3C 1L8
T (204) 943-9087 info@funkarchitect.com
F (204) 943-9231 funkarchitect.com

project
SINCLAIR PARK COMMUNITY CENTRE
Winnipeg, Manitoba

sheet title
KITCHEN ENLARGED PLAN, ELEVATIONS & SECTIONS

project number: 08-011 drawing number:
scale: 1:50
drawn by: G.C.S.
approved by: H.F.
date: 26th FEB 2010

A-9.2