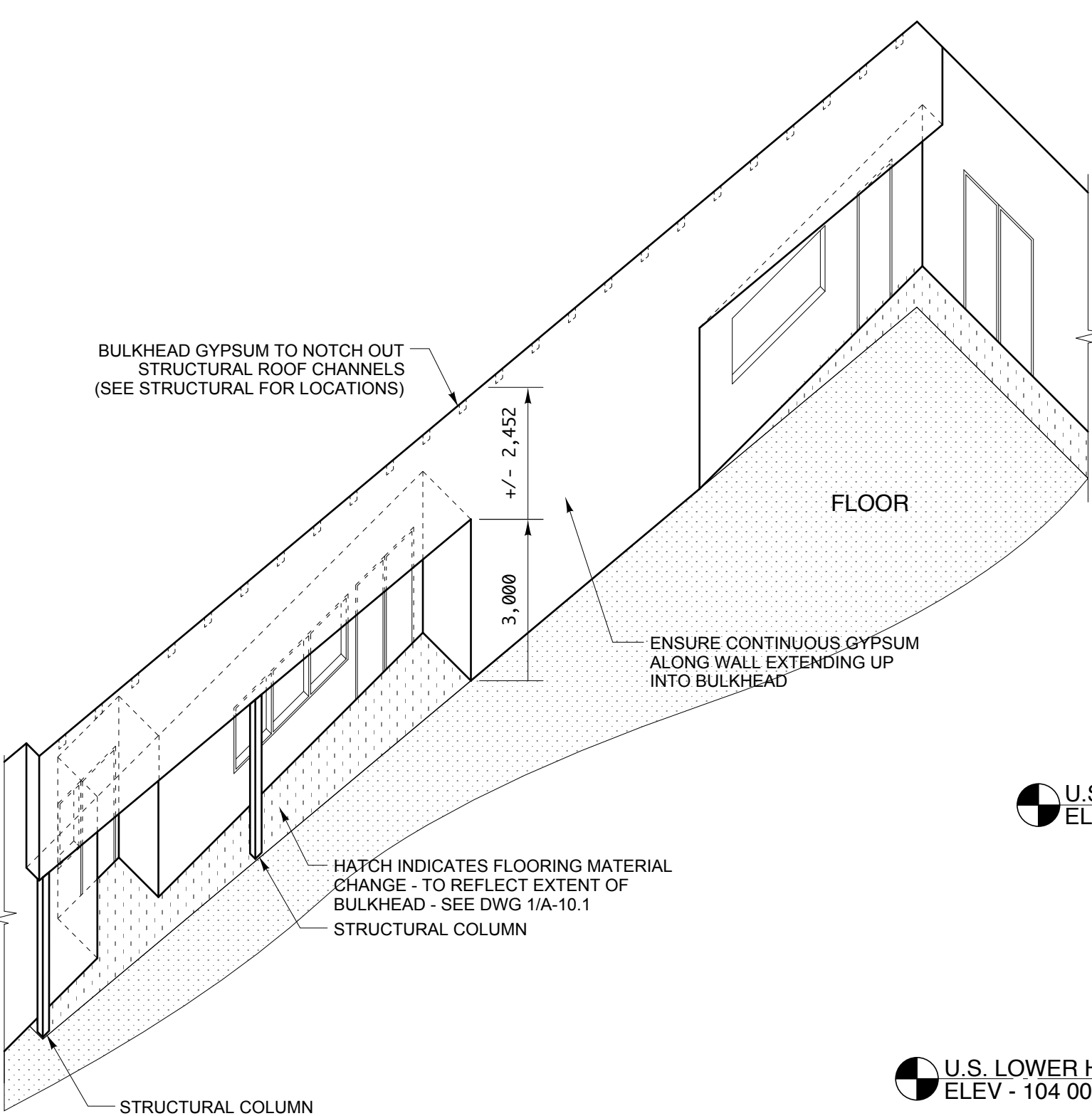
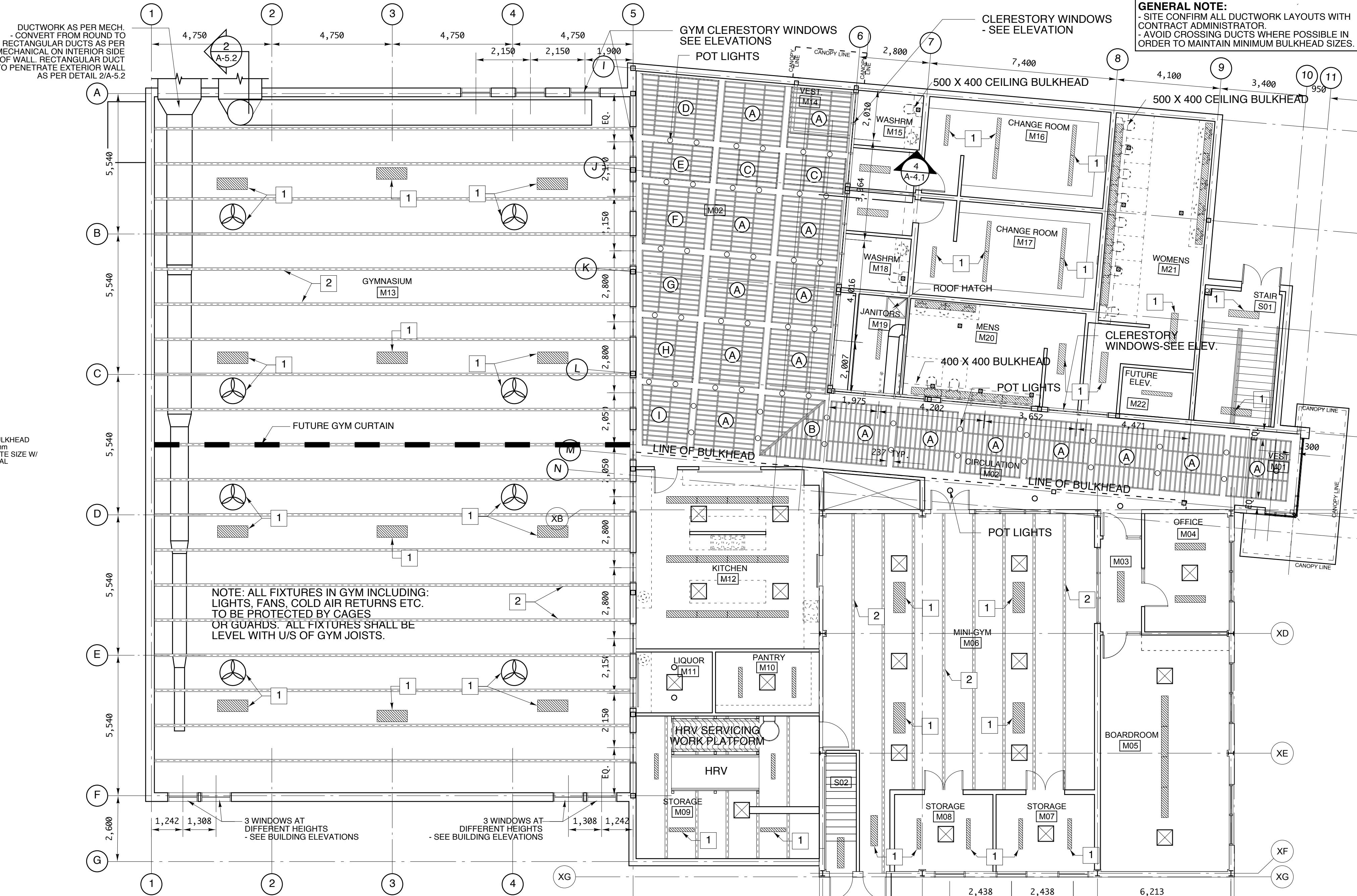


1 BASEMENT REFLECTED CEILING PLAN
A-4.1 SCALE 1:100

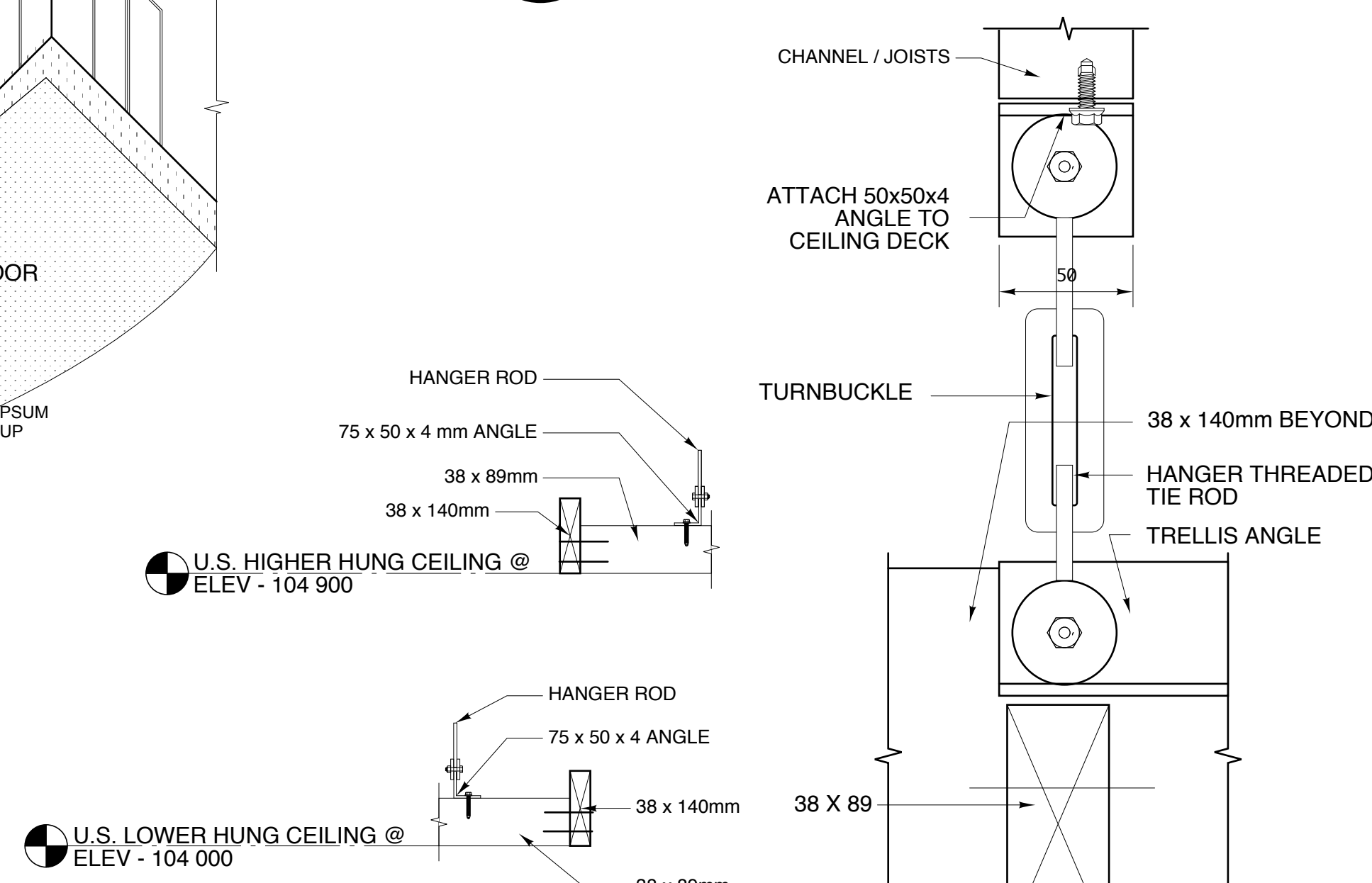
- REFLECTED CEILING PLAN NUMBERED NOTES:
- 1 PROVIDE PROTECTIVE CAGES OR GUARDS AROUND ALL FIXTURES - SEE MECHANICAL AND ELECTRICAL.
 - 3 JOISTS BY STRUCTURAL.



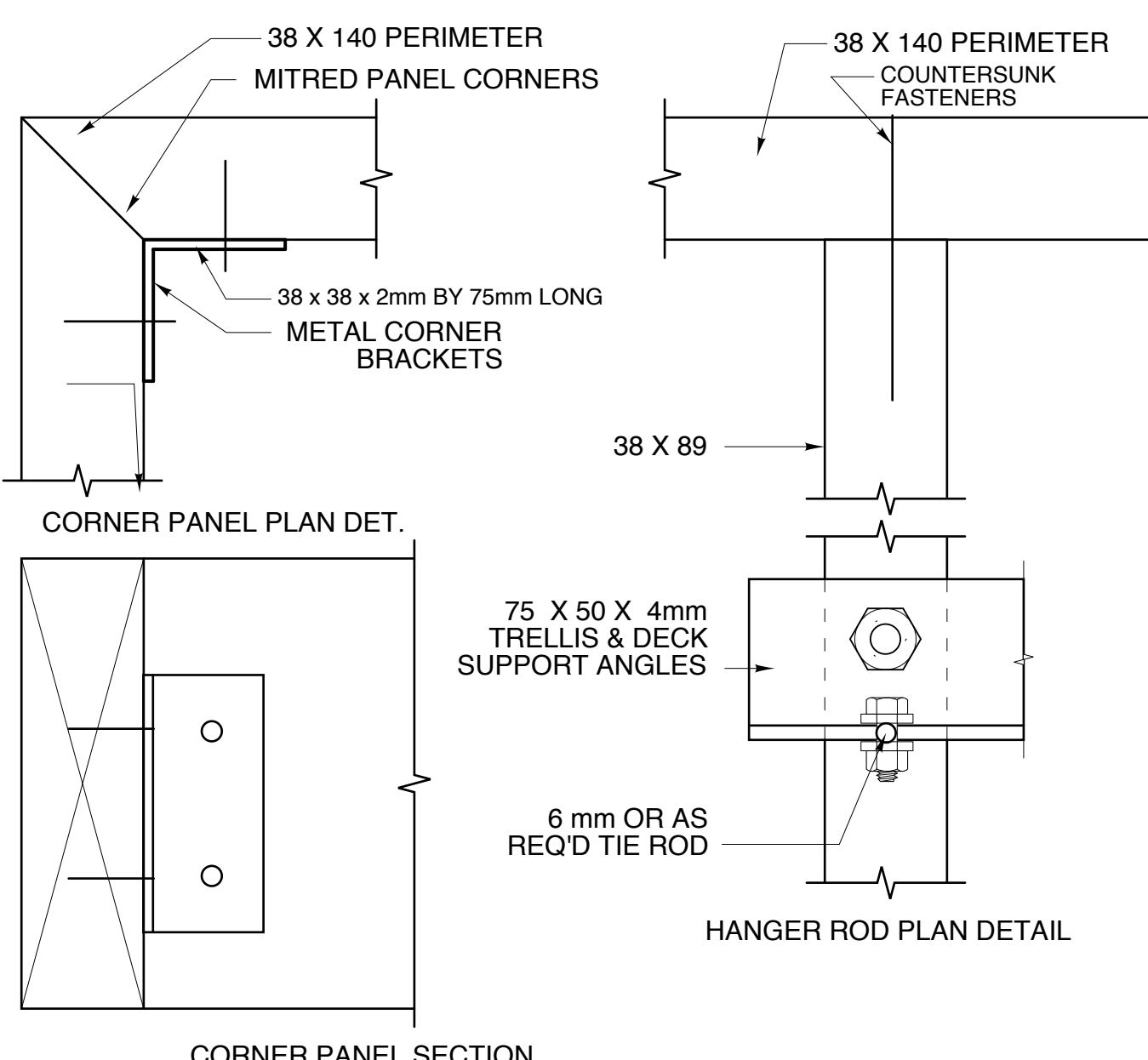
3 INTERIOR BULKHEAD PERSPECTIVE
A-4.1 SCALE 1:100



2 MAIN FLOOR REFLECTED CEILING PLAN
A-4.1 SCALE 1:100



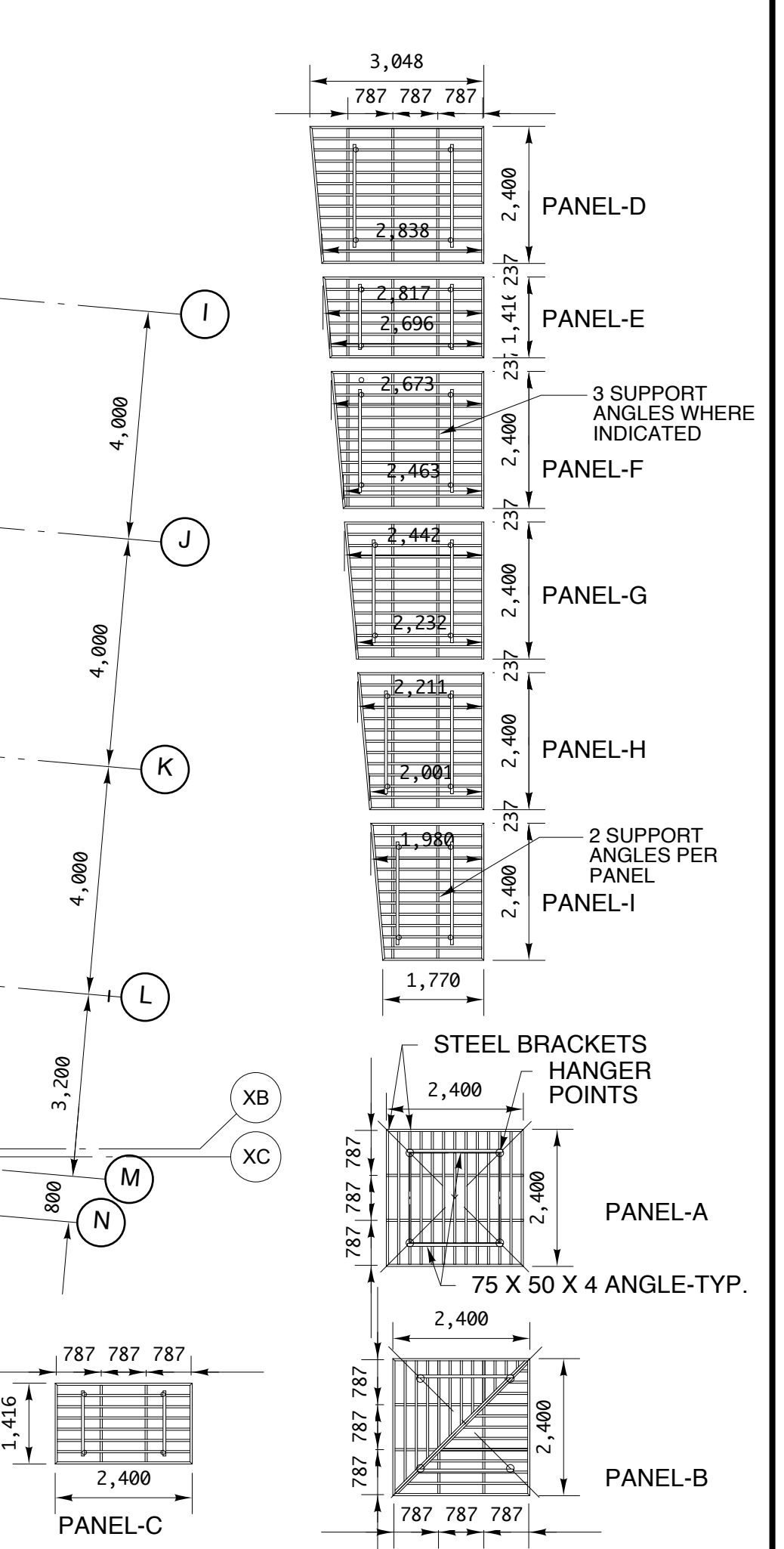
4 TRELLIS CEILING ELEVATIONS
A-4.1 SCALE 1:2



5 WOOD TRELLIS CEILING DETAILS & NOTES
A-4.1 SCALE 1:2

- CEILING TRELLIS NOTES:**
1. ALL WOOD SHALL BE SITE RECLAIMED WOOD. CONFIRM AVAILABILITY AND DIMENSIONS OF EXISTING FRAMING FROM SALVAGED WOOD. REVIEW AND CONFIRM DETAILS WITH CONTRACT ADMINISTRATOR ACCORDINGLY.
 2. DENAIL AND CLEAN UP ALL RECLAIMED WOOD.
 3. SELECT AND SHOP MACHINE PLANE ALL WOOD.
 4. WOOD PANEL CONSTRUCTION:
 - ALL PERIMETER WOOD SHALL BE PROCESSED FROM 38 X 140mm
 - ALL INTERIOR WOOD SHALL BE PROCESSED FROM 38 X 89mm.
 - ALL PANEL CORNERS SHALL BE MITRED
 - ALL PERIMETER CORNERS SHALL BE STEEL BRACKET REINFORCED AS SHOWN OR HANGING SYSTEM RECOMMENDED BY MILLWORKER AND APPROVED BY DEPARTMENTAL REPRESENTATIVE.
 5. HARDWARE & SUPPORTING COMPONENTS REQUIRED:
 - 3mm STEEL BRACKETS AT ALL CORNERS OF PANELS.
 - 6mm OR AS REQ'D THREADED RODS COMPLETE WITH CLVIS, PIN AND TURNBUCKLE.
 - MILLWORK MAY RECOMMEND ALTERNATE FASTENERS AS SUITABLE FOR APPLICATION.
 - 75 X 50 X 4 mm ANGLES ATTACHED TO CEILING DECK & TO TRELLIS PANEL-2 ANGLES PER PANEL
 - PAINT ANGLE AND RODS BLACK. (3 PER PANEL WHERE INDICATED.)
 6. FINISHED WOOD TRELLIS FINISH: SEMI-GLOSS VARNISH (FSR ≤ 150). SEE SECTION 9.
 7. ALL PANELS SHALL BE ALIGNED & LEVELLED IN RELATION TO EACH OTHER WITH A TURNBUCKLE OR HANGING RODS.
 8. ALL ELECTRICAL LIGHTING BETWEEN PANELS AS SHOWN.
 9. ALL MECHANICAL AIR SUPPLY AND RETURN ABOVE PANELS.
 10. BRACE PANELS AS A WHOLE (OUT OF SIGHT).

GENERAL NOTE:
- SITE CONFIRM ALL DUCTWORK LAYOUTS WITH CONTRACT ADMINISTRATOR
- AVOID CROSSING DUCTS WHERE POSSIBLE IN ORDER TO MAINTAIN MINIMUM BULKHEAD SIZES.



revision

This drawing must not be scaled.

The Contractor must verify all dimensions, datums and levels prior to commencement of work. All errors and omissions must be reported immediately to the Contract Administrator.

Variations and modifications to work shown on this drawing shall not be carried out without written permission from the Contract Administrator.

This drawing is the exclusive property of the Architect and cannot be reproduced without written permission of the Architect. Reproduction must bear the name of the Architect. Copyright © 2010.



harold funk architect inc.

Harold Funk Architect Inc.
Architecture and Urban Design

401-55 Donald Street, Winnipeg, Manitoba R3C 1L8
T (204) 943-5087 info@funkarchitect.com
F (204) 943-9231 funkarchitect.com

project
SINCLAIR PARK COMMUNITY CENTRE
Winnipeg, Manitoba

sheet title
REFLECTED CEILING PLANS AND UPPER WINDOWS

project number: 08-011 **drawing number:** AS SHOWN
scale: B.F. **A-4.1**
drawn by: H.F.
approved by: H.F.
date: 26th FEB 2010