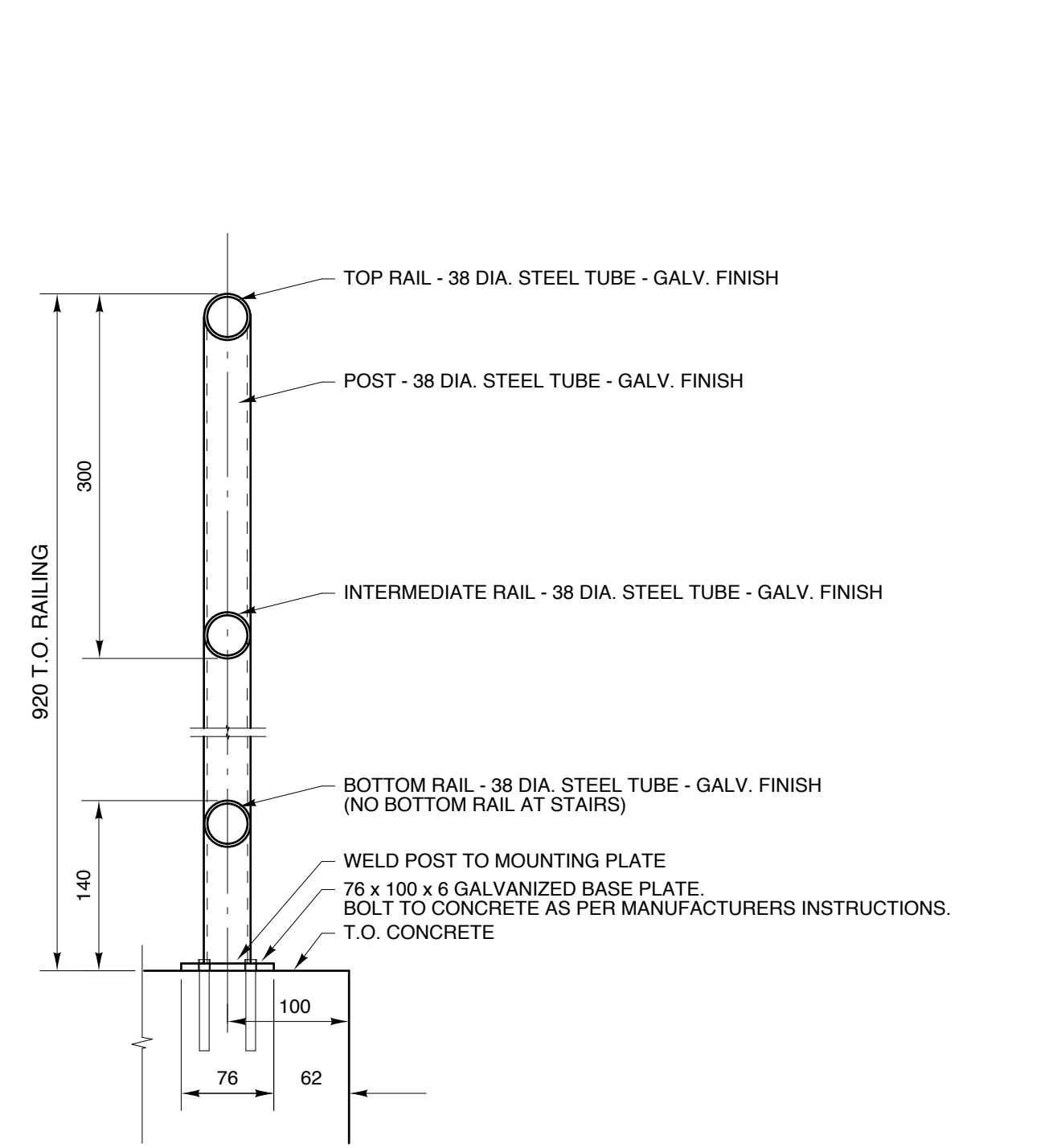
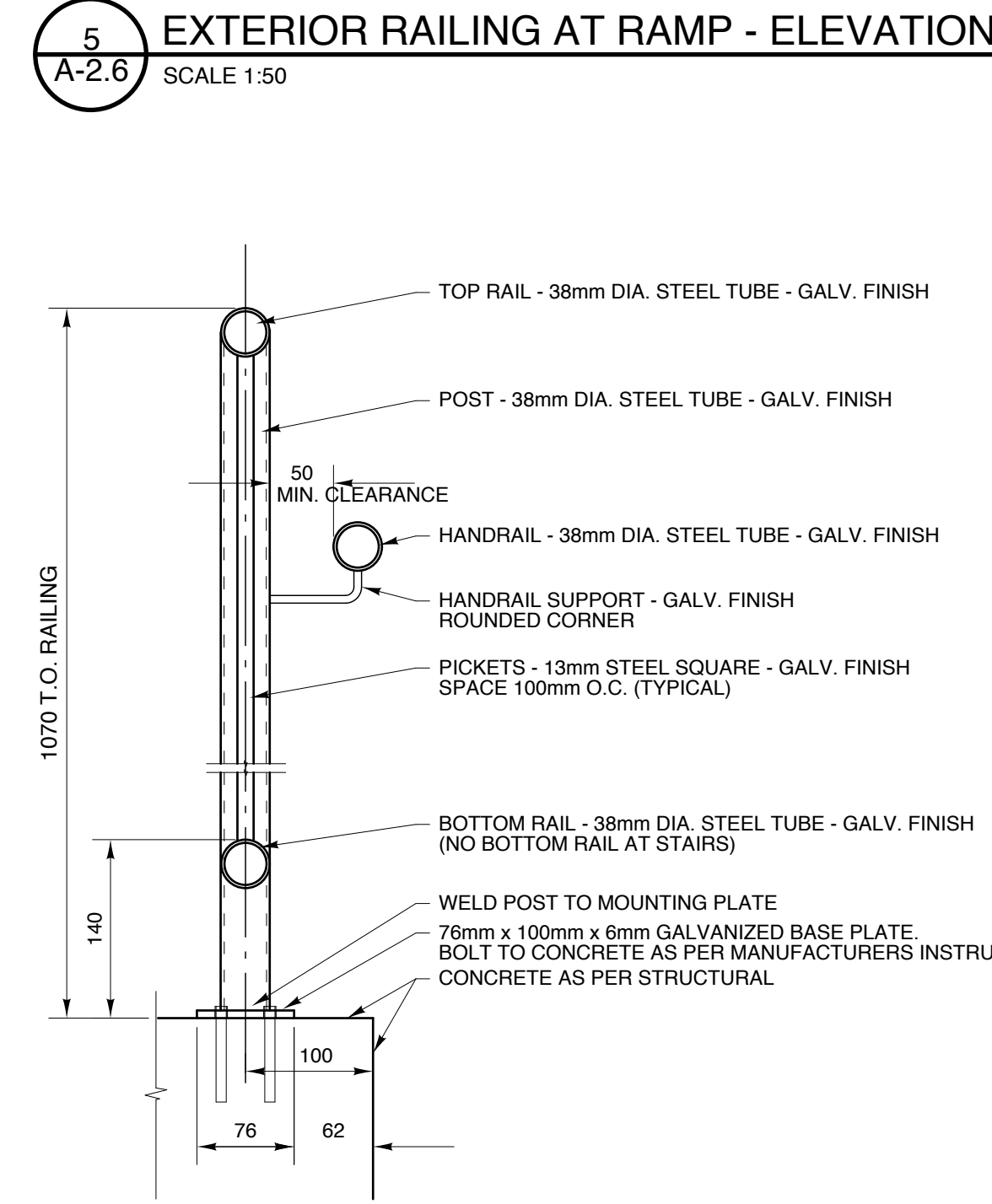
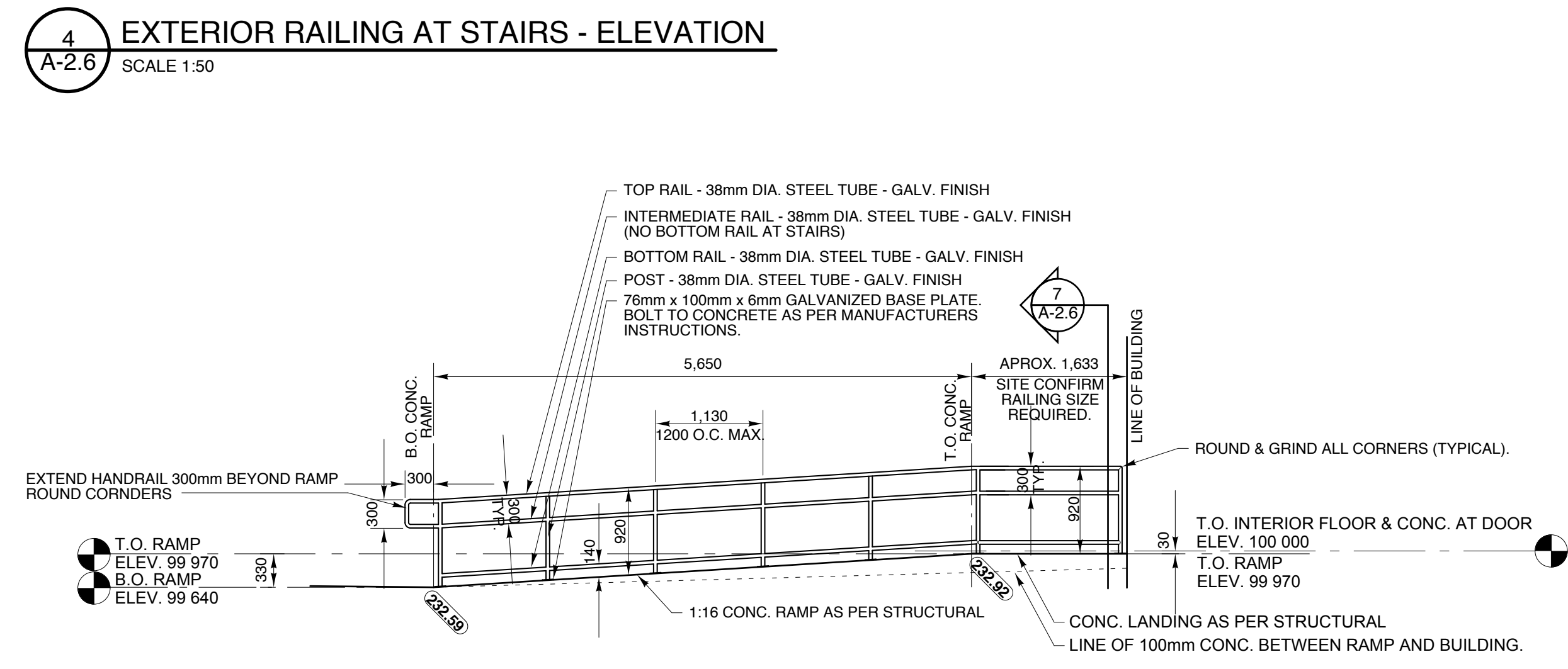
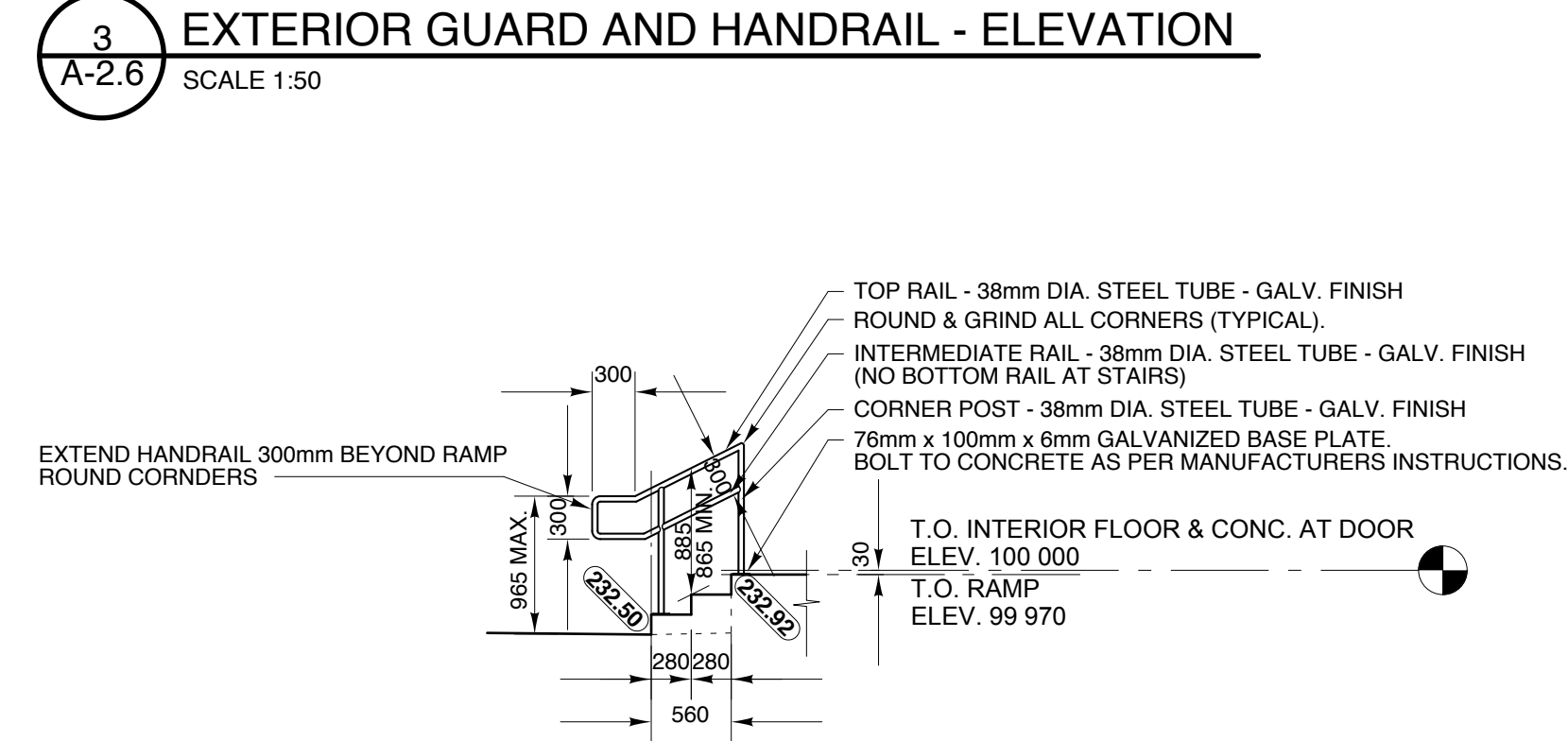
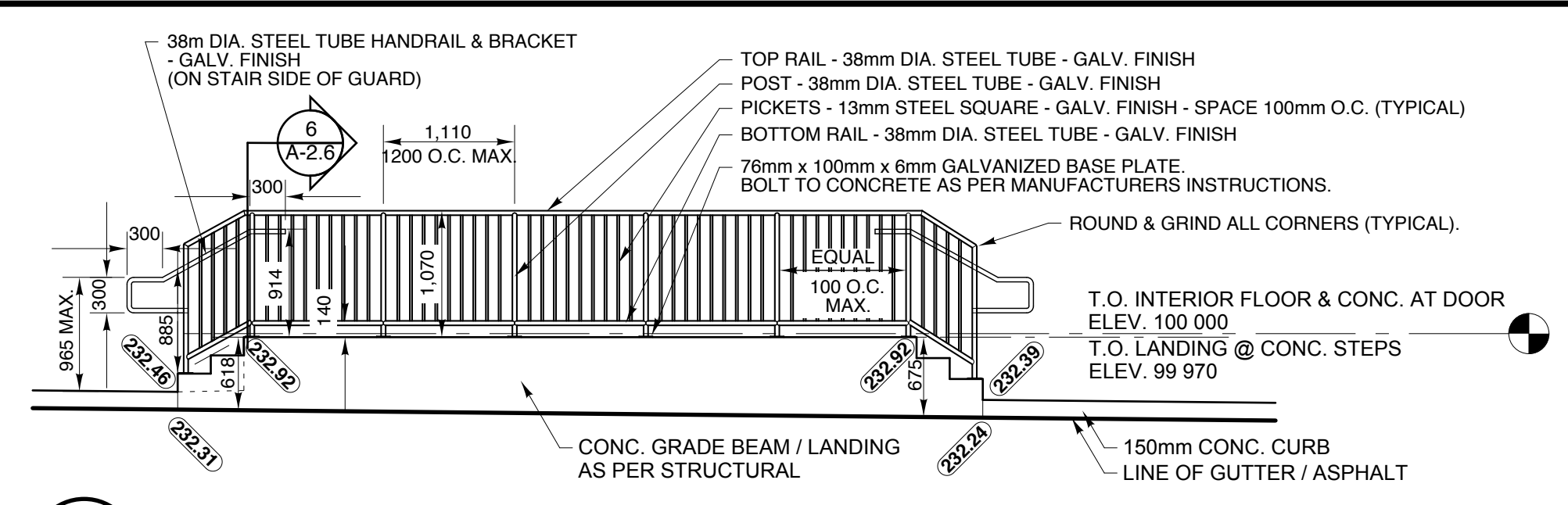
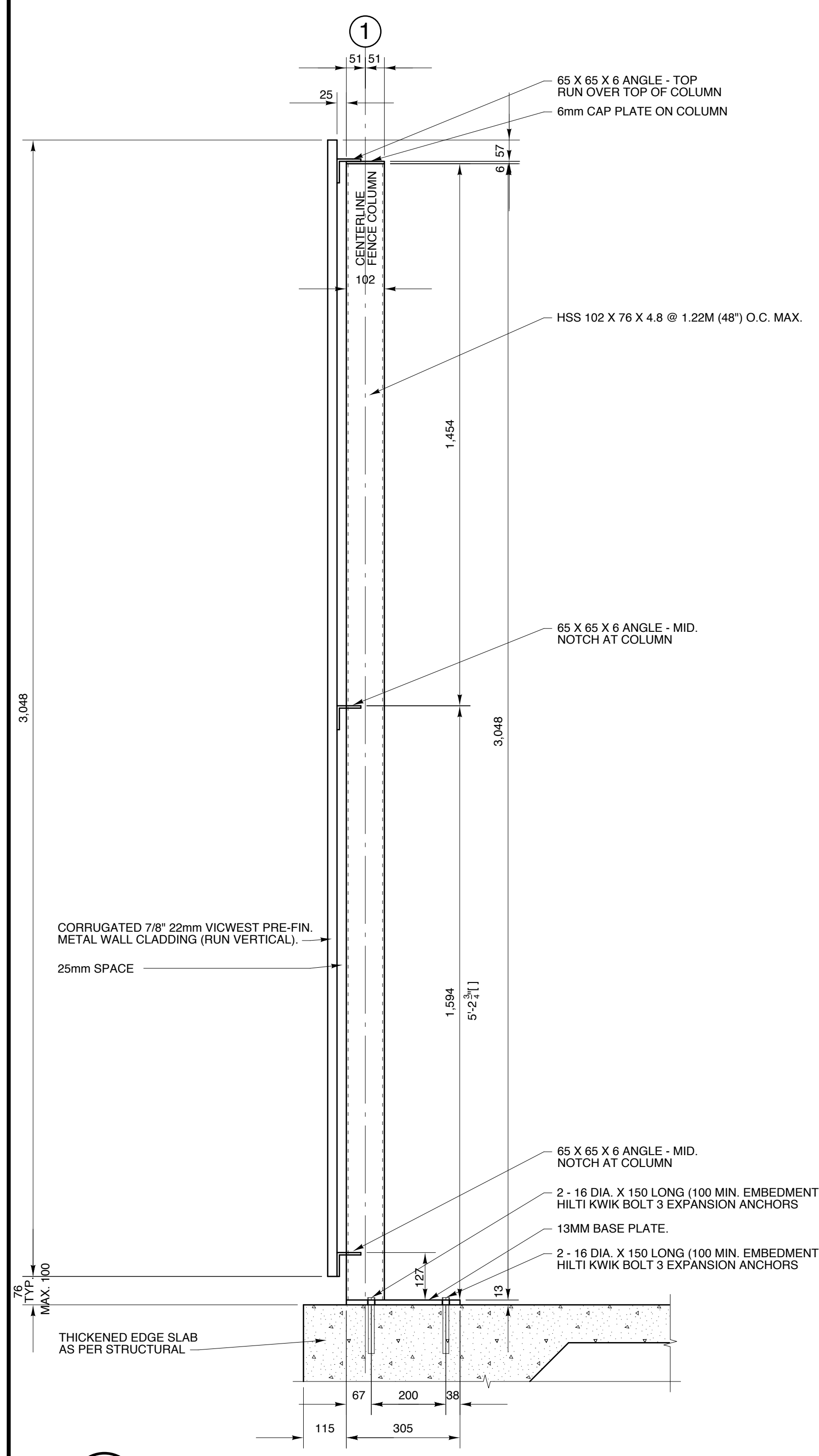
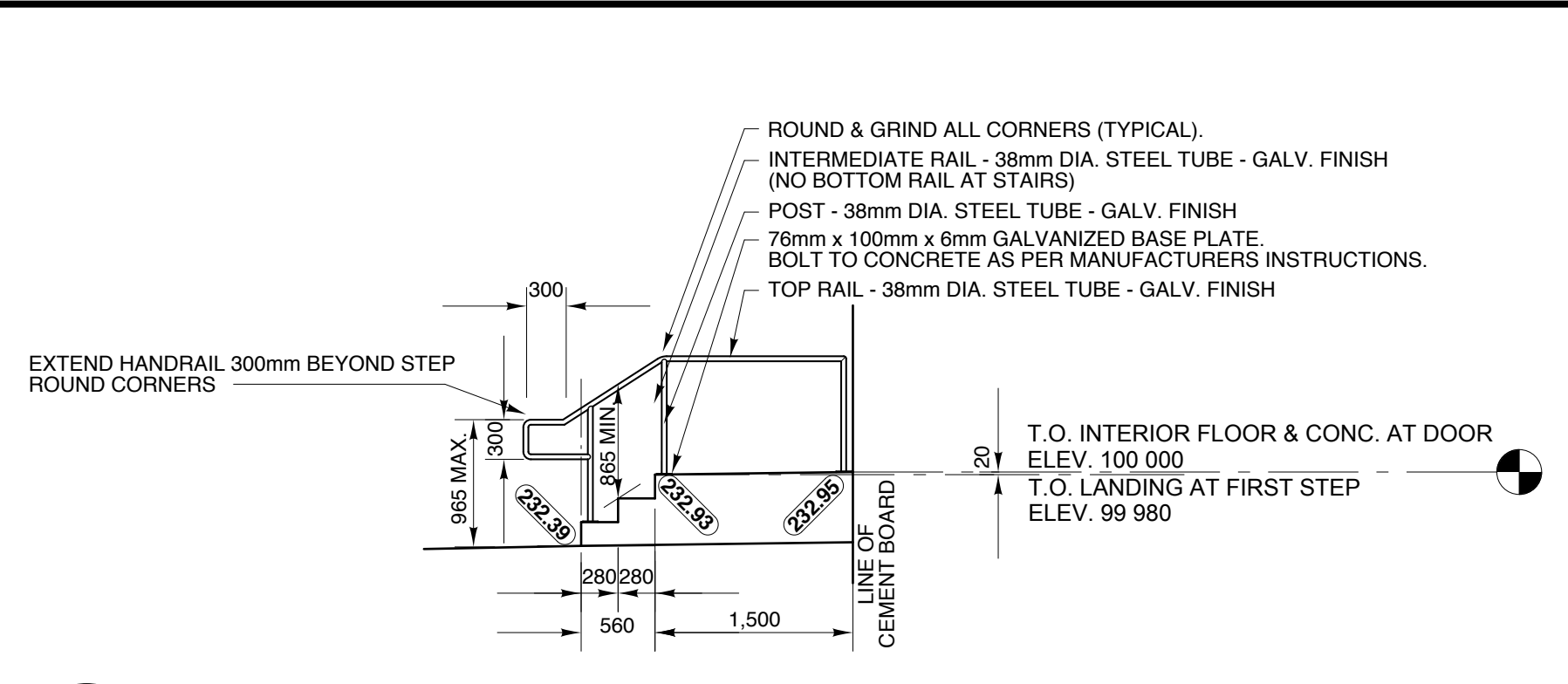


NOTE:
 SEE ALSO PART SITE PLAN 1/A-2.4.



EXTERIOR RAILING NOTES:
 1. SEE ALSO PART SITE PLAN 1/A-2.4.
 2. SITE MEASURE BEFORE RAILING IS MANUFACTURED.
 3. FINISHED BUILDING WALL LOCATION VARIES.
 4. SITE CONFIRM GRADE ELEVATIONS IN RELATION TO EXISTING MAIN FLOOR.
 5. SEE STRUCTURAL FOR CONC. SPECIFICATIONS.



TYPICAL EXTERIOR RAILING NOTES:
 1. SEE ALSO PART SITE PLAN 1/A-2.4 & SITE PLAN 1/A-2.3
 2. SITE MEASURE BEFORE RAILING IS MANUFACTURED.
 3. FINISHED BUILDING WALL LOCATION VARIES.
 4. SITE CONFIRM GRADE ELEVATIONS IN RELATION TO EXISTING MAIN FLOOR.
 5. SEE STRUCTURAL FOR CONC. SPECIFICATIONS.

revision

This drawing must not be scaled.

The Contractor must verify all dimensions, datums and levels prior to commencement of work. All errors and omissions must be reported immediately to the Contract Administrator.

Variations and modifications to work shown on this drawing shall not be carried out without written permission from the Contractor Administrator.

This drawing is the exclusive property of the Architect and cannot be reproduced without written permission of the Architect. Reproduction must bear the name of the Architect. Copyright © 2010.



harold funk architect inc.

Harold Funk Architect Inc.
 Architecture and Urban Design
 401-55 Donald Street, Winnipeg, Manitoba R3C 1L8
 T (204) 943-5087 info@funkarchitect.com
 F (204) 943-9231 funkarchitect.com

project
SINCLAIR PARK COMMUNITY CENTRE
 Winnipeg, Manitoba

sheet title
SITE DETAILS

project number: 08-011 drawing number:
 scale: AS NOTED
 drawn by: T.E. **A-2.6**
 approved by: H.F.
 date: 26th FEB. 2010