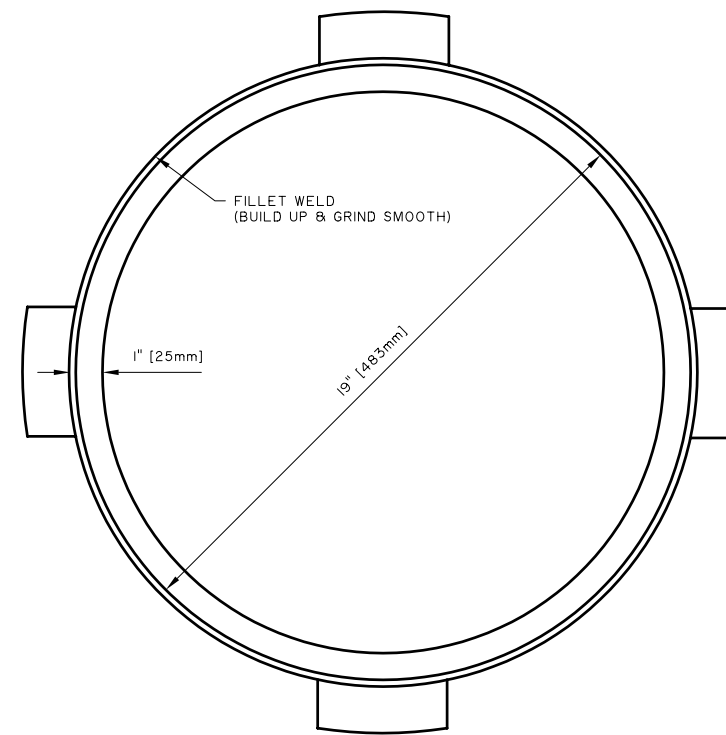
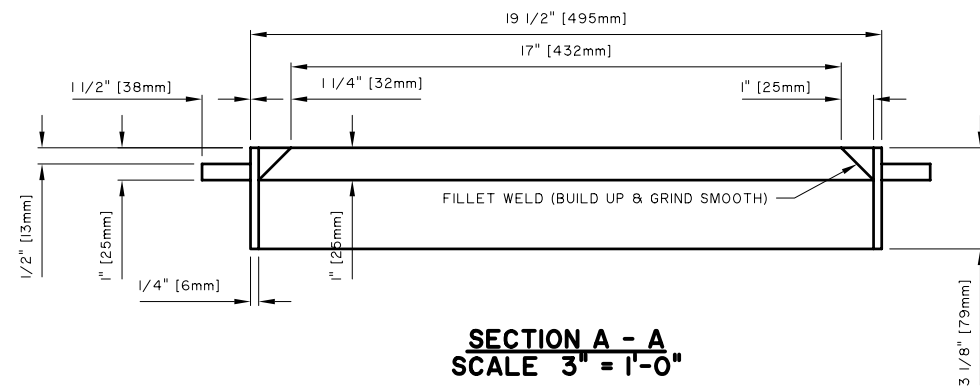


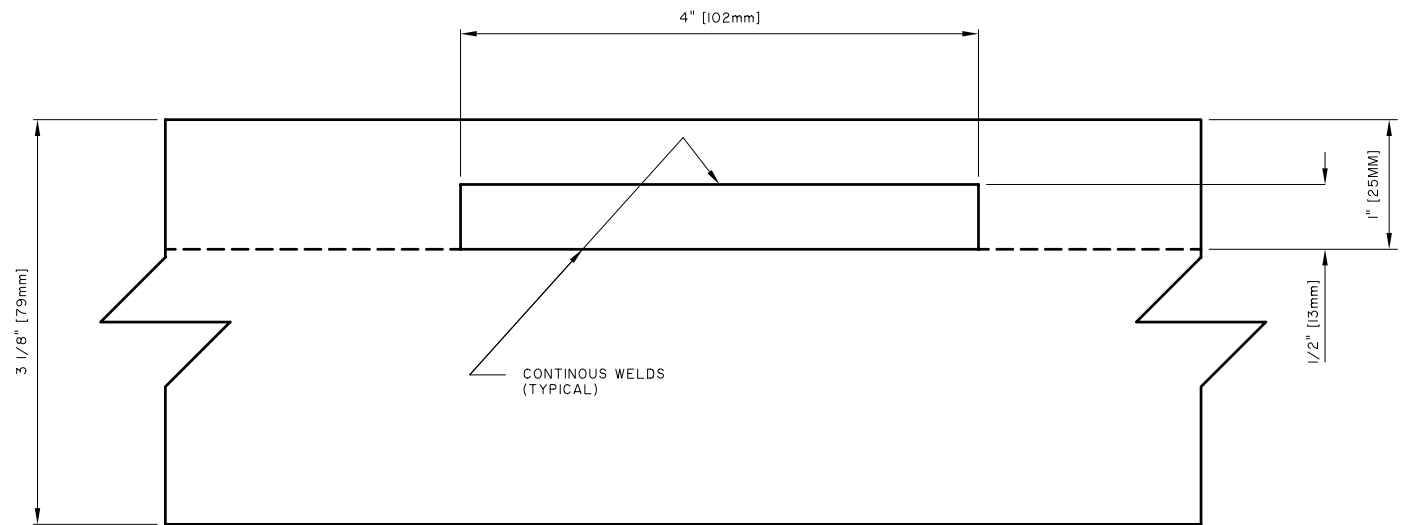
PLAN VIEW
SCALE 3" = 1'-0"



BOTTOM VIEW
SCALE 3" = 1'-0"



SECTION A - A
SCALE 3" = 1'-0"



SECTION B - B
SCALE 1" = 1"

NOTES:

1. TOP RING FORM REQUIRED FOR ST-60 BASE INSTALLATIONS.
2. RING = 1/4" THICK STEEL, HANDLES = 1/2" STEEL.
3. ALL WELDS ON TOP & BOTTOM SURFACES SHALL BE CONTINUOUS AND GROUND SMOOTH.
4. IMPERIAL ARE IN WHOLE NUMBERS AND METRIC NUMBERS ARE IN BRACKETS.
5. TOP RING FORM TO BE SUPPLIED BY CONTRACTOR.
6. COPIES OF ORIGINAL DRAWINGS AVAILABLE FROM TRAFFIC SIGNALS.

NO.	REVISIONS	DATE	BY

REFERENCE SPEC. NO.	
CW 3620	
DESIGNED BY	CHECKED BY
DRAWN BY lwb	SCALE AS NOTED
APPROVED BY	
_____ DATE _____	

ENGINEER'S SEAL

THE CITY OF WINNIPEG

PUBLIC WORKS DEPARTMENT

TRANSPORTATION DIVISION

TOP RING FORM

FOR STANDARD DUTY

TRAFFIC SIGNAL POLE BASE

SHEET	OF
CAD FILE DRAWING NUMBER	
CITY DRAWING NUMBER	
ST - 116	