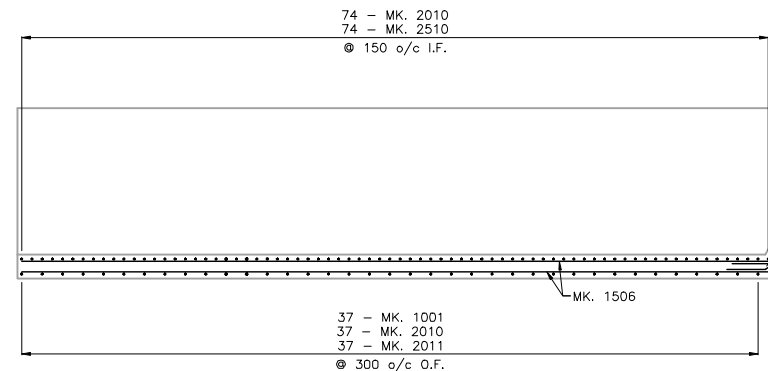
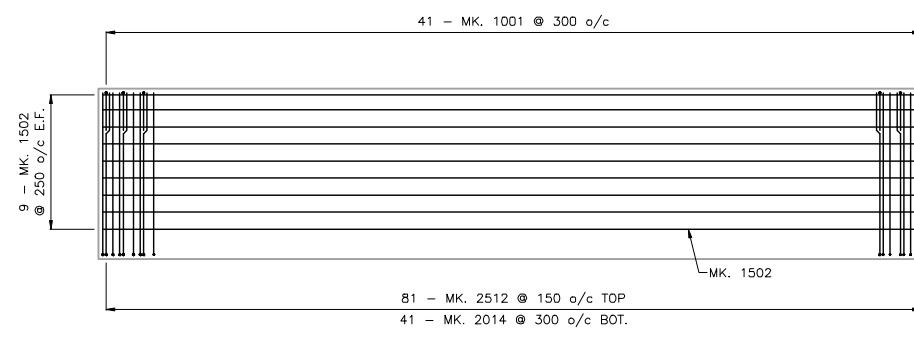
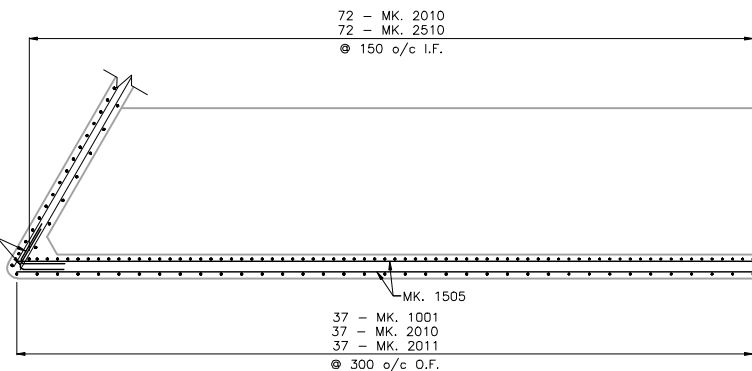


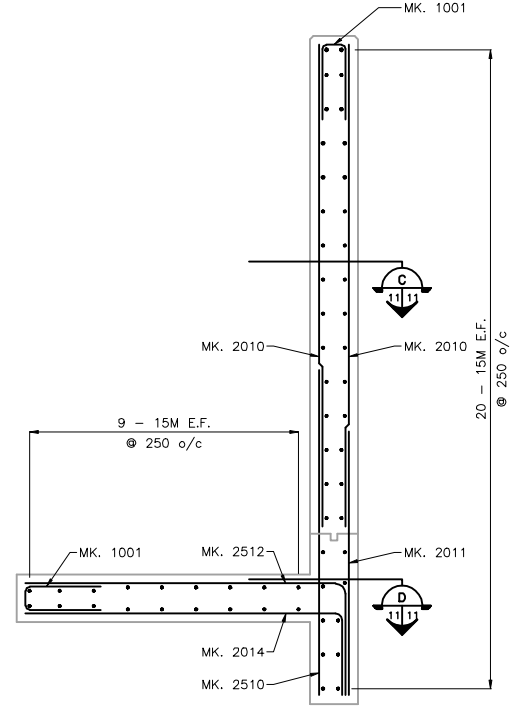
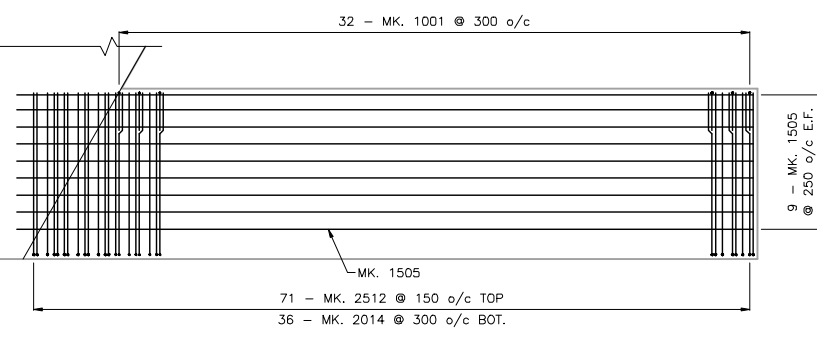
HEADWALL REINFORCING



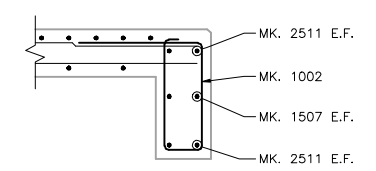
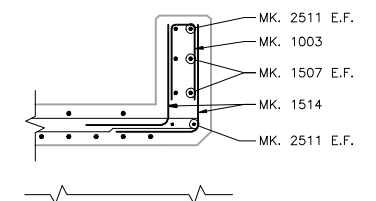
C SECTION



D SECTION



A TYP. HEADWALL SECTION 1:25



B SECTION 1:25

W:\117\win\1170404\win\1170404.dwg (1170404.dwg) 11/11/06 10:27 AM By: j...



LOCATION APPROVED UNDERGROUND STRUCTURES

SUPV. U/G STRUCTURES COMMITTEE	DATE

NOTE: LOCATION OF UNDERGROUND STRUCTURES AS SHOWN ARE BASED ON THE BEST INFORMATION AVAILABLE BUT NO GUARANTEE IS GIVEN THAT ALL EXISTING UTILITIES ARE SHOWN OR THAT THE GIVEN LOCATIONS ARE EXACT. CONFIRMATION OF EXISTENCE AND EXACT LOCATION OF ALL SERVICES MUST BE OBTAINED FROM THE INDIVIDUAL UTILITIES BEFORE PROCEEDING WITH CONSTRUCTION.

NO.	REVISIONS	DATE	BY	DATE
0	ISSUED FOR TENDER	11.01.06	K.S.A.	

Stantec Consulting Ltd.
 905 Waverley Street, Winnipeg, Manitoba
 Tel 204-489-5900 Fax 204-453-9012

DESIGNED BY	K.S.A.	CHECKED BY	K.S.A.
DRAWN BY	J.M.B.	APPROVED BY	K.S.A.
SCALE:	1:50	RELEASED FOR CONSTRUCTION:	
	U.N.O.	DATE	09.12.11

ENGINEER'S SEAL
CONSULTANT DRAWING NO.
S-105

THE CITY OF WINNIPEG
 WATER AND WASTE DEPARTMENT
 ENGINEERING DIVISION

KENASTON BOULEVARD
 AT BISHOP GRANDIN BOULEVARD
 CONCRETE CULVERT EXTENSION
 REINFORCING DETAILS - SHEET 3 OF 3

SHEET	11	OF	13
CAD FILE DRAWING NUMBER	048403-105-727.dwg		
CITY DRAWING NUMBER	C375-II-II		