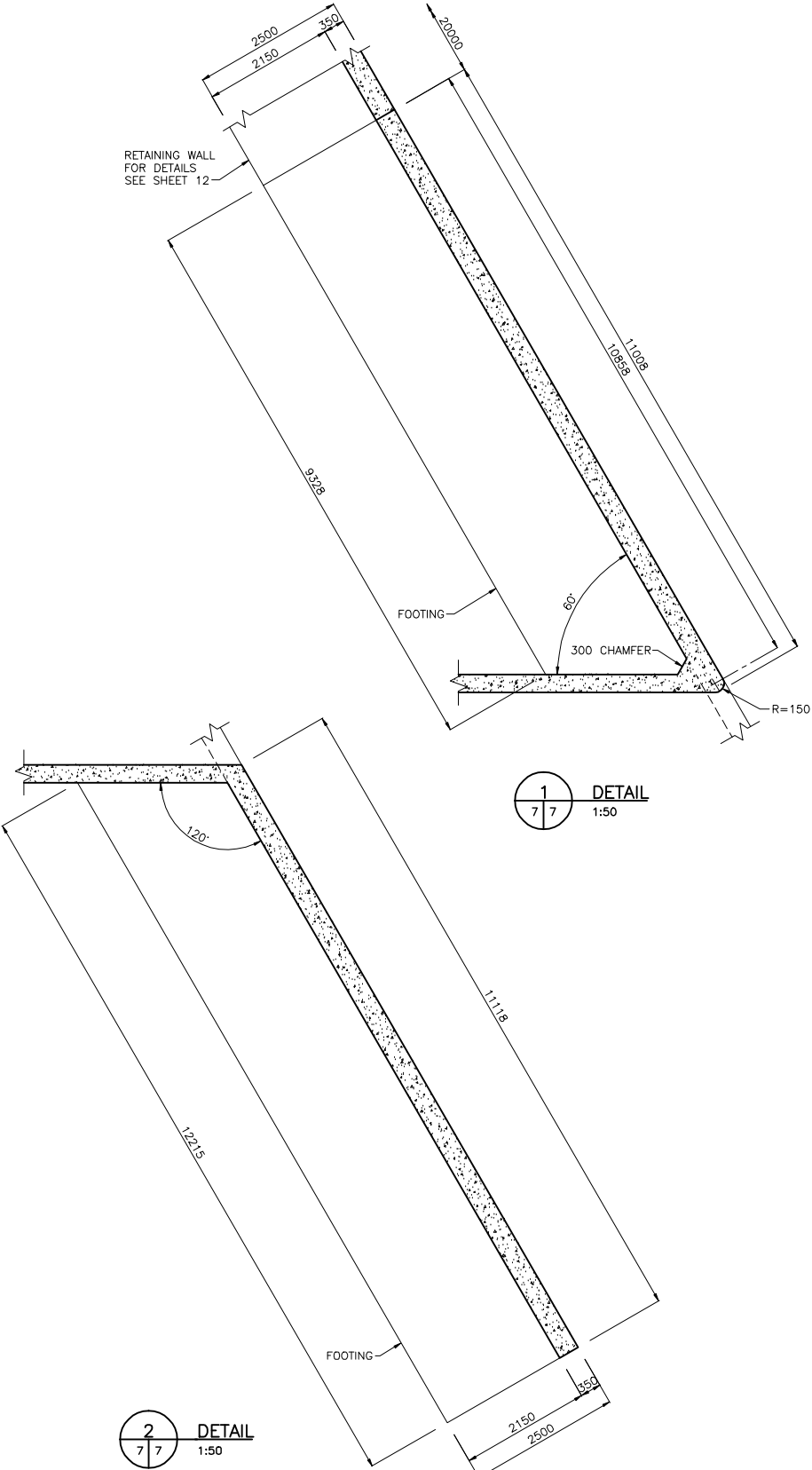
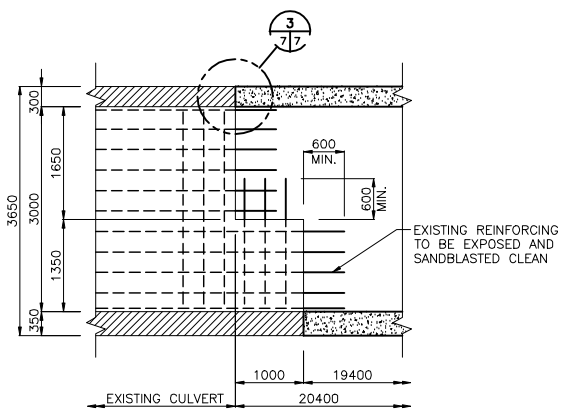


CULVERT PLAN

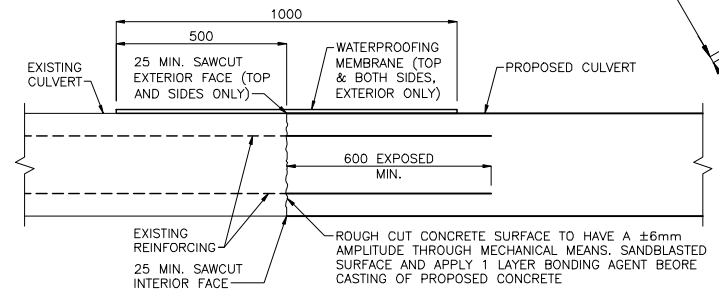


1 DETAIL 1:50

2 DETAIL 1:50



A CULVERT SPLICE SECTION 1:50



3 CULVERT SPLICE DETAIL 1:10



LOCATION APPROVED UNDERGROUND STRUCTURES

SUPV. U/G STRUCTURES COMMITTEE DATE  
 NOTE: LOCATION OF UNDERGROUND STRUCTURES AS SHOWN ARE BASED ON THE BEST INFORMATION AVAILABLE BUT NO GUARANTEE IS GIVEN THAT ALL EXISTING UTILITIES ARE SHOWN OR THAT THE GIVEN LOCATIONS ARE EXACT. CONFIRMATION OF EXISTENCE AND EXACT LOCATION OF ALL SERVICES MUST BE OBTAINED FROM THE INDIVIDUAL UTILITIES BEFORE PROCEEDING WITH CONSTRUCTION.

NO.	REVISIONS	DATE	BY
0	ISSUED FOR TENDER	11.01.06	K.S.A.

**Stantec Consulting Ltd.**  
 905 Waverley Street, Winnipeg, Manitoba  
 Tel 204-489-5900 Fax 204-453-9012

DESIGNED BY	K.S.A.	CHECKED BY	K.S.A.
DRAWN BY	J.M.B.	APPROVED BY	K.S.A.
SCALE:	1:75 U.N.O.	RELEASED FOR CONSTRUCTION:	DATE

ENGINEER'S SEAL
CONSULTANT DRAWING NO. S-101

**THE CITY OF WINNIPEG**  
 WATER AND WASTE DEPARTMENT  
 ENGINEERING DIVISION

**KENASTON BOULEVARD**  
 AT BISHOP GRANDIN BOULEVARD  
 CONCRETE CULVERT EXTENSION  
 CONCRETE PLAN & ELEVATIONS

SHEET 7 OF 13
CAD FILE DRAWING NUMBER 04840s-101-727.dwg
CITY DRAWING NUMBER C375-II-07

V:\117\winnipeg\11704040\kenaston\102\_dwg\high\kenaston\_culvert\04840s-101-727.dwg  
 2011-01-06 10:28:08 Sp. Jmm/mms