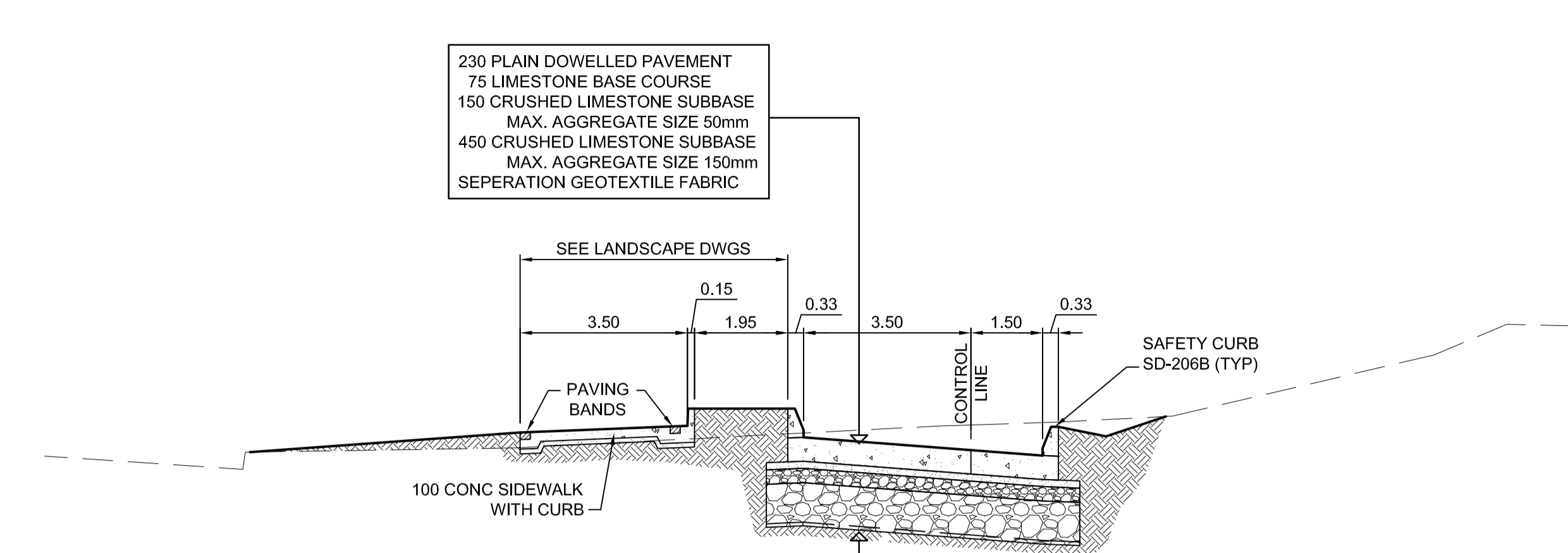
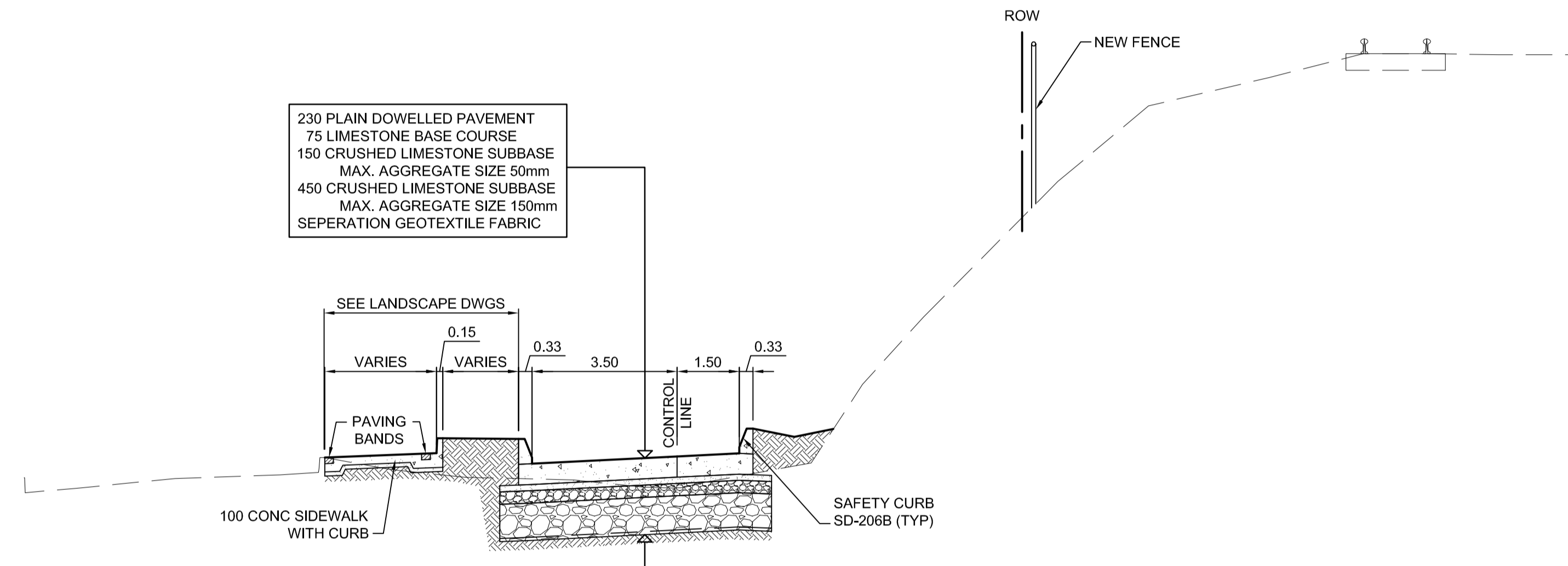


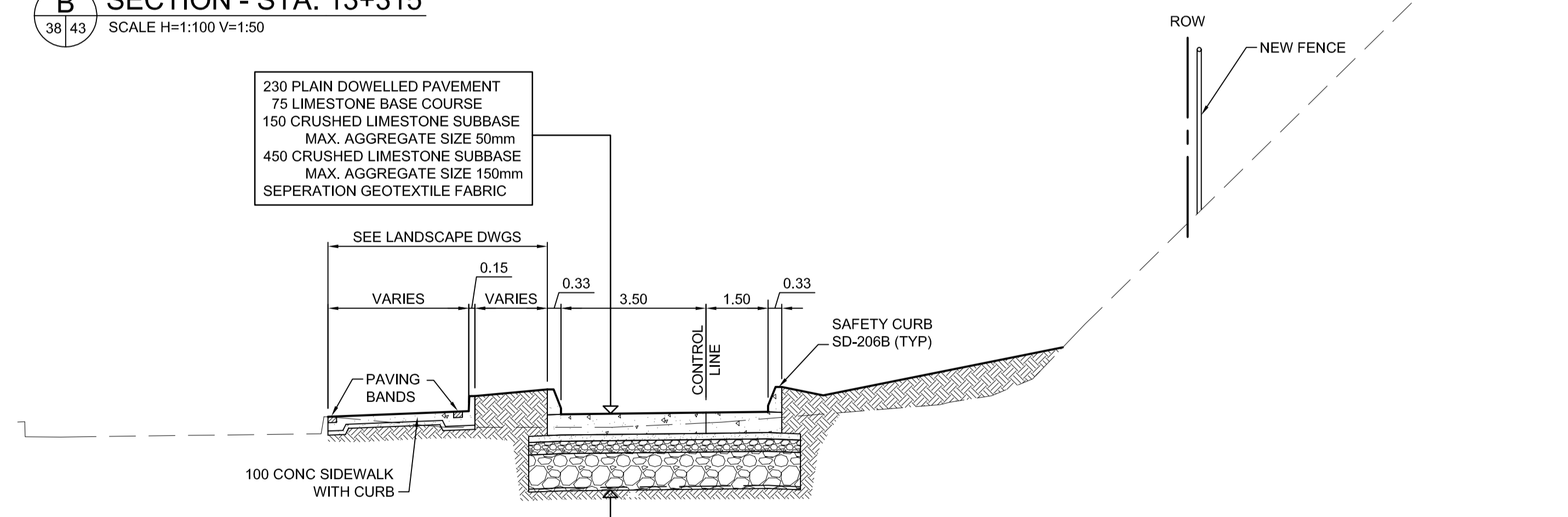
**A** TRANSITWAY SECTION - STA. 13+250  
SCALE H=1:100 V=1:50



**D** TRANSITWAY SECTION - STA. 13+455  
SCALE H=1:100 V=1:50



**B** TRANSITWAY SECTION - STA. 13+315  
SCALE H=1:100 V=1:50



**C** TRANSITWAY SECTION - STA. 13+380  
SCALE H=1:100 V=1:50

**CONSTRUCTION NOTES:**  
1. INSTALL 6 m OF 150 mm SUB DRAIN IN BOTH DIRECTIONS PARALLEL TO ROADWAY AT EACH CATCH BASIN AS PER SD-245 AND CAP ENDS.

**METRIC**  
WHOLE NUMBERS INDICATE MILLIMETRES  
DECIMALIZED NUMBERS INDICATE METRES.

G:\CAD\088813\Contract\Contract 3-Donald Street\Current\Roadway\C1-501-Cross Sections.dwg



LOCATION UNDERGROUND STRUCTURES	APPROVED STRUCTURES	B.M. 654265 (633392.694, 5525026.192) ELEV. 232.518
SUPV. U/G STRUCTURES COMMITTEE	DATE	
NOTE: LOCATION OF UNDERGROUND STRUCTURES AS SHOWN ARE BASED ON THE BEST INFORMATION AVAILABLE, BUT NO GUARANTEE IS GIVEN THAT ALL EXISTING UTILITIES ARE SHOWN OR THAT THE GIVEN LOCATIONS ARE EXACT. CONFIRMATION OF EXISTENCE AND EXACT LOCATION OF ALL SERVICES MUST BE OBTAINED FROM THE INDIVIDUAL UTILITIES BEFORE PROCEEDING WITH CONSTRUCTION.		

DESIGNED BY	DBW/RTP
DRAWN BY	TJH
CHECKED BY	ORIGINAL SIGNED BY TARAN J. PETERS
APPROVED BY	ORIGINAL SIGNED BY DAVE P. KRAHN
HOR. SCALE	AS NOTED
VERTICAL	
NO. REVISIONS	DATE BY
2	ISSUED FOR TENDER 04/29/09 TJP
1	SUBMITTED FOR 95% REVIEW 02/13/09 TJP

RELEASED FOR CONSTRUCTION	DATE 04/29/09
ORIGINAL SIGNED BY RANDY FINGAS	



<b>THE CITY OF WINNIPEG</b> TRANSIT DEPARTMENT	
SOUTHWEST RAPID TRANSIT CORRIDOR - STAGE 1 TRANSITWAY CONSTRUCTION, DONALD/HARKNESS RECONSTRUCTION & ASSOCIATED WORKS	
CITY DRAWING NUMBER	P-3299-43
SHEET	43 OF 64
CONSULTANT DRAWING NUMBER	C3-C3025-T
CONSULTANT PROJECT NO.	088813
CROSS SECTIONS - STA. 13+250 TO 13+470	