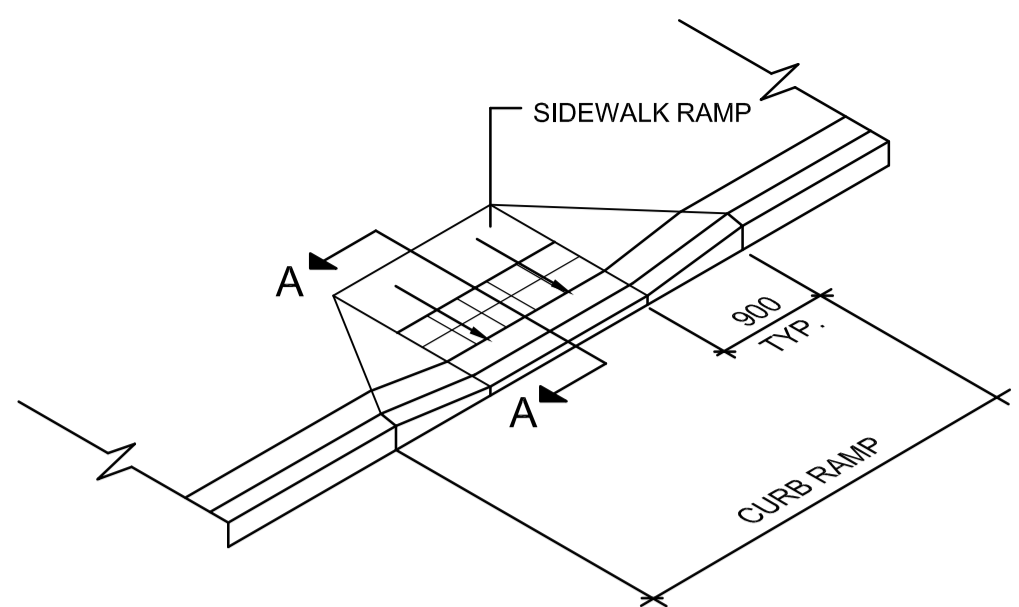
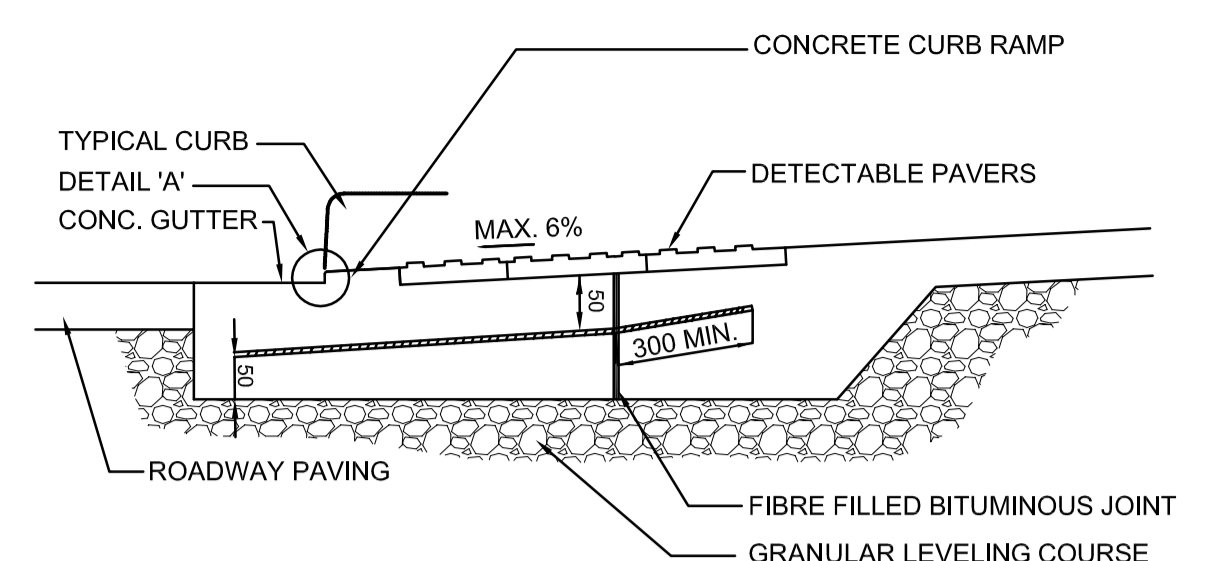


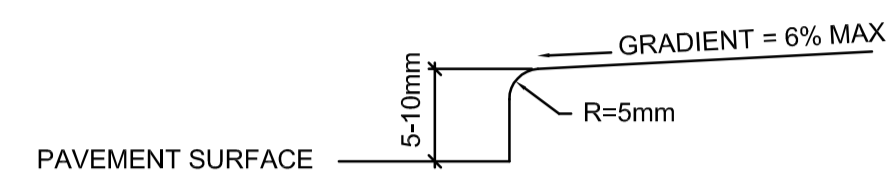
RAMP AT LOADING AREA



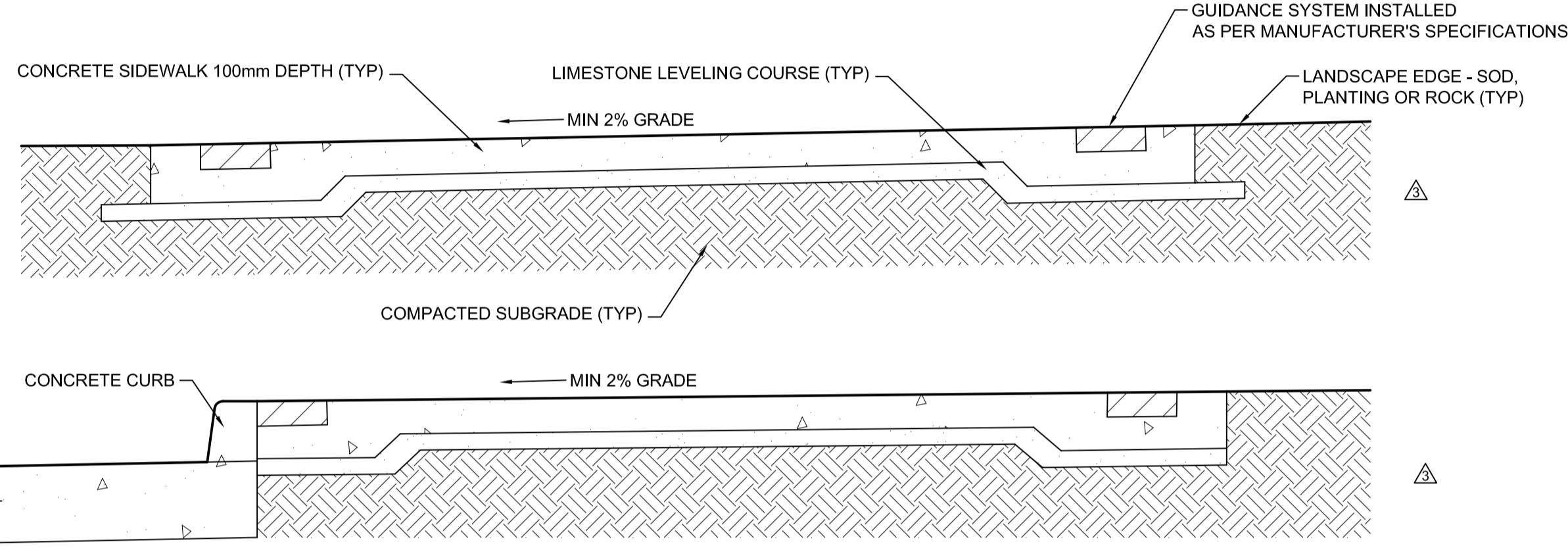
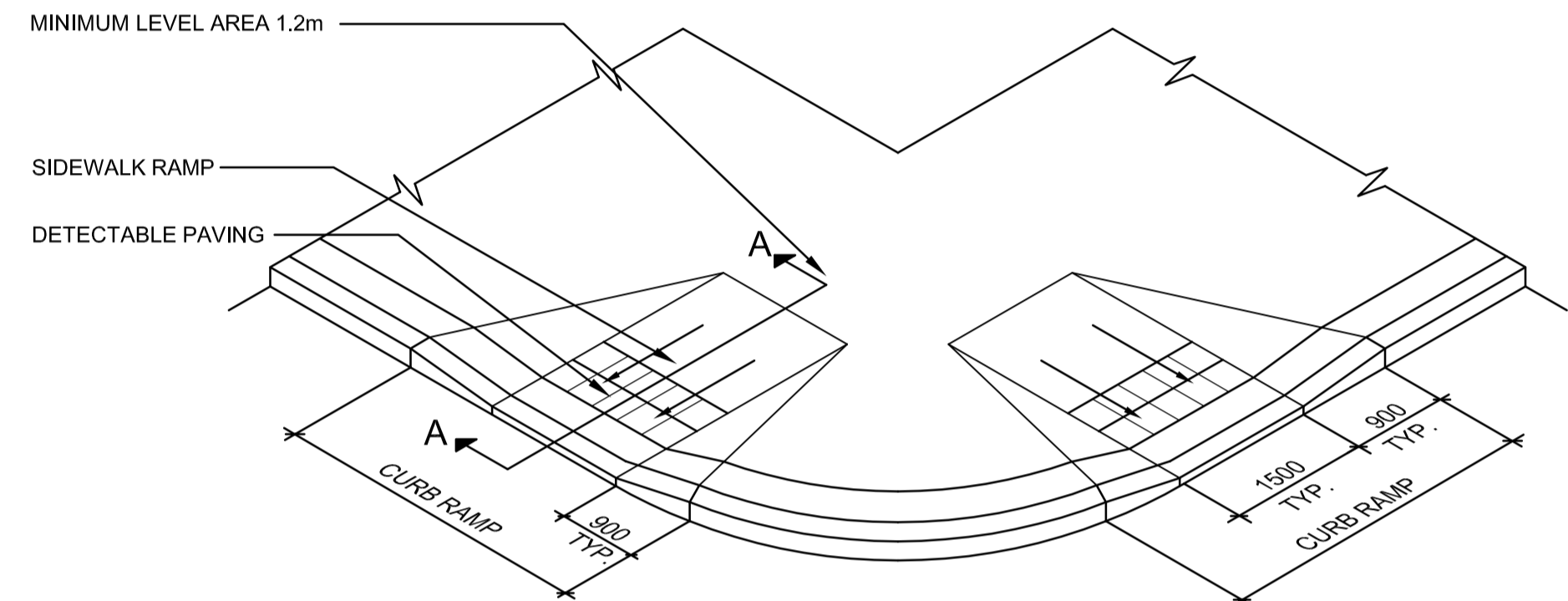
SURFACE AS INDICATED ON SHEETS 55-61. WHERE BRICK PAVING BAND EXTENDS THROUGH SIDEWALK RAMP, PAVERS ARE TO BE SAW-CUT AND INSTALLED FLUSH TO GRADE ON RAMP AS REQUIRED.



SECTION A-A

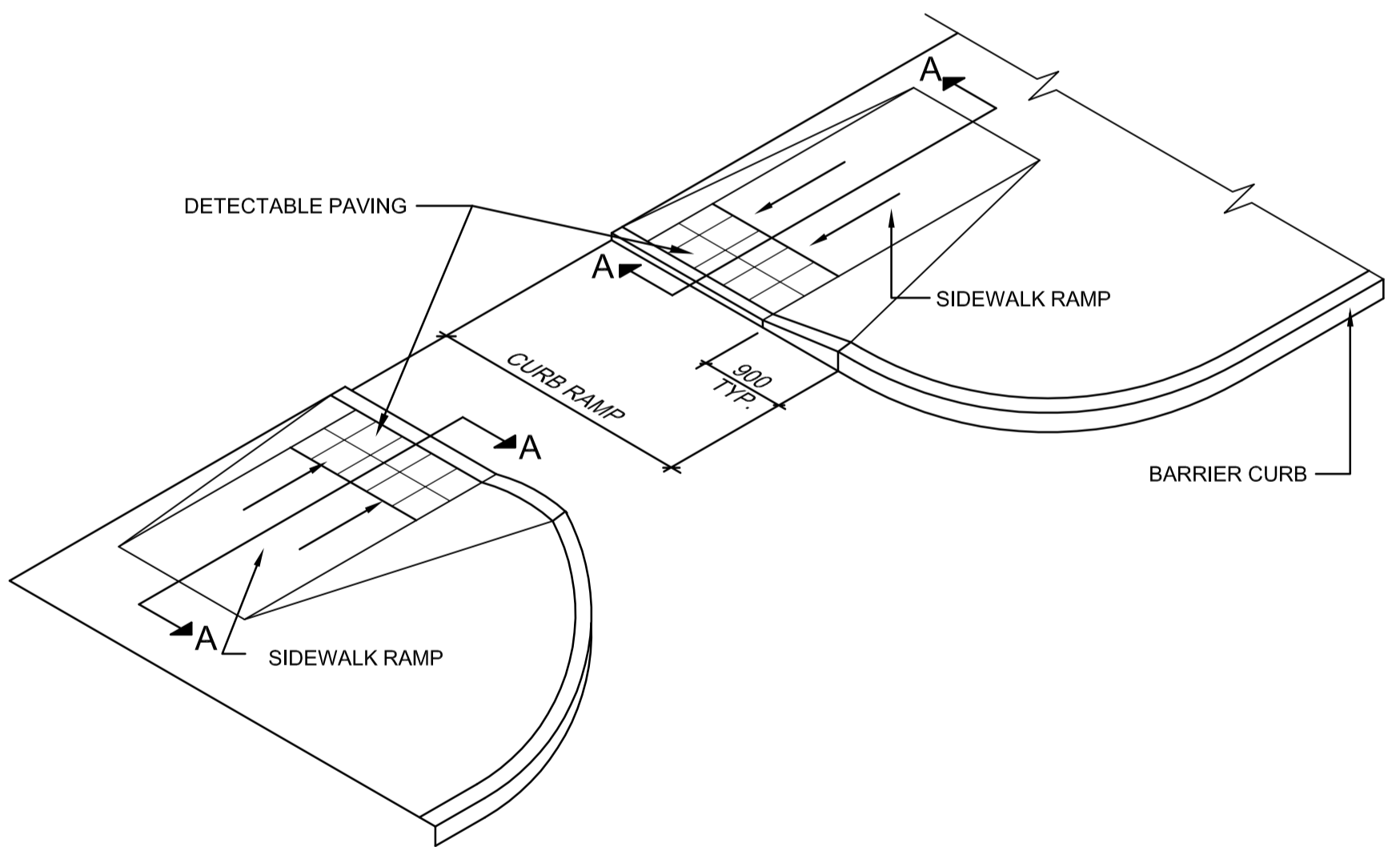


DETAIL 'A'



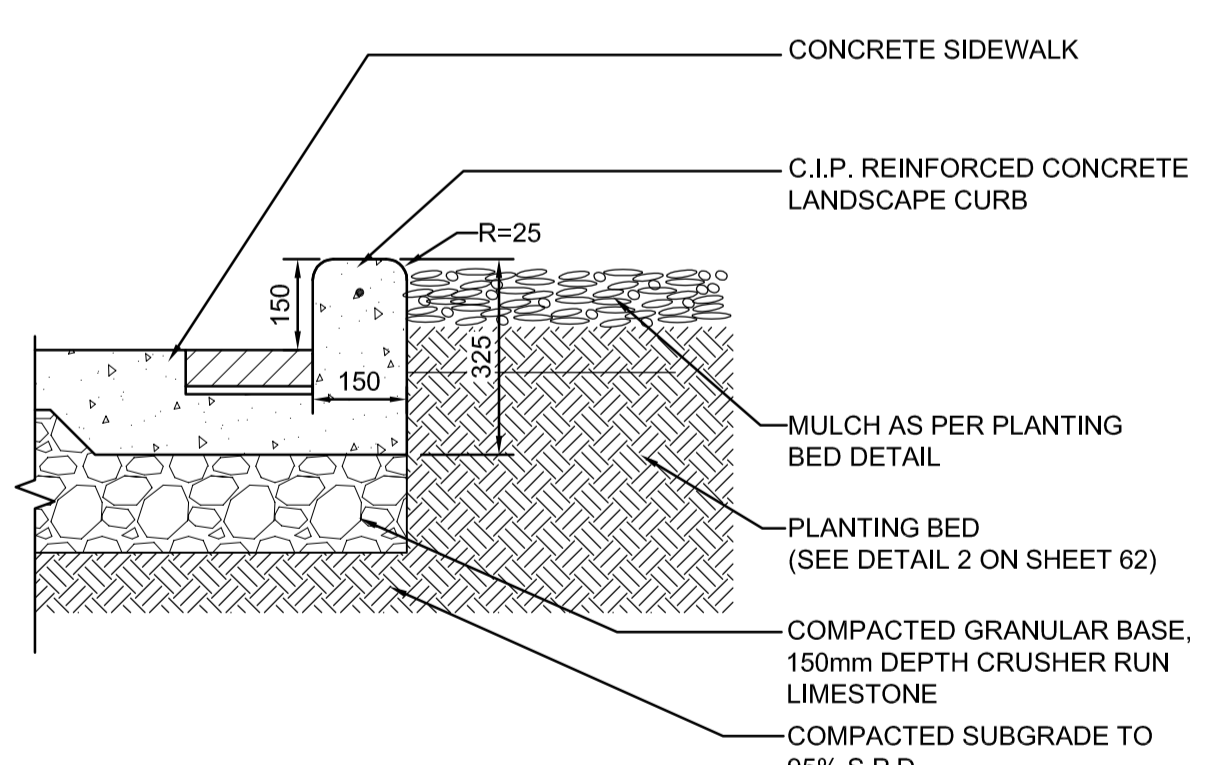
2 SIDEWALK PAVING BANDS

21, 22, 24, 25, 28, 29 49 SCALE N.T.S.



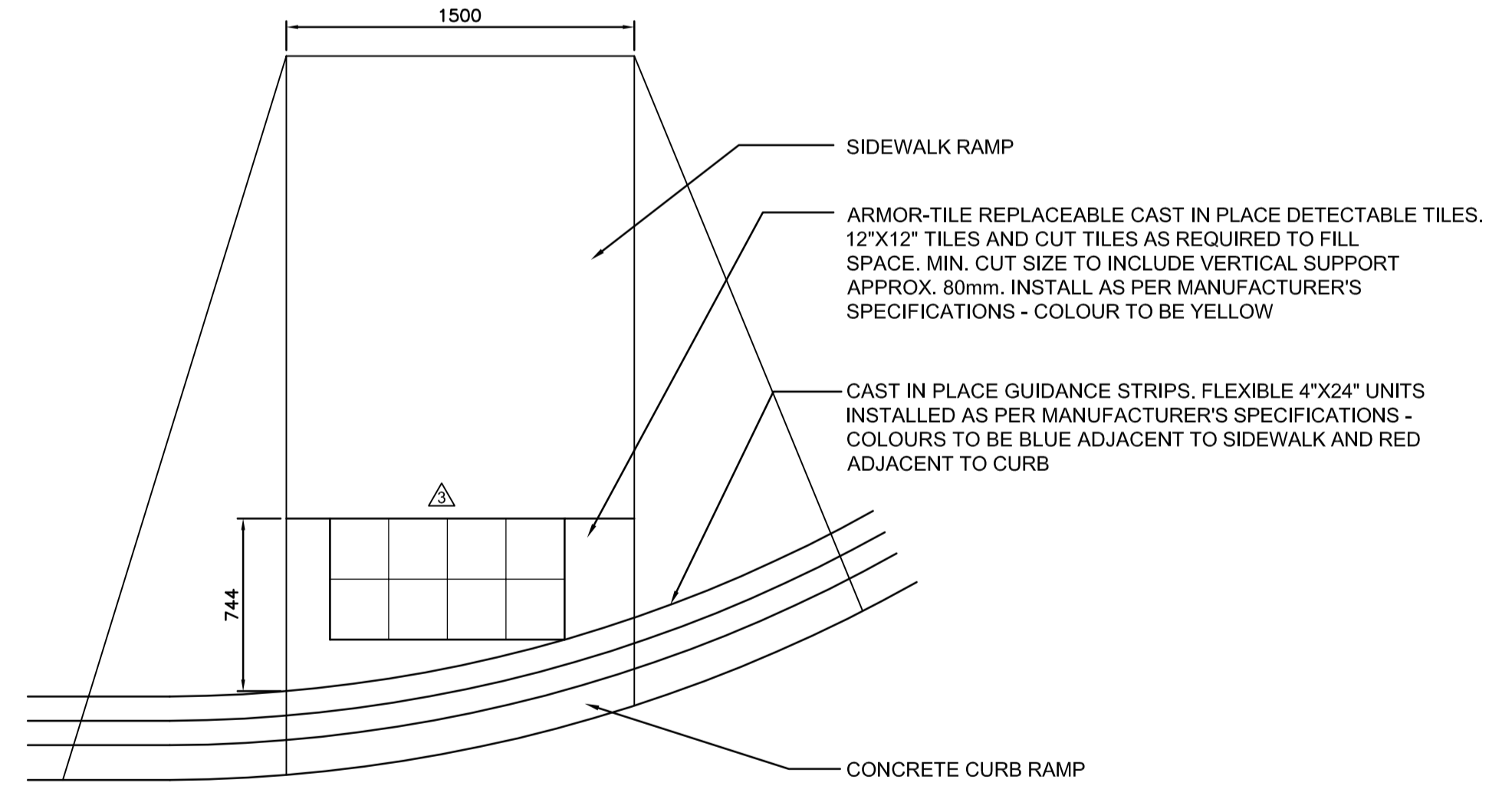
1 SIDEWALK RAMPS

60 49 SCALE N.T.S.



3 CIP CONCRETE LANDSCAPE CURB

60-62 49 SCALE N.T.S.



4 SIDEWALK RAMP - DETECTABLE PAVERS

64 49 SCALE N.T.S.



LOCATION UNDERGROUND STRUCTURES SUPPLY U/G STRUCTURES COMMITTEE DATE	APPROVED STRUCTURES DATE NOTE: LOCATION OF UNDERGROUND STRUCTURES AS SHOWN ARE BASED ON THE BEST INFORMATION AVAILABLE, BUT NO GUARANTEE IS GIVEN THAT ALL EXISTING UTILITIES ARE SHOWN OR THAT THE GIVEN LOCATIONS ARE EXACT. CONFIRMATION OF EXISTENCE AND EXACT LOCATION OF ALL SERVICES MUST BE OBTAINED FROM THE INDIVIDUAL UTILITIES BEFORE PROCEEDING WITH CONSTRUCTION.	B.M. 654265 (633392.694, 5525026.192) ELEV. 232.518	DESIGNED BY JW/SR DRAWN BY JW/TJH CHECKED BY ORIGINAL SIGNED BY TARAN J. PETERS APPROVED BY ORIGINAL SIGNED BY DAVE P. KRAHN		ENGINEER'S SEAL 		SOUTHWEST RAPID TRANSIT CORRIDOR - STAGE 1 TRANSITWAY CONSTRUCTION, DONALD/HARKNESS RECONSTRUCTION & ASSOCIATED WORKS	CITY DRAWING NUMBER P-3299-49 SHEET 49 OF 64 CONSULTANT DRAWING NUMBER C3-C3031-T
NO. REVISIONS DATE BY	1 ISSUED FOR ADDENDUM #2 05/15/09 TJP 2 ISSUED FOR TENDER 04/29/09 TJP 1 SUBMITTED FOR 95% REVIEW 02/13/09 TJP	HOR. SCALE N.T.S. VERTICAL N.T.S.	RELEASED FOR CONSTRUCTION ORIGINAL SIGNED BY RANDY FINGAS DATE 04/29/09	CONSULTANT PROJECT NO. 088813	SIDEWALK DETAILS			

G:\CAD\088813\Contract\Contract 3-Donald Street\Current\Roadway\C1-550-Sidewalk\_Details.dwg