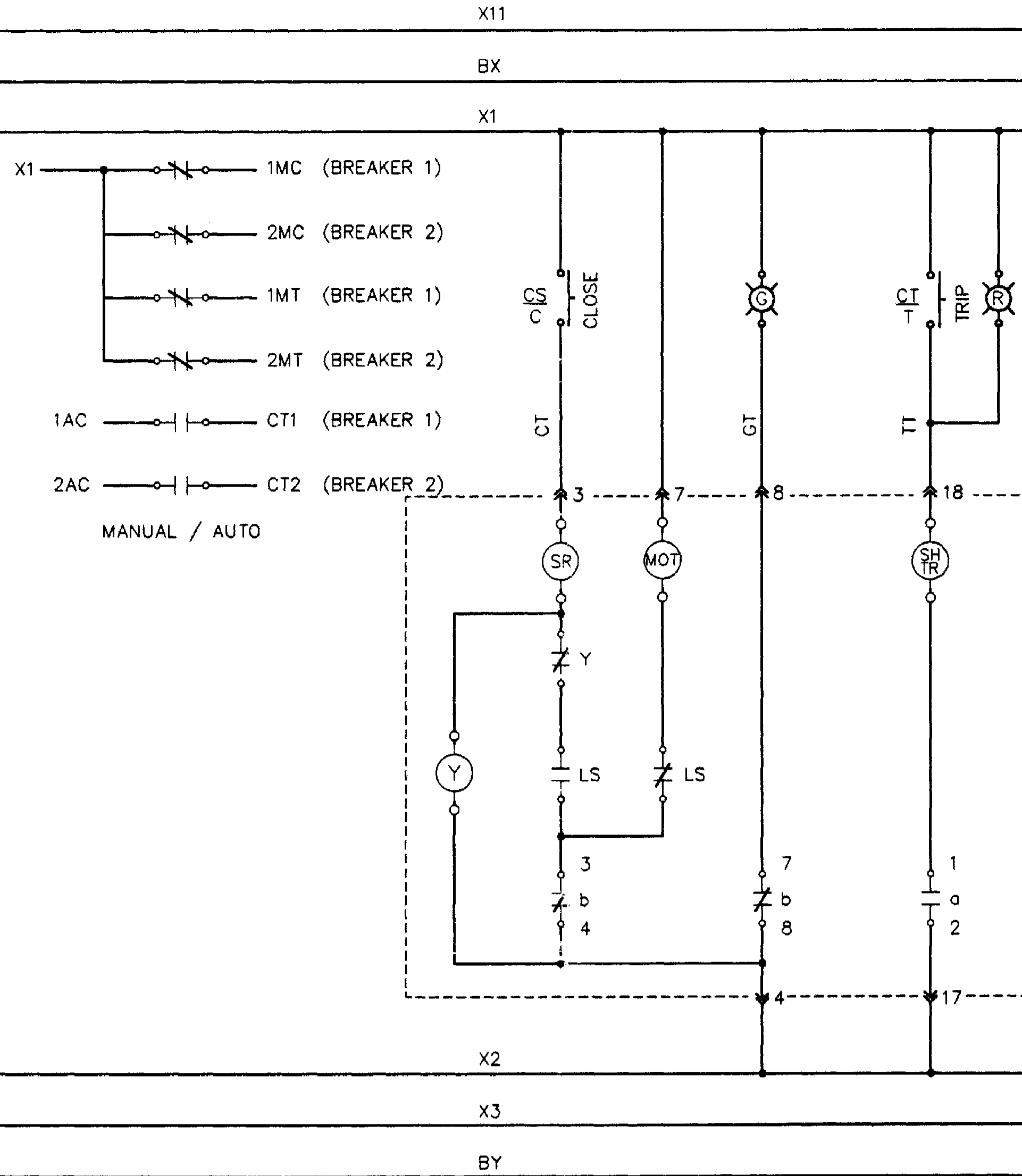
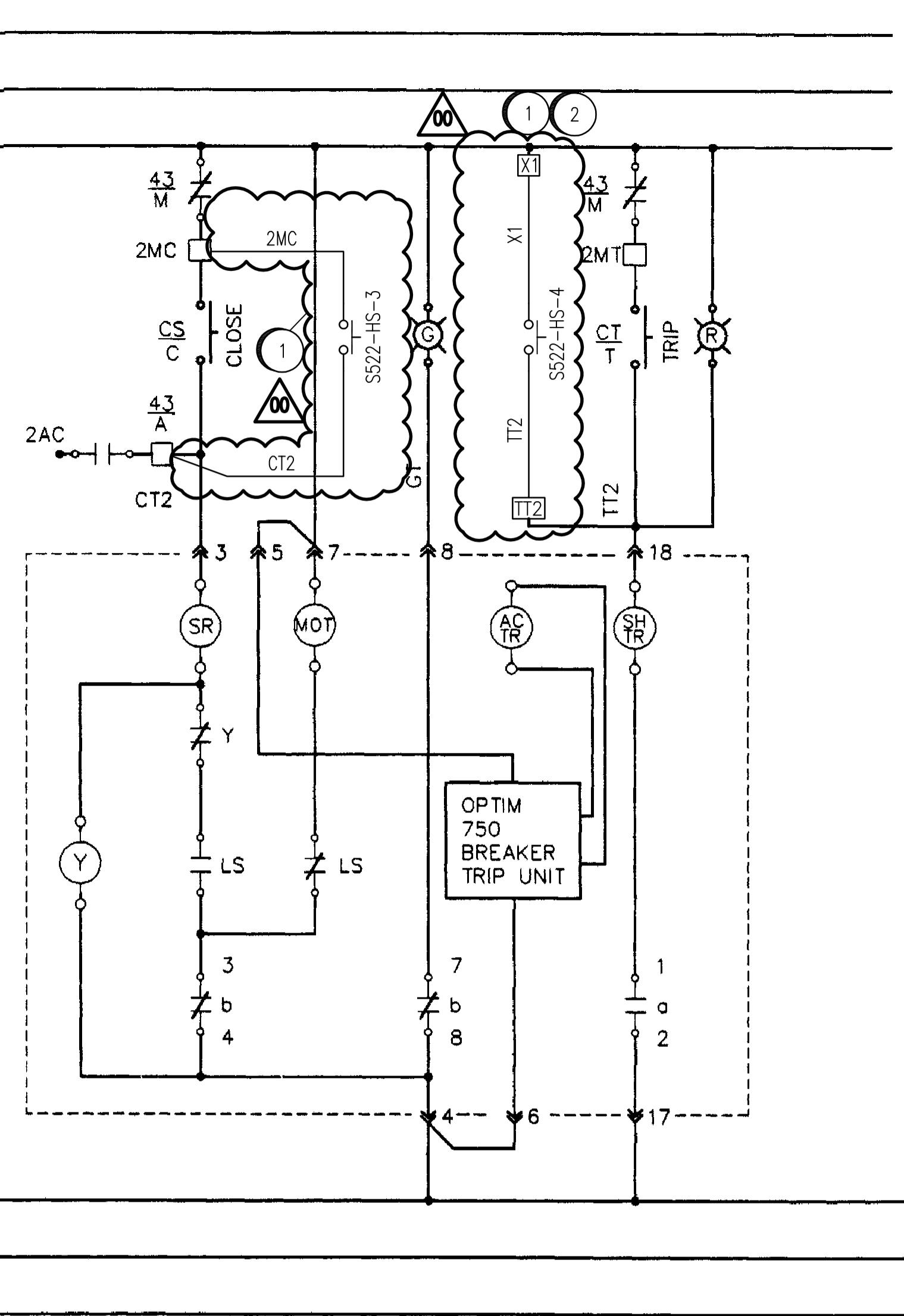


52-1



52-TIE



52-2

LEGEND

ACTR - ACTUATOR, SOLID STATE BREAKER TRIP

Y - ANTI-PUMP RELAY

SR - SPRING RELEASE

MOT - MOTOR FOR SPRING CHARGE

SH/TR - SHUNT TRIP

43/A, 43/M SELECTOR SWITCH "AUTO/MANUAL"

DCP-S10 - MAIN BREAKER REMOTE CONTROL (OPEN/CLOSE)

S521-HS-3 - REMOTE BREAKER-1 "CLOSE" PUSH BUTTON

S521-HS-4 - REMOTE BREAKER-1 "OPEN" PUSH BUTTON

S522-HS-3 - REMOTE BREAKER-2 "CLOSE" PUSH BUTTON

S522-HS-4 - REMOTE BREAKER-2 "OPEN" PUSH BUTTON

- X11
- BX
- BY
- X1
- X2
- X3
- 1MC
- 1MT
- 1AC
- CT1
- TT1

- X11
- BX
- BY
- X1
- X2
- X3
- 83X2
- 83Y2
- 1MC
- 2MC
- 1MT
- 2MT
- 1AC
- CT1
- 2AC
- CT2

- X11
- BX
- BY
- X1
- X2
- X3
- 2MC
- 2MT
- 2AC
- CT2
- TT2
- 83X2
- 83Y2

CONSTRUCTION NOTES

1 REMOVE 1VM AND 2VM VOLTAGE MONITORS.

2 WIRE NEW REMOTE OPEN AND CLOSE PUSHBUTTONS AS SHOWN.

NOTES:

1. DRAWING BASED ON J.R. STEPHENSON MFG. LTD. SHOP DRAWING NUMBER C1763 REV A.



DESIGNED BY:	EXISTING/N.BRADOO	CHECKED BY:	C. REIMER
DRAWN BY:	S. JUGANAS	APPROVED BY:	C. REIMER
SCALE:	NTS	RELEASED FOR CONSTRUCTION BY:	J. VEILLEUX
DATE:	2009/12/07	DATE:	2009/12/02
CONSULTANT NO.:	112577-0105-47DD-0505		
NO.	ISSUED FOR TENDER, BID OPP: 837-2009	DATE	DESIGN CHECK

SNC-LAVALIN INC.
148 Nature Park Way
Winnipeg, MB, Canada R3P 0X7
204-766-8000

DESIGNED BY: EXISTING/N.BRADOO
CHECKED BY: C. REIMER
DRAWN BY: S. JUGANAS
APPROVED BY: C. REIMER
SCALE: NTS
DATE: 2009/12/07
RELEASED FOR CONSTRUCTION BY: J. VEILLEUX
DATE: 2009/12/02
CONSULTANT NO.: 112577-0105-47DD-0505

ENGINEER'S SEAL

ORIGINAL DRAWING SEALED BY: N. BRADOO
SNC-LAVALIN
2009/12/07
REV. 00

CLOUDED CHANGES ONLY

THE CITY OF WINNIPEG
WATER AND WASTE DEPARTMENT

SOUTH END WATER POLLUTION CONTROL CENTRE
ELECTRICAL INSPECTION & UPGRADES
SCHEMATIC
FACILITY MAIN BREAKERS CONTROL SCHEMATIC

CITY DRAWING NUMBER: 1-0102S-E0016
SHEET: 001
REV: 00
SIZE: A1

1-0102S-E0017	DCP-S10 PANEL LAYOUT
1-0102S-E0015	THREE LINE DIAGRAM
DRAWING NUMBER	REFERENCE DRAWINGS