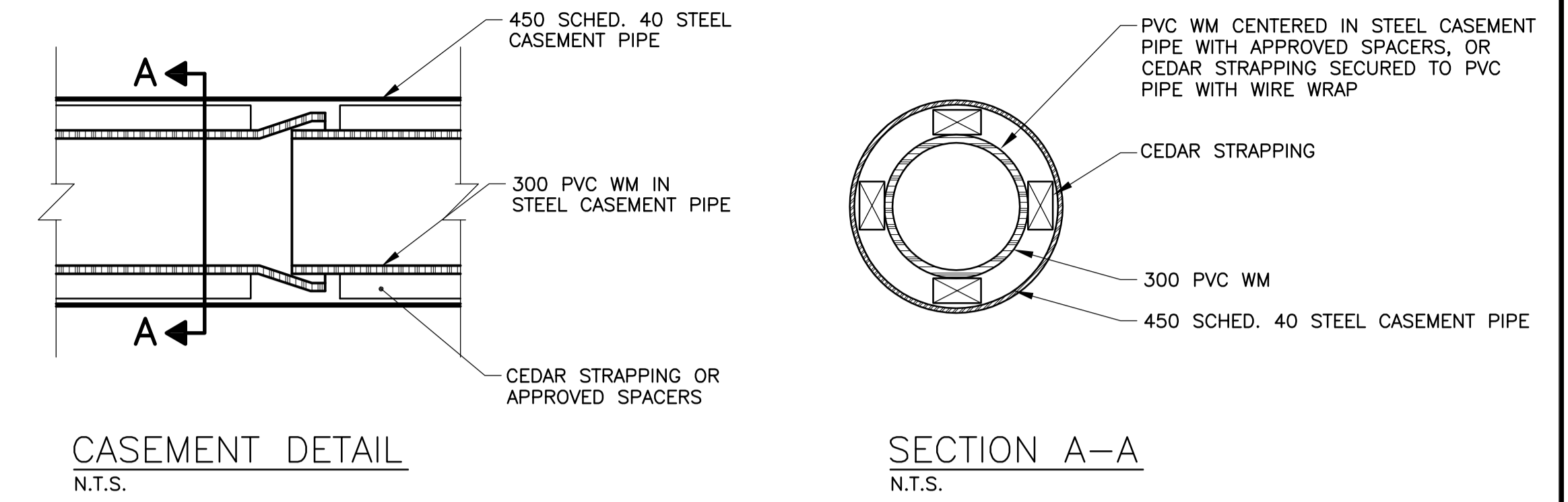
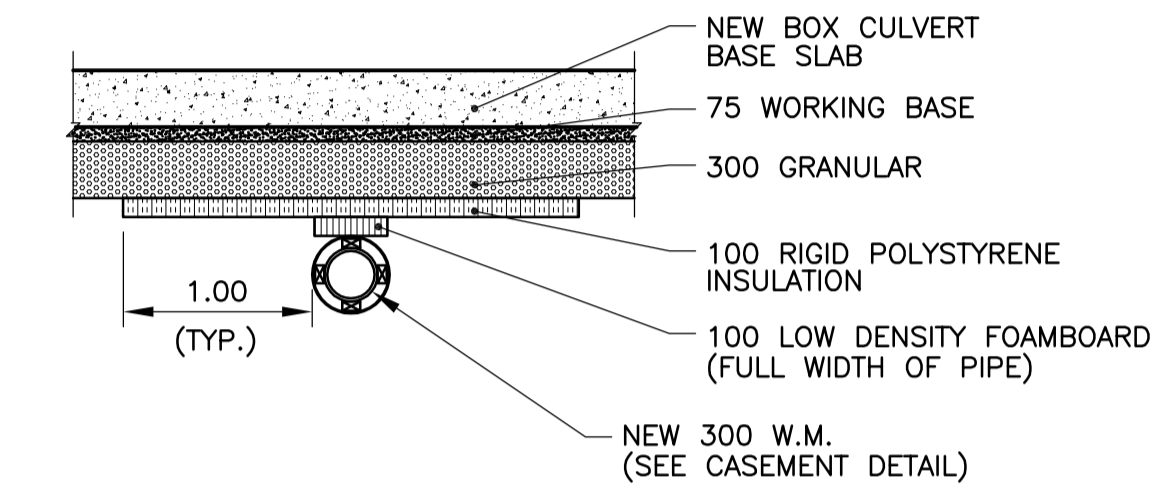


PROFILE  
SCALE VERT. 1:250  
HOR. 1:50

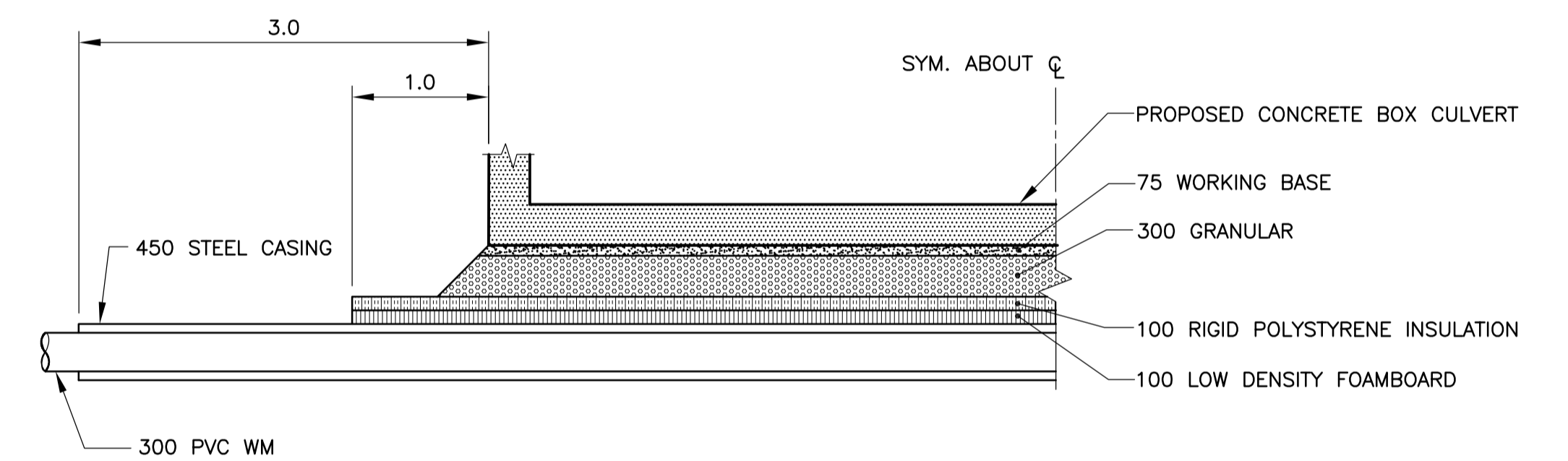


CASEMENT DETAIL  
N.T.S.

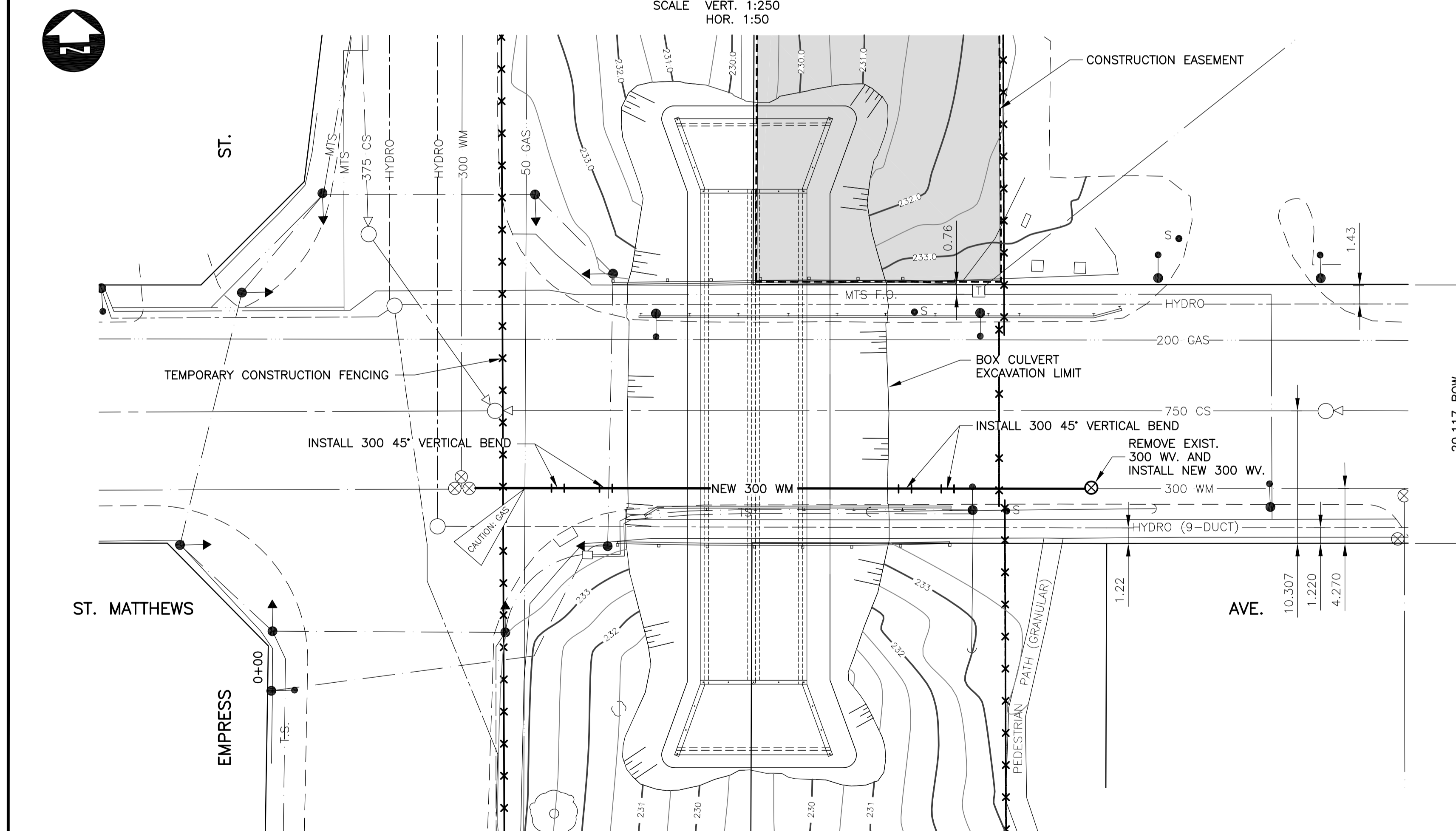
SECTION A-A  
N.T.S.



PIPE SECTION UNDER STRUCTURE  
SCALE 1:40



BASE DETAIL OVER WATERMAIN  
SCALE 1:40



PLAN  
SCALE 1:250

**WARNING**

IF POWER EQUIPMENT OR EXPLOSIVES ARE TO BE USED FOR EXCAVATION ON THIS PROJECT THE CONTRACTOR MUST:

1. NOTIFY THE GAS COMPANY OF THE PROPOSED LOCATION OF EXCAVATION.
2. TAKE PRECAUTION TO AVOID DAMAGE TO GAS COMPANY INSTALLATIONS  
SEE PROVINCIAL REGULATION 210/72 FOR DETAILS

**METRIC**

WHOLE NUMBERS INDICATE MILLIMETRES  
DECIMALIZED NUMBERS INDICATE METRES



150 mm W.M.	WATERMAIN	180 mm W.M.	HYDRO	150 mm W.M.	WATERMAIN	150 mm W.M.	WATERMAIN
300 mm L.O.S.	LAND DRAINAGE SEWER	300 mm L.O.S.	M.T.S.	300 mm L.O.S.	LAND DRAINAGE SEWER	300 mm L.O.S.	LAND DRAINAGE SEWER
250 mm W.W.S.	WASTE WATER SEWER	250 mm W.W.S.	TRAFFIC SIGNALS	250 mm W.W.S.	WASTE WATER SEWER	250 mm W.W.S.	WASTE WATER SEWER
MANHOLE	MANHOLE	MANHOLE	GAS	MANHOLE	MANHOLE	MANHOLE	MANHOLE
CATCH BASIN	CATCH BASIN	CATCH BASIN	SURVEY BAR	CATCH BASIN	CATCH BASIN	CATCH BASIN	CATCH BASIN
CURB INLET	CURB INLET	CURB INLET	FENCE	CURB INLET	CURB INLET	CURB INLET	CURB INLET
JUNCTIONS	JUNCTIONS	JUNCTIONS	CURB STOP SIGN	JUNCTIONS	JUNCTIONS	JUNCTIONS	JUNCTIONS
CULVERT	CULVERT	CULVERT	SIGN	CULVERT	CULVERT	CULVERT	CULVERT
GAS	GAS	GAS	HYDRO POLE	GAS	GAS	GAS	GAS
EXISTING	LEGEND-PLAN	PROPOSED	LIGHT STANDARD	EXISTING	LEGEND-PROFILE	PROPOSED	EXISTING

UNDERGROUND STRUCTURES	DATE
SUPV. U/G STRUCTURES COMMITTEE	
NOTE:	
LOCATION OF UNDERGROUND STRUCTURES AS SHOWN ARE BASED ON THE BEST INFORMATION AVAILABLE. BUT NO GUARANTEE IS GIVEN THAT ALL EXISTING UTILITIES ARE SHOWN OR THAT THE GIVEN LOCATIONS ARE EXACT. CONFIRMATION OF EXISTENCE AND EXACT LOCATION OF ALL SERVICES MUST BE OBTAINED FROM THE INDIVIDUAL UTILITIES BEFORE PROCEEDING WITH CONSTRUCTION.	

B.M. ELEV.	37-023	1320 Ellice Ave. N.W. Corner Bldg Fndtn.	DESIGNED BY	SKB
	233.965 m		DRAWN BY	SKB
			CHECKED BY	BWB
			APPROVED BY	BWB
			ORIGINAL SIGNED BY:	BWB
			HOR. SCALE	AS SHOWN
			VERTICAL	AS SHOWN
0	ISSUE FOR TENDER	2009.11.05	RELEASED FOR ORIGINAL CONSTRUCTION	SIGNED BY:
			M.B. CHISLETT	DATE
			2009.11.23	

ENGINEER'S SEAL	
ORIGINAL SIGNED BY	B.W. BIGLOW
	2009.11.03
CONSULTANT PROJECT NO.	088683



ENGINEER'S SEAL	
ORIGINAL SIGNED BY	B.W. BIGLOW
	2009.11.03
CONSULTANT PROJECT NO.	088683

<b>OMAND'S CREEK CULVERT THROUGH ST. MATTHEWS AVENUE</b>	
CITY DRAWING NUMBER	C331-09-12
SHEET	12 OF 13
<b>WATERMAIN RENEWAL</b>	
BID OPPORTUNITY NUMBER	801-2009