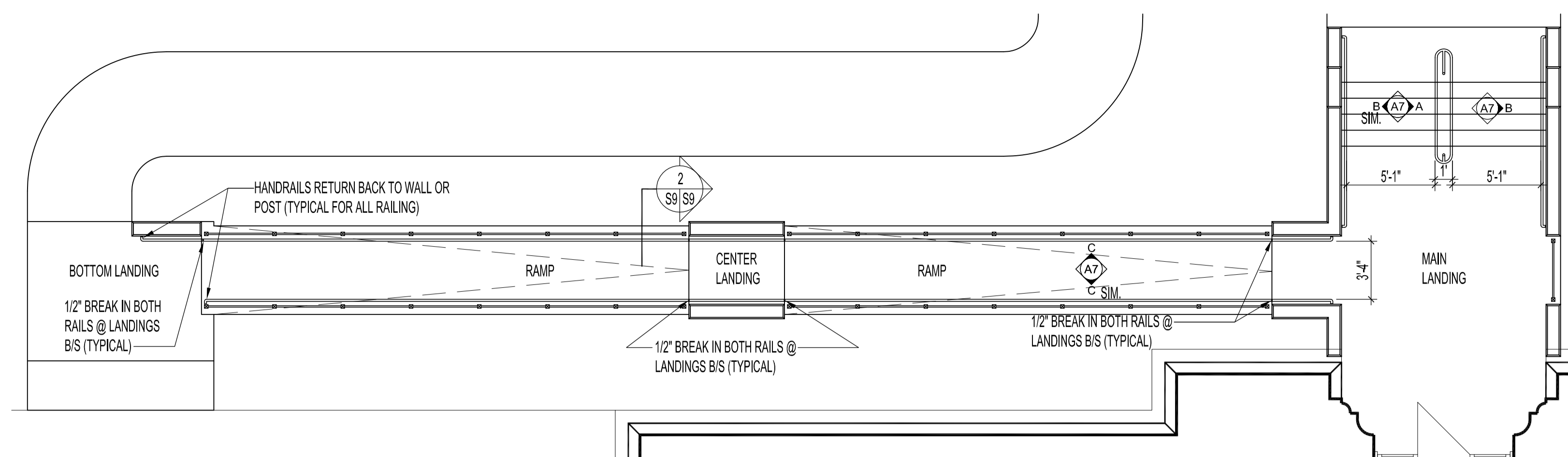
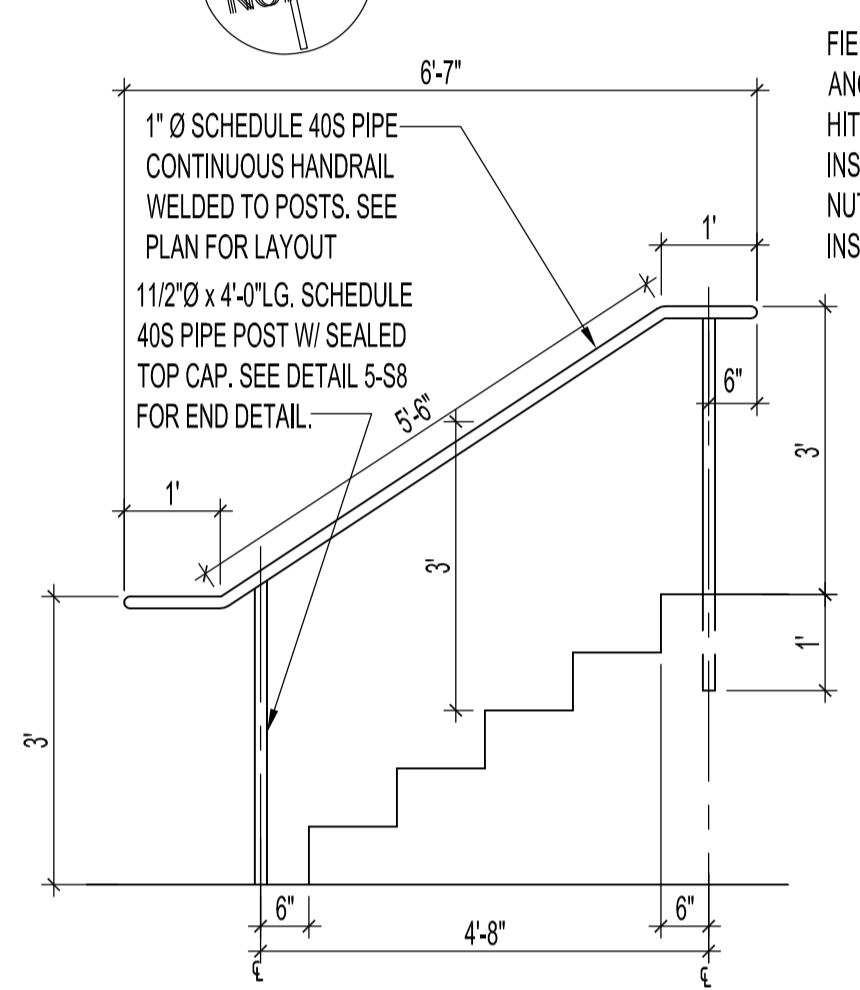


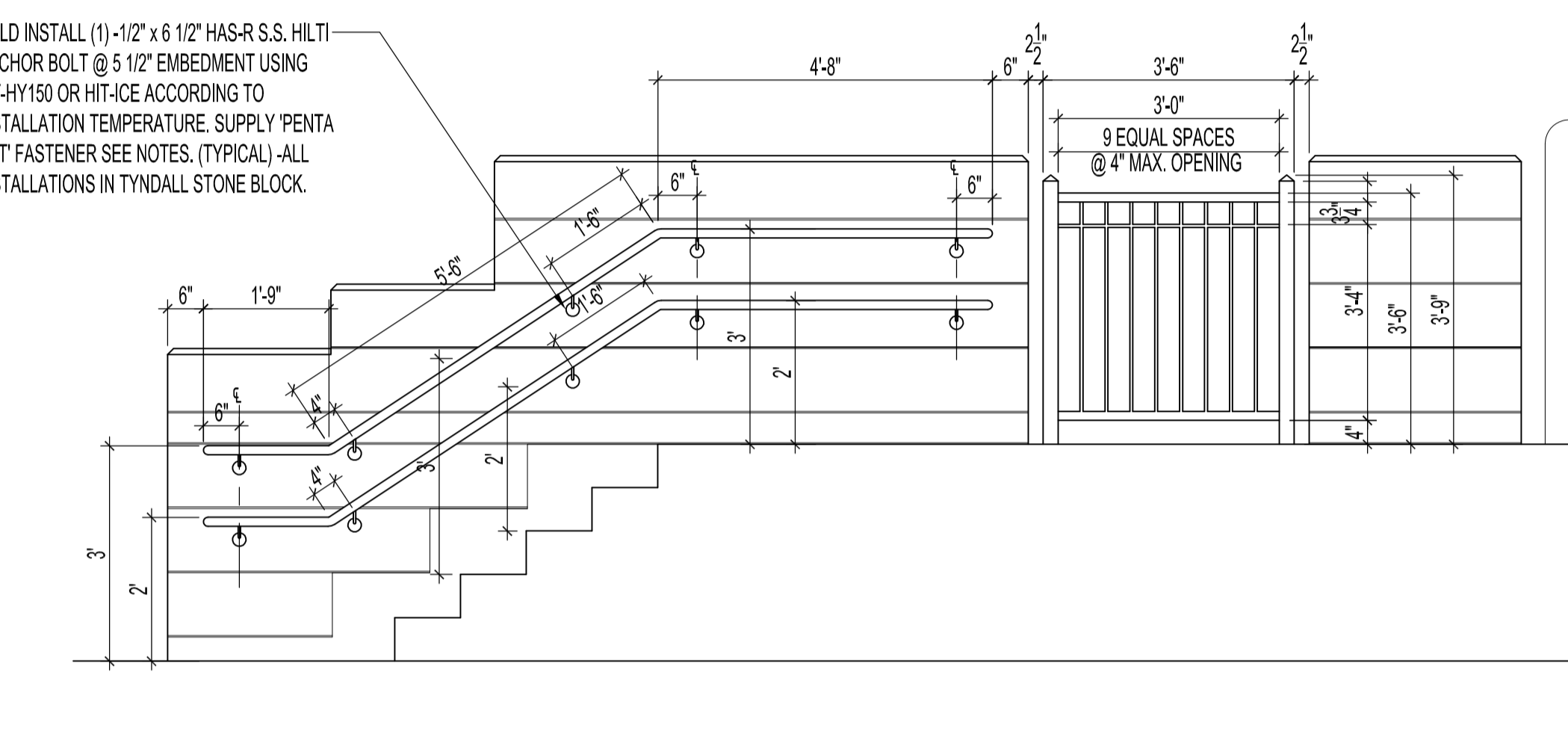
FILE NAME: 200808010.dwg(S9) DATE: 2009.08.25 DESCRIPTION: GUARDRAIL & HANDRAIL ELEVATIONS, SECTIONS & DETAILS PROJECT No: 2008-080 ADDRESS: 380 WILLIAM AVENUE



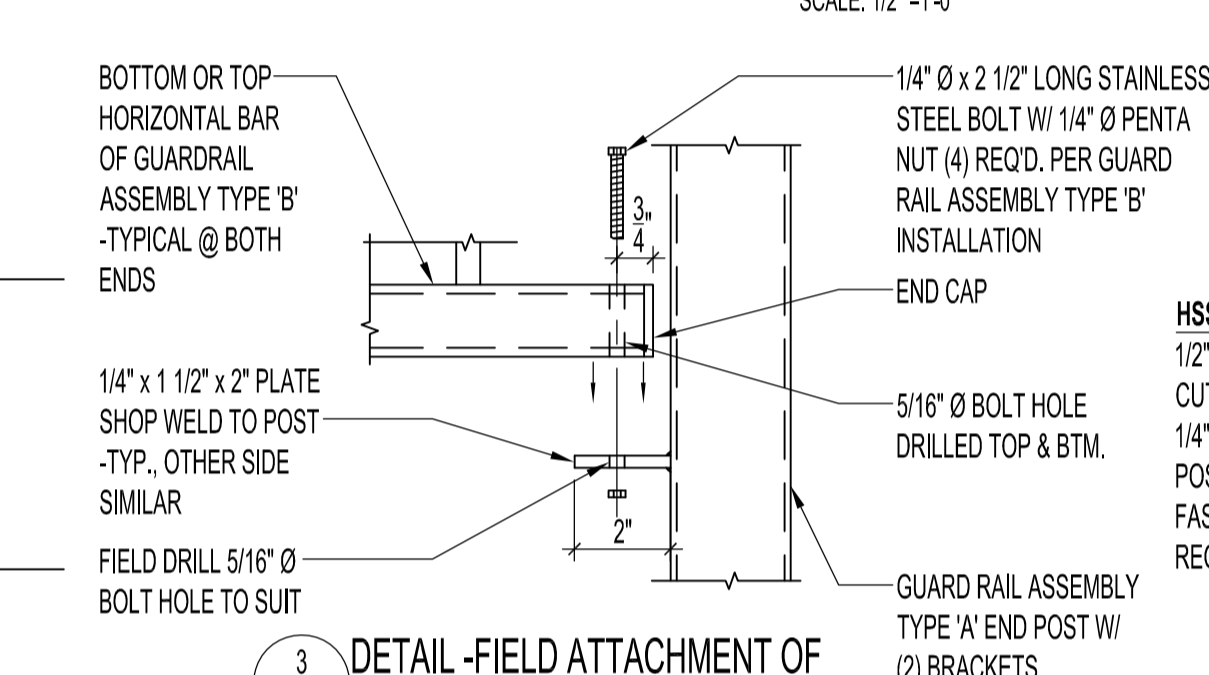
PARTIAL SITE PLAN - RAMP & MAIN LANDING RAILING LAYOUT
SCALE: 3/16"=1'-0"



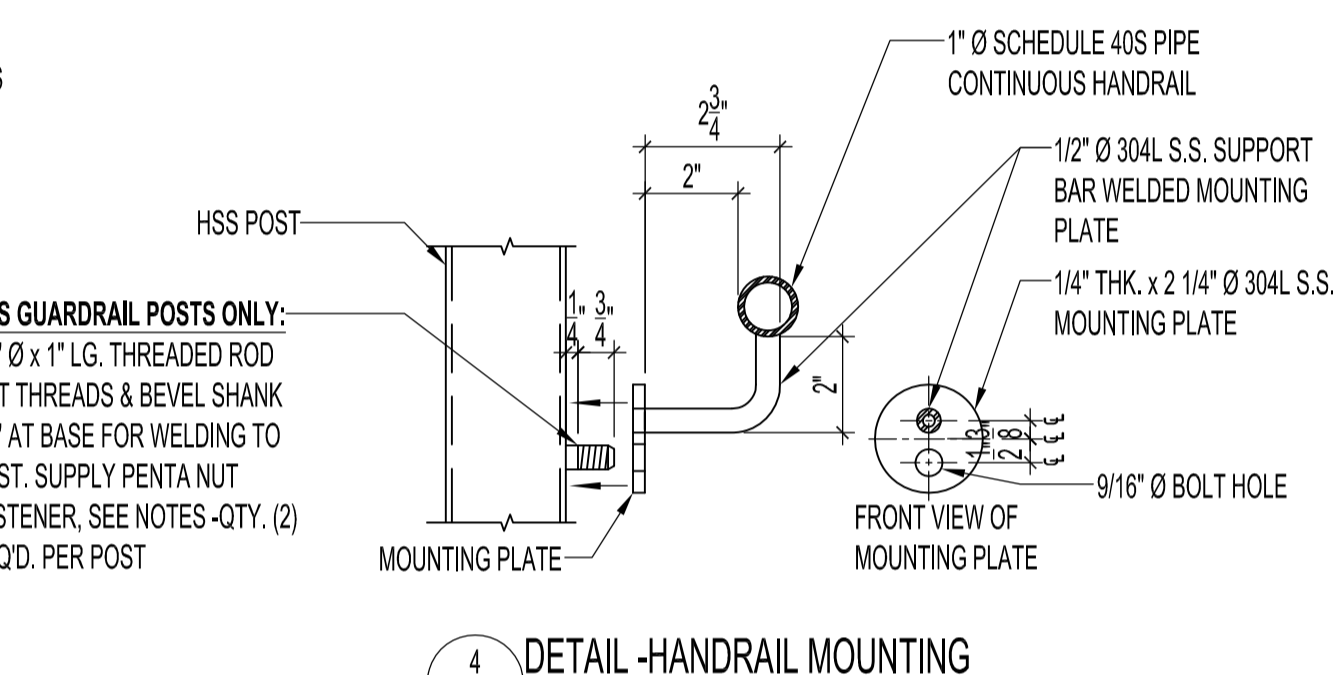
A ELEVATION - MAIN LANDING CENTER HANDRAIL
SCALE: 1/2"=1'-0"



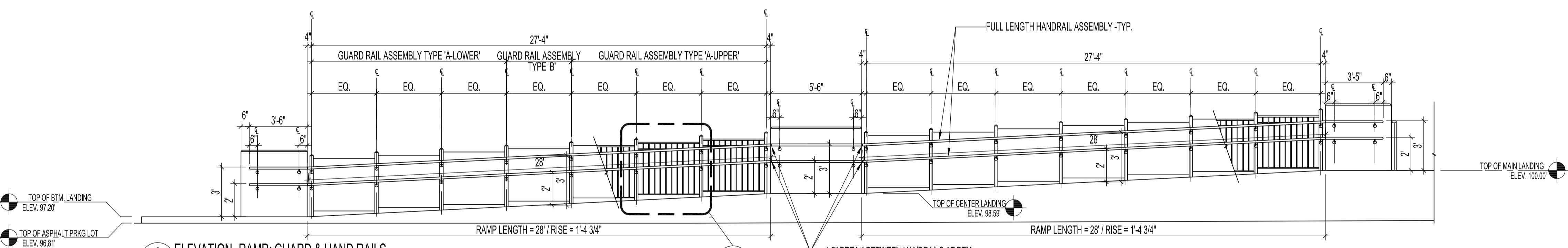
B ELEVATION - MAIN LANDING HANDRAIL
SCALE: 1/2"=1'-0"



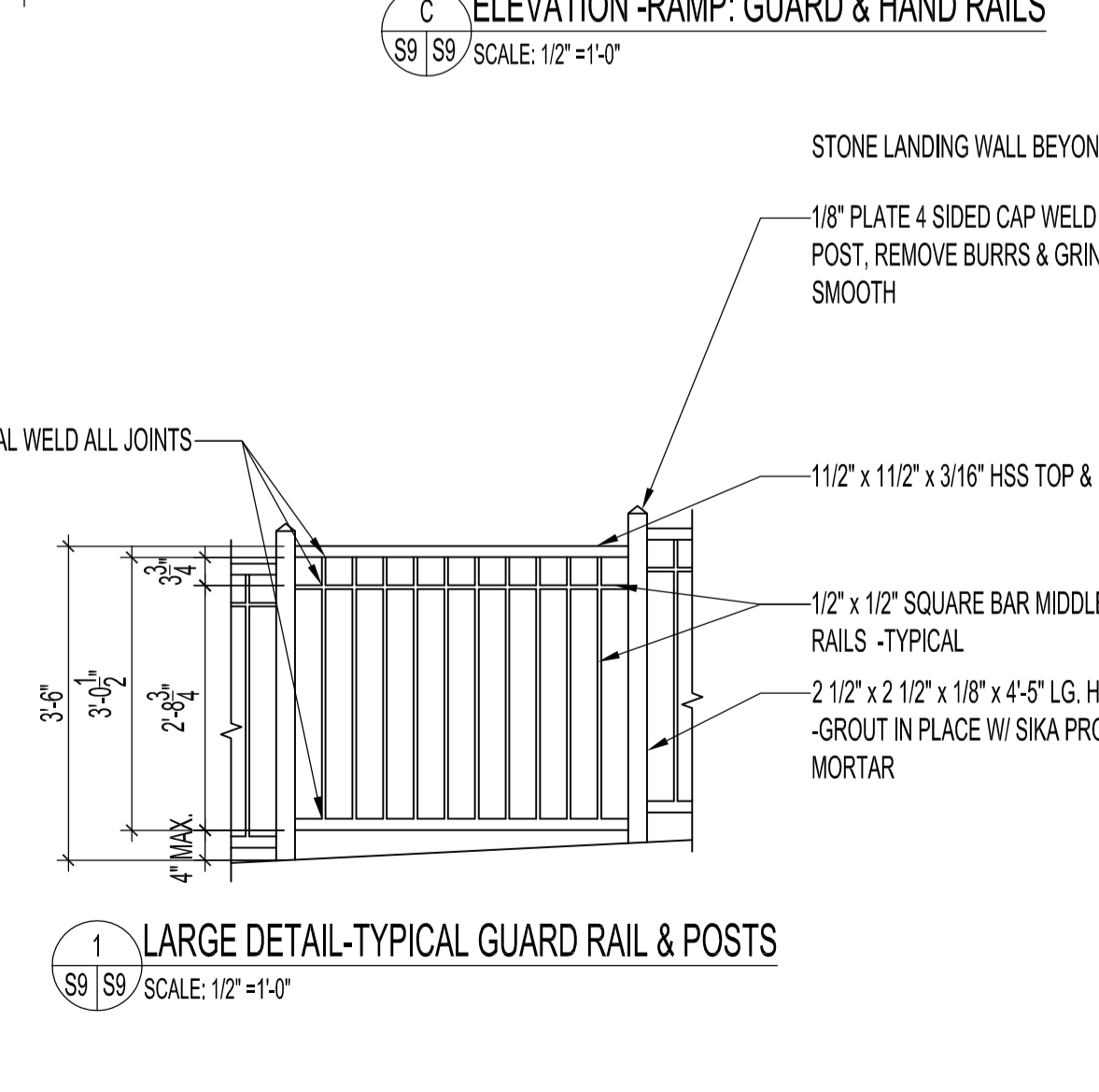
3 DETAIL - FIELD ATTACHMENT OF GUARD RAIL ASSEMBLIES
SCALE: 3"=1'-0"



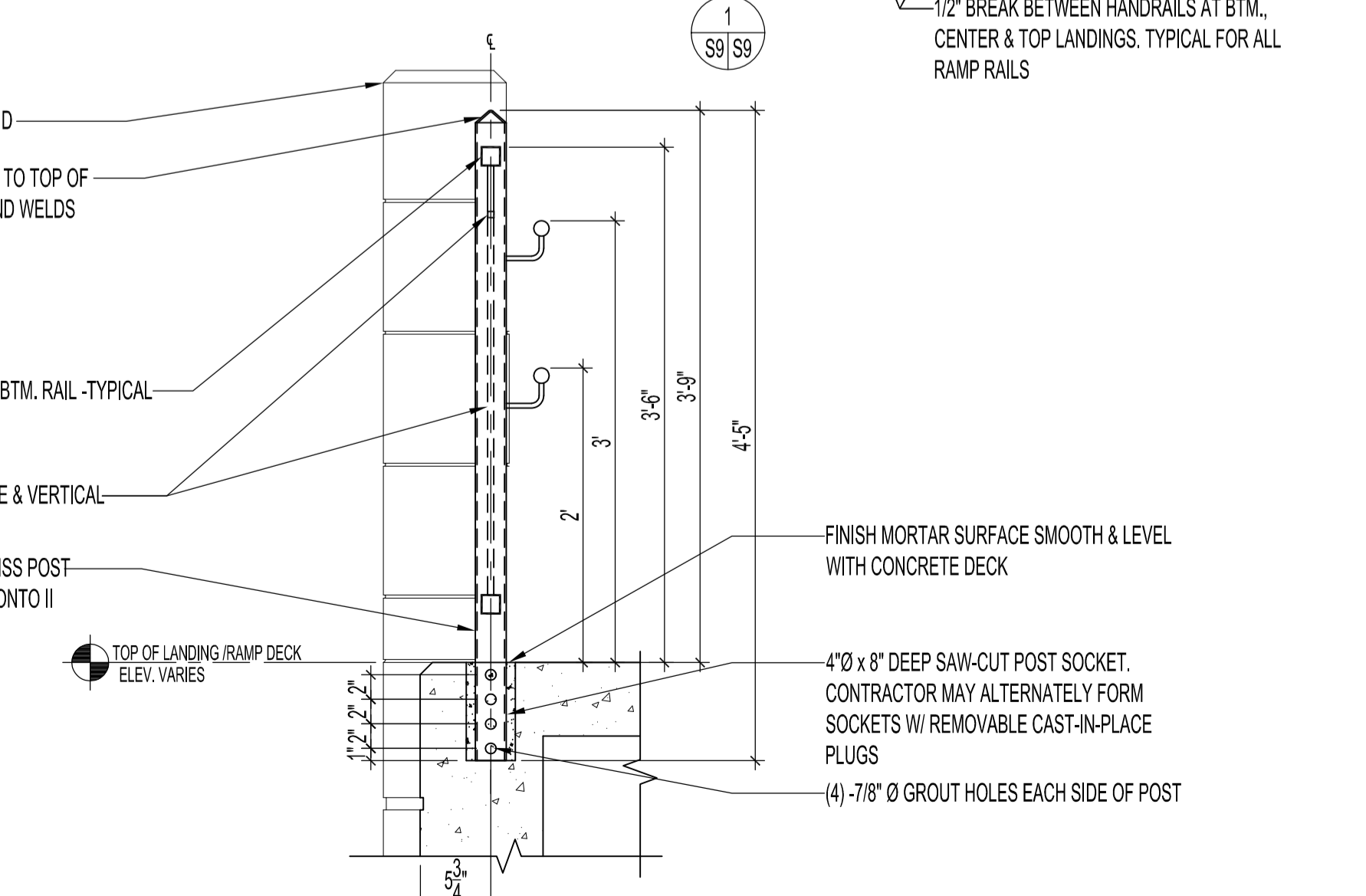
4 DETAIL - HANDRAIL MOUNTING
SCALE: 3"=1'-0"



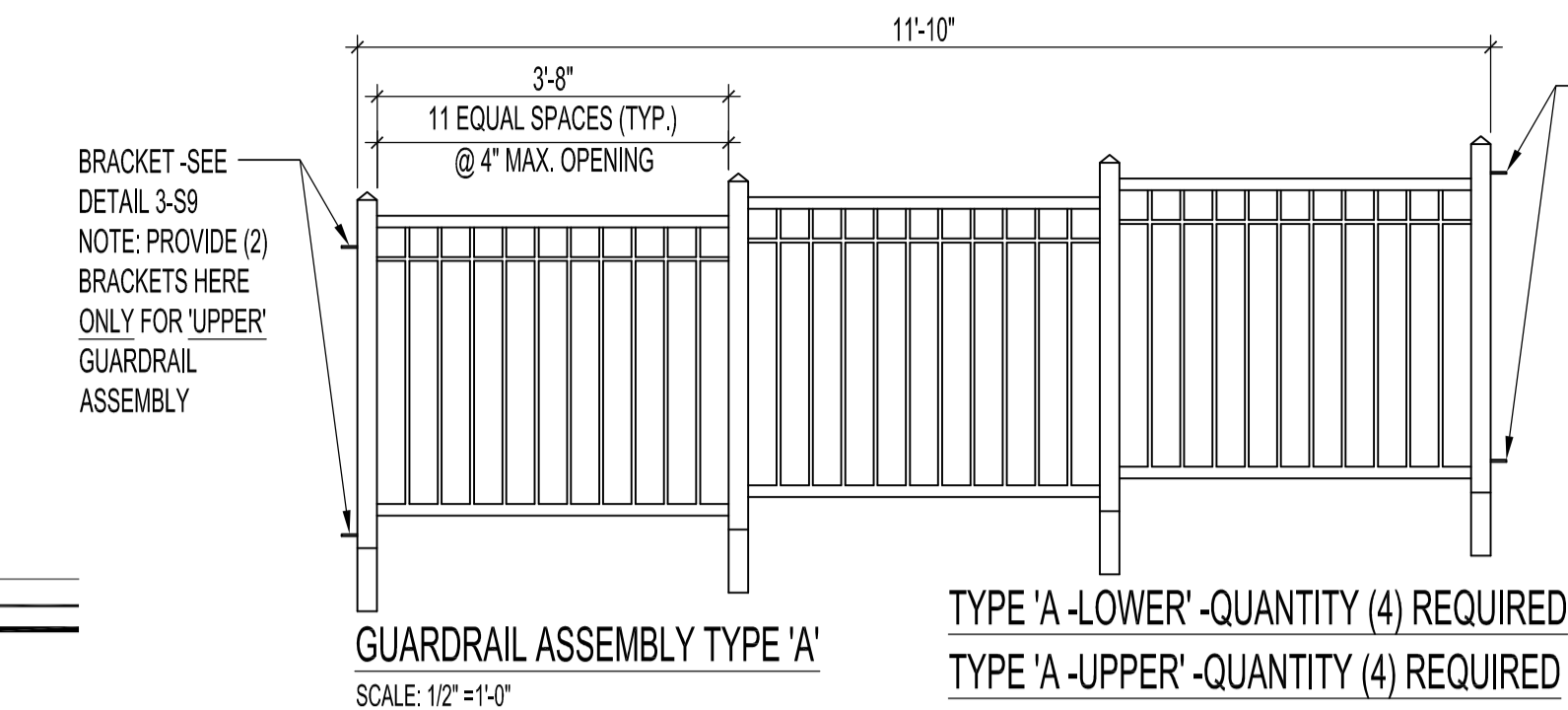
C ELEVATION - RAMP: GUARD & HAND RAILS
SCALE: 1/2"=1'-0"



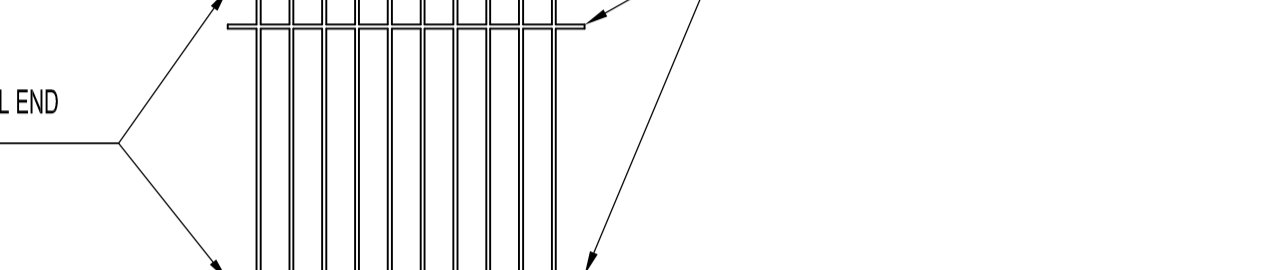
1 LARGE DETAIL - TYPICAL GUARD RAIL & POSTS
SCALE: 1/2"=1'-0"



2 SECTION - TYPICAL GUARD RAIL & POSTS
SCALE: 1"=1'-0"



GUARDRAIL ASSEMBLY TYPE 'A'
SCALE: 1/2"=1'-0"



GUARDRAIL ASSEMBLY TYPE 'B' - QUANTITY (4) REQUIRED
SCALE: 1/2"=1'-0"

NOTES :
ALL HANDRAIL ASSEMBLIES AND HARDWARE TO BE 304L STAINLESS STEEL, FINISH: NO 4 (BRUSHED).
ALL HANDRAILS TO BE FASTENED WITH 1/2" Ø PENTA NUT, TAMPER RESISTANT NUTS SUPPLIED BY BRYCE FASTENER CO., GILBERT, ARIZONA USA. UPON COMPLETION OF WORK, SUBMIT PROPRIETARY SOCKET TO CONTRACT ADMINISTRATOR.

ORIGINAL STAMPED BY: B. C. PINIUTA, P. ENG.
DATE: 2009.10.08

| NO. | REVISION/DESCRIPTION | BY | DATE |
|-------|----------------------|----|------|
| SEALS | | | |

| DRAWN BY | CHECKED BY | APPROVED |
|----------|---------------|----------|
| MMK | USER APPROVAL | |
| DATE | 2009.08.25 | |

CITY OF WINNIPEG
PLANNING, PROPERTY AND DEVELOPMENT DEPARTMENT
CIVIC ACCOMMODATIONS DIVISION
300 - 65 GARRY ST. R3C 4K4

PROJECT
CITY ARCHIVES BUILDING
BARRIER FREE ACCESS TO ENTRANCE & FENCE RECONSTRUCTION
380 WILLIAM AVENUE

SHEET TITLE
GUARDRAIL & HANDRAIL ELEVATIONS, SECTIONS & DETAILS

| SCALE | PROJECT NO. | SHEET NO. |
|----------|-------------|-----------|
| AS SHOWN | 2008-080 | S9 |