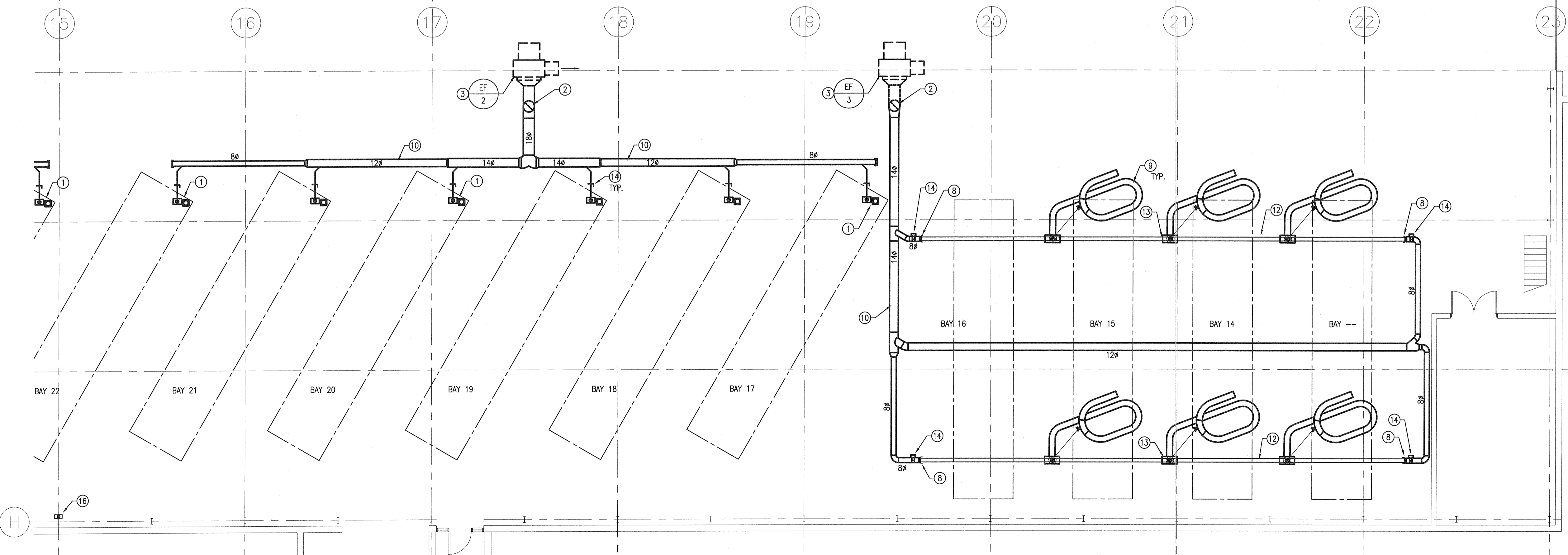


MAIN FLOOR REPAIR GARAGE PART PLAN
SCALE: 1/8"=1'-0"

FF-1/EF-2 SIZING CRITERIA:
-MAX NUMBER OF ACTIVE PICKUP POINTS: 6 PER SYSTEM AT 700 CFM PER POINT.
FF-3 SYSTEM SIZING CRITERIA:
-MAX NUMBER OF ACTIVE PICKUP POINTS: 3 TOTAL AT 700 CFM EACH.
-MAX NUMBER OF ACTIVE PICKUP POINTS PER RAIL: 2 AT 700 CFM EACH.



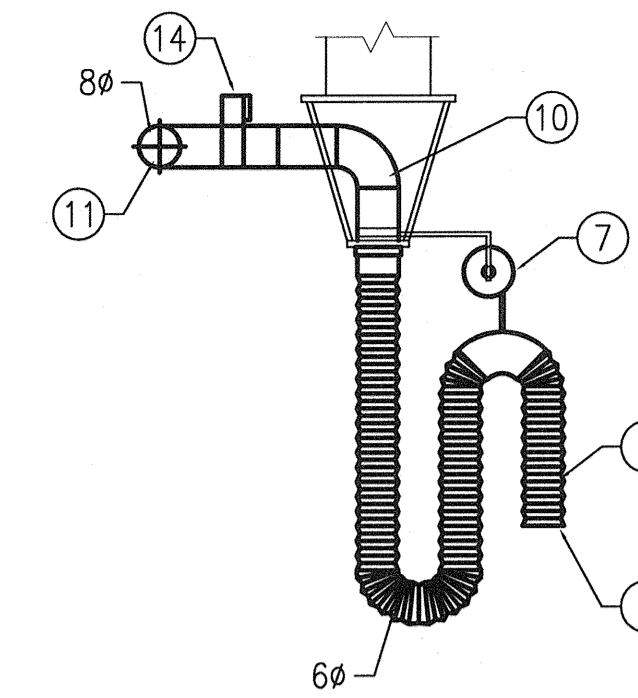
MAIN FLOOR REPAIR GARAGE PART PLAN
SCALE: 1/8"=1'-0"

GENERAL NOTES:

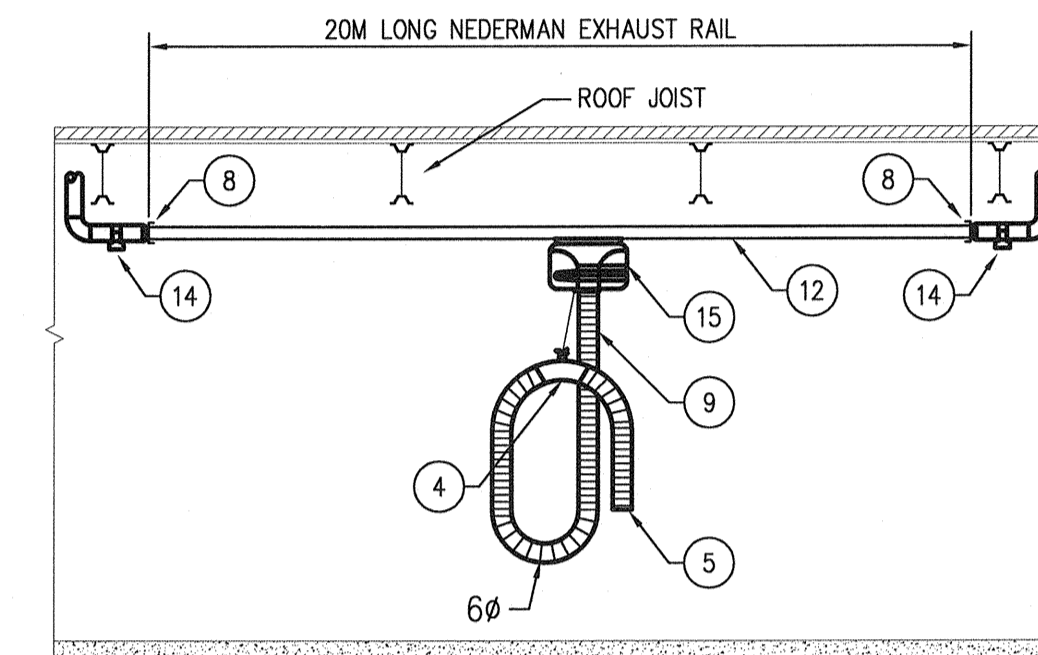
- A. CONTRACTOR TO VERIFY EXACT LOCATION AND DIMENSIONS OF NEW DUCTWORK ON SITE PRIOR TO INSTALLATION AND FABRICATION. REPORT ANY DISCREPANCY TO THE CONTRACT ADMINISTRATOR.
- B. DO NOT SCALE OFF THIS DRAWING. THIS DRAWING ONLY SHOWS THE GENERAL SCHEMATIC OF NEW SYSTEM.
- C. CONTRACTOR SHALL INCLUDE FOR AND PROVIDE ALL COORDINATION BETWEEN TRADES AND CONTRACT ADMINISTRATOR ON AND OFF SITE AS REQUIRED FOR INSTALLATION OF MECHANICAL SYSTEMS.
- D. REFER TO SPECIFICATION ON THIS SHEET FOR PART NUMBERS OF NEDERMAN EXHAUST EXTRACTION SYSTEM COMPONENTS.
- E. COORDINATE DUCT, RAIL, HOSE AND BALANCER LOCATIONS AND RANGE OF MOVEMENT WITH EXISTING SERVICES (OVERHEAD REELS FOR OILING/LUBRICATION), LIGHT FIXTURES, AND STRUCTURAL BUILDING MEMBERS.

DRAWING NOTES: ##

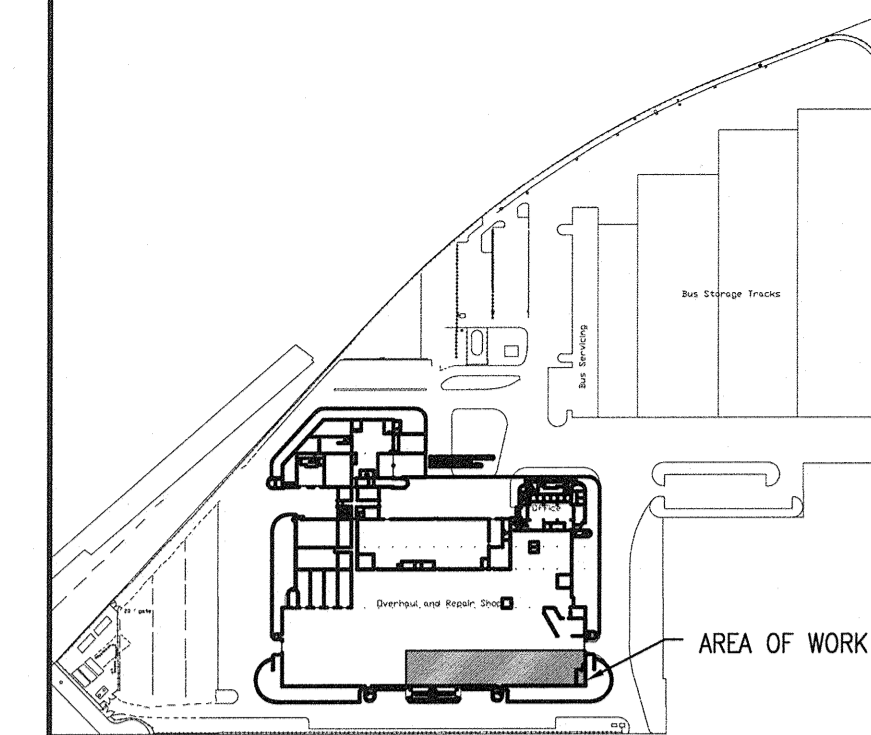
1. TAIL PIPE EXHAUST HOSE C/W BALANCER CONNECTED TO TRUNK DUCT. DUCT TO BE INSTALLED 16"-0" ABOVE FLOOR. (TYPICAL OF 12). AVERAGE EXHAUST RATE PER TAIL PIPE 700 CFM. REFER TO DETAIL 1/M1.1.
2. DUCT UP THROUGH ROOF.
3. TAIL PIPE EXHAUST FAN MOUNTED ON ROOF ABOVE. FAN SHALL OPERATE ON BMS SCHEDULE.
4. METAL ELBOW SUPPORT CONNECT METAL ELBOW SUPPORT TO DAMPER AS PER MANUFACTURER'S GUIDELINES.
5. LEAVE EXTRACTION HOSE OPEN ENDED. THE CITY SHALL FABRICATE CUSTOM NOZZLE/CANOPY AND INSTALL IN FUTURE WITH OWN FORCES.
6. SINGLE HOSE EXTRACTOR, FOR BUS SERVICE STALLS. (TYPICAL OF 12).
7. HOSE BALANCER. (TYPICAL OF 12).
8. USE RAIL-END FITTING (NEDERMAN SIDE OUTLET) AND DUCT TRANSITION TO CONNECT TO 8" SPIRAL DUCT.
9. FLEXIBLE EXHAUST HOSE CONNECTED TO TROLLEY ASSEMBLY. (TYPICAL OF 6).
10. SHEET METAL DUCT WORK BY DIVISION 15.
11. CONNECT TO TRUNK DUCT.
12. NEDERMAN EXHAUST EXTRACTION RAIL 20 METER LONG. CROSS-BRACE RAIL TO ROOF JOISTS TO ACHIEVE RIGID INSTALLATION. FOLLOW EXISTING INSTALLATION EXAMPLE OF NEDERMAN RAILS IN WELDING SHOP AREA OF THIS BUILDING. REVIEW THE PROPOSED CROSS-BRACING WITH CONTRACT ADMINISTRATOR PRIOR TO INSTALLATION. INSTALL RAIL AT HIGH LEVEL CLOSE TO U/S ROOF JOISTS.
13. TROLLEY C/W HOSE AND ACCESSORIES BY NEDERMAN. HOSE TERMINATION TO BE FABRICATED BY THE CITY OF WINNIPEG. EXHAUST RATE AT HOSE 700 CFM. REFER TO DETAIL 2/M1.1.
14. BLAST GATE BALANCING DAMPER. BLAST GATE SHALL BE FULL COLLAR, CAST ALUMINUM WITH GALVANIZED SIDES.
15. TROLLEY ASSEMBLY C/W BALANCER AND DAMPER MOUNTED TO EXHAUST EXTRACTION RAIL. (TYPICAL OF 6).
16. EXISTING OVERRIDE PUSH BUTTON AS DESCRIBED IN SPECIFICATION SECTION 15900. TIE-IN NEW EXHAUST FANS TO EXISTING BUTTON.



1 HOSE AND BALANCER DETAIL
M1.1 SCALE: N.T.S



2 TROLLEY AND RAIL EXHAUST DETAIL
M1.1 SCALE: N.T.S



KEY PLAN
N.T.S

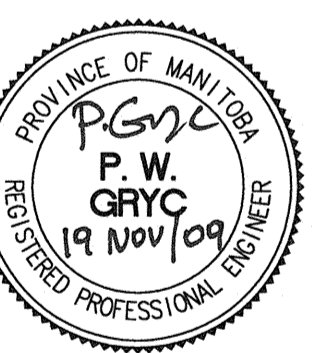
NEDERMAN EXHAUST SYSTEM - PART LIST

QTY	PART NO.	PART NO. DESCRIPTION
CAR AND TRUCK SERVICE STALLS		
6	20373796	ACCESSORY FOR EXTRACTION UNIT 920. DAMPER FOR 920/1500 #160.
6	20823562	EXHAUST HOSE NFC(3), FABRIC, GREEN-GRAY WITH BLUE HELIX. FOR MAX 600FT. #150MM, LENGTH 7.5M.
6	20373609	HOSE SUSPENSION #150MM.
6	20374380	ACCESSORY FOR EXTRACTION UNIT 920. TROLLEY #160MM FOR 920/1500 WITH BALANCER.
2	20916720	EXHAUST RAIL 920, HORIZONTAL UNIT. (COMPLETE WITH SUSPENSION PARTS). LENGTH 20M, C/W ACCESSORY FOR EXHAUST RAIL 920. SIDE OUTLET #160.

BUS SERVICE STALLS

12	20813463	SINGLE EXHAUST EXTRACTOR, WITH BALANCER. HOSE #150MM, WITH 6M NFC(3) HOSE.
----	----------	--

7.			
6.			
5.			
4.			
3.			
2.			
1.	ISSUED FOR BID OPPORTUNITY	PG	19/11/09
NO.	Revisions	BY	DD/MM/YY



SMS ENGINEERING

SMS Engineering Ltd. Consulting Engineers
770 Bradford Street Winnipeg MB Canada R3M 0M3
Telephone 204.775.0291 Fax 204.772.2153
sms@smseng.com

Project Title
CITY OF WINNIPEG - FORT ROUGE TRANSIT GARAGE VEHICLE EXHAUST
WINNIPEG MANITOBA

Drawing Title
MAIN FLOOR PART PLAN EXHAUST SYSTEM LAYOUT

Drawn By PCO/RNS	Checked By JS/RE	Approved By PWG
Scale AS NOTED	Date OCTOBER 2009	Project No. 09-215-01
Revision Number 1	Drawing Number M1.1	Sheet Order 1 OF 1