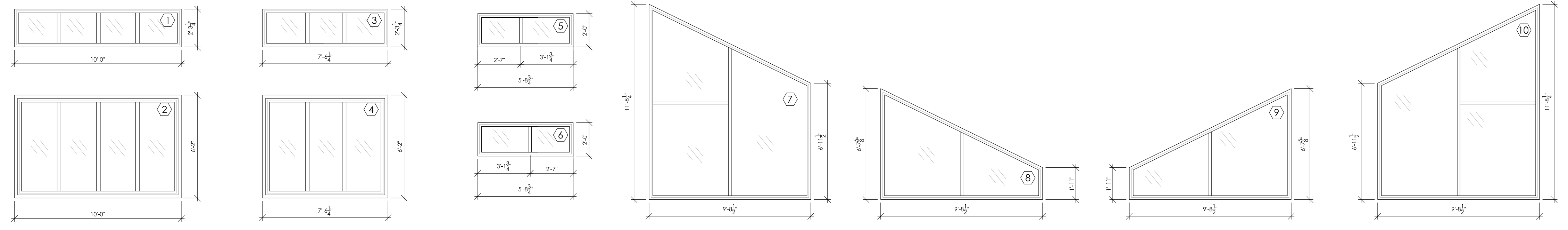


ASSINIBOINE PARK ZOO ASIATIC LION PAVILLION WINDOW SCHEDULE						
WINDOW #	SIZE (W x HT)	GL TYPE	WND FR MAT	FR FIN	QTY	REMARKS
1	10'-0" X 2'-30"	A	FBG	PTD	1	
2	10'-0" X 6'-2"	A	FBG	PTD	1	
3	7'-6 1/2" X 2'-30"	B	FBG	PTD	5	
4	7'-6 1/2" X 6'-2"	B	FBG	PTD	5	
5	5'-9" X 2'-0"	A	FBG	PTD	1	
6	5'-9" X 2'-0"	A	FBG	PTD	1	
7	9'-9" X VARIES	B	FBG	PTD	1	CHECK VARYING HEIGHTS ON DRAWINGS
8	9'-9" X VARIES	B	FBG	PTD	1	CHECK VARYING HEIGHTS ON DRAWINGS
9	9'-9" X VARIES	B	FBG	PTD	1	CHECK VARYING HEIGHTS ON DRAWINGS
10	9'-9" X VARIES	B	FBG	PTD	1	CHECK VARYING HEIGHTS ON DRAWINGS

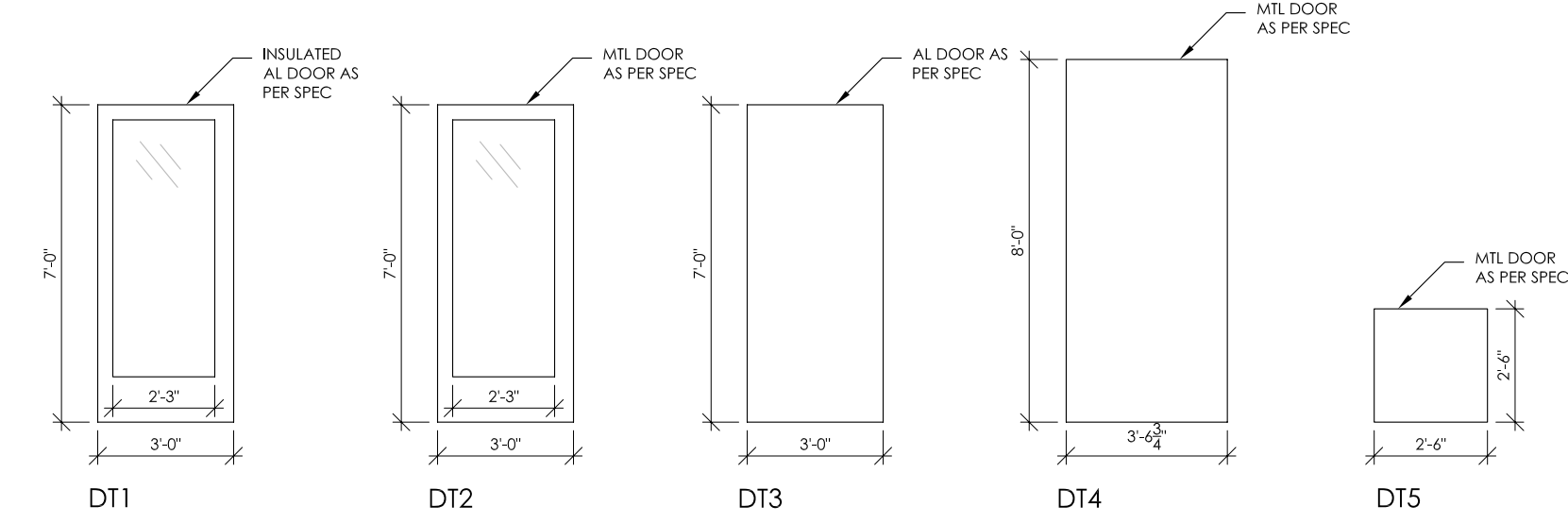
LEGEND	
PTD - PAINTED	FIN - FINISH
FR - FRAME	QTY - QUANTITY
FBG - FIBERGLASS	WND - WINDOW
MAT - MATERIAL	W - WIDTH
GL - GLAZING UNIT	H - HEIGHT

A - DOUBLE PANE LOWe ARGON UNIT 25 MIL TEMPERED(2 X 6 MILL PANE WITH 13 MIL AIRSPACE)
B - HIGH IMPACT DOUBLE PANE TEMPERED LOWe ARGON UNIT 25 MIL WITH(2 X 6 MILL PANE WITH 13 MIL AIRSPACE)

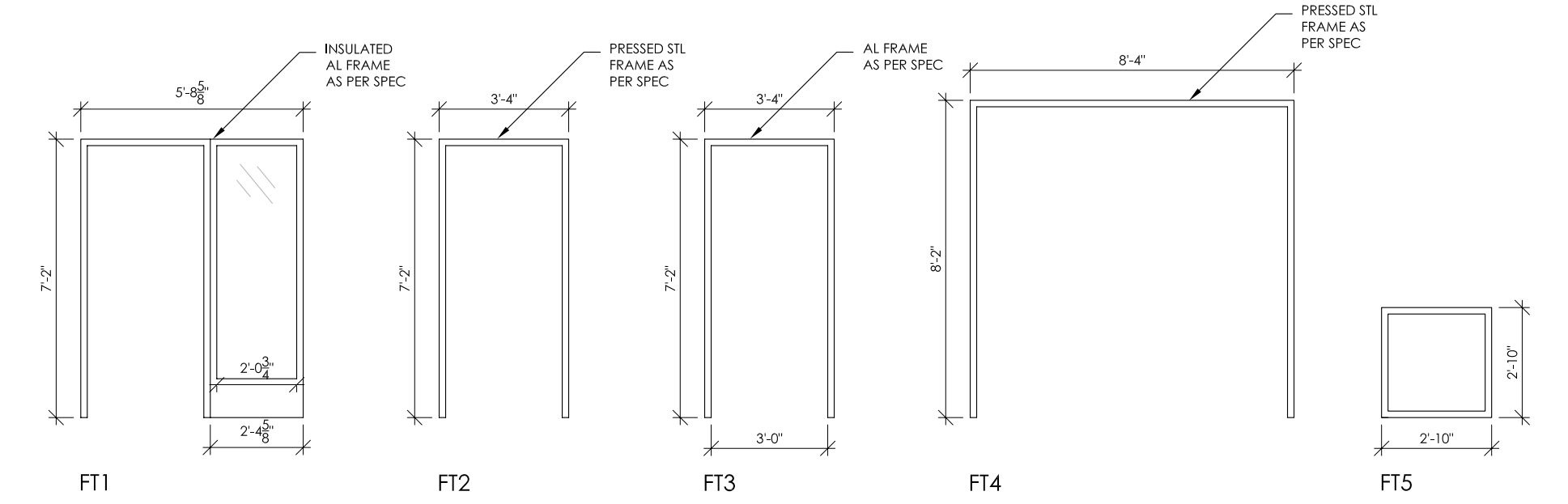


1 WINDOW TYPES
1/4" = 1'-0"

DOOR AND DOOR FRAME SCHEDULE																				
DOOR #	LOCATION	DOOR						DOOR FRAME				HARDWARE								REMARKS
		DOOR TYPE	SIZE (WxHT)	THICK	MAT	FINISH	FIRE RATED	INSUL	GLAZE	FRAME TYPE	MAT	FINISH	FIRE RATED	LOCK	HANDLE	HINGE	STOP	TRAP	FLUSH	
100 LEVEL																				
D101	VESTIBULE	DT1	3'-0"x7'-0"	1 3/4"	AL	ANOD				FT1	AL	ANOD								CONTINUOUS HINGE
D102	W/C	DT2	3'-0"x7'-0"	1 3/4"	MTL	PTD				FT2	PSF	PTD								WALL STOP
D103A	PAVILLION	DT3	3'-0"x7'-0"	1 3/4"	AL	ANOD				FT3	AL	ANOD								CONTINUOUS HINGE
D103B	PAVILLION	DT3	3'-0"x7'-0"	1 3/4"	AL	ANOD				FT3	AL	ANOD								CONTINUOUS HINGE
D104	STORAGE	DT2	3'-0"x7'-0"	1 3/4"	MTL	PTD				FT2	PSF	PTD								WALL STOP
D105	VESTIBULE	DT1	3'-0"x7'-0"	1 3/4"	AL	ANOD				FT1	AL	ANOD								
D106	INDOOR EXHIBIT	DT4	2'-4'-0"x8'-0"	1 3/4"	MTL	PTD				FT4	PSF	PTD								LOCKSET ON INTERIOR ONLY REFER TO SPEC
BMT LEVEL																				
D001	ANIMAL ENTRANCE	DTS	2'-4'-0"x4'-6"	2"	MTL	PTD				FT5	PSF	PTD								



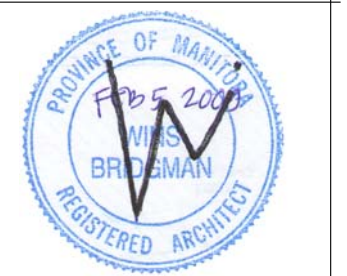
2 DOOR TYPES
1/4" = 1'-0"



3 FRAME TYPES
1/4" = 1'-0"

ROOM FINISH SCHEDULE		ASSINIBOINE PARK ZOO ASIATIC LION PAVILLION																		
ROOM #	LOCATION	FLOOR			WALL												CEILING			REMARKS
		MAT	BASE	COL	NORTH			EAST			SOUTH			WEST			MAT	COL	FIN	
MAIN FLOOR PLAN																				
101	VESTIBULE	COHC	RWB	F2	GWB	P2	PTD	GWB	P2	PTD	GWB	P2	PTD	GWB	P2	PTD	GWB	P2	PTD	VARIES
102	W/C	COHC	RWB	F1	GWB	P1	PTD	GWB	P1	PTD	GWB	P1	PTD	GWB	P1	PTD	GWB	P1	PTD	VARIES
103	PAVILLION	COHC	RWB/MTLWB	F2	GWB	P1	PTD	GWB	P1	PTD	GWB	P1	PTD	GWB	P1	PTD	GWB	P3, P5	PTD	VARIES
104	STORAGE	COHC	RWB	F1	GWB	P1	PTD	GWB	P1	PTD	GWB	P1	PTD	GWB	P1	PTD	GWB	P1	PTD	VARIES
105	VESTIBULE	COHC	RWB	F2	GWB	P2	PTD	GWB	P2	PTD	GWB	P2	PTD	GWB	P2	PTD	GWB	P2	PTD	VARIES
106	INDOOR EXHIBIT	EXBT																		METAL PRIMER + REFLECTIVE MARINE PAINT

COLOR AND FINISH SCHEDULE											
PAINT: TO MATCH PARA PAINTS					PRIMER: BENJAMIN MOORE			PREFINISHED METAL: VICWEST			
P1	P1793-4	QUEEN ANNS LACE	P6	P2211-5	GRAPHITE, SEMI-GLOSS	MOORECRAFT SUPER SPEC ALKYD METAL PRIMER 206			M1	VW-6087	BAMBOO IVORY
P2	P2025-4	BEECH	WALL BASE			STUCCO: WINROC SANDPEBBLE PASTEL BASE MATCH PARA PAINTS			M2	VW-6070	GOLD
P3	P809-1	IMPERIAL YELLOW	F1	RWB	JOHNSONITE 4" 21-PLATINUM	S1	P823-1	PHEASANT'S FEATHER	ALL CONCRETE FLOORS GROUND AND POLISHED		
P4	P811-2	MORGAN	F2	MTLWB	0.125" CLEAR ANNOCKED ALUMINIUM	S2	P824-1	WALK ON THE BEACH			
P5	P2211-5	GRAPHITE, SATIN				S3	TERRANEO	EVEREST			



Project:
ASIATIC LION PAVILLION
 ASSINIBOINE PARK ZOO
 WINNIPEG MB

Drawing Title:
SCHEDULES AND TYPES

Project Number: 0727
 Date: FEB 5, 2009
 Issued For: TENDER
 Sheet No: **A9**

The drawing is property of the Architect and cannot be reproduced or used without the consent of the Architect. The Architect is responsible for checking and reporting all discrepancies to the Architect and Urban Distribution prior to commencing work.