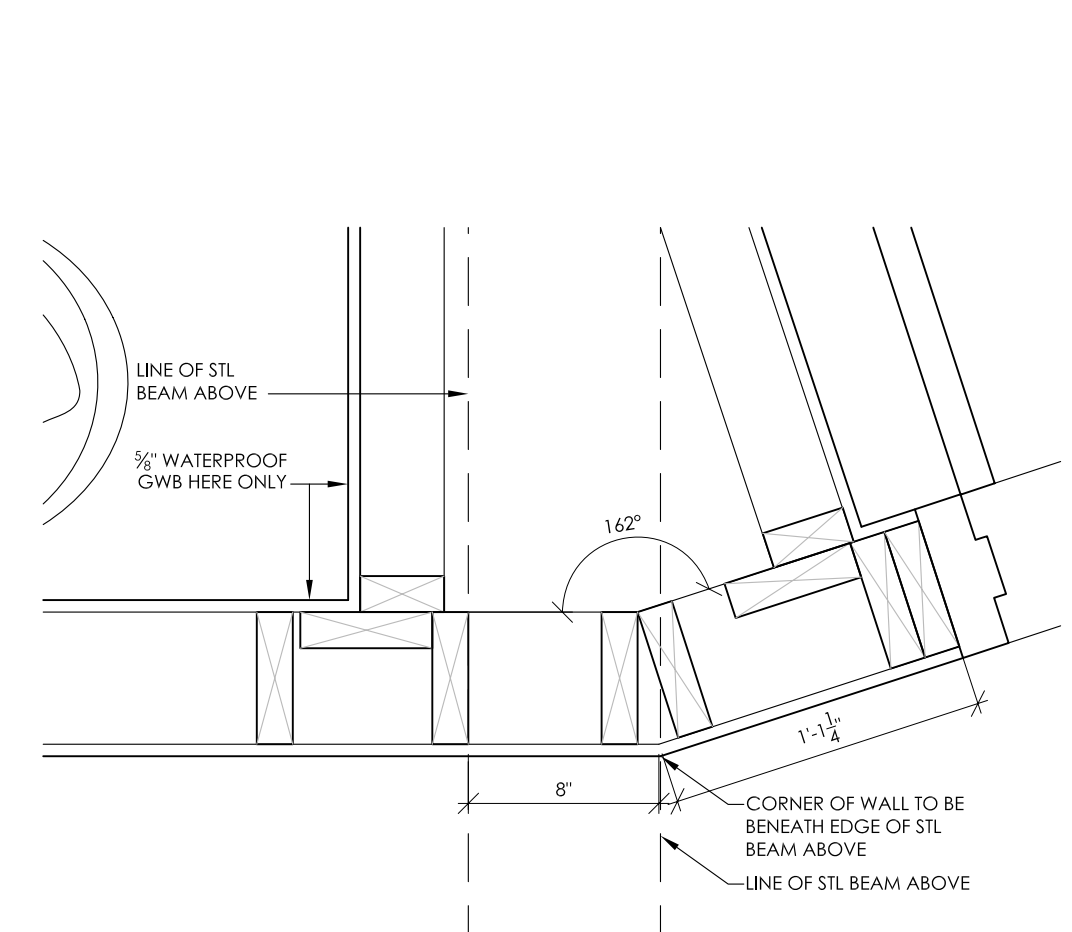
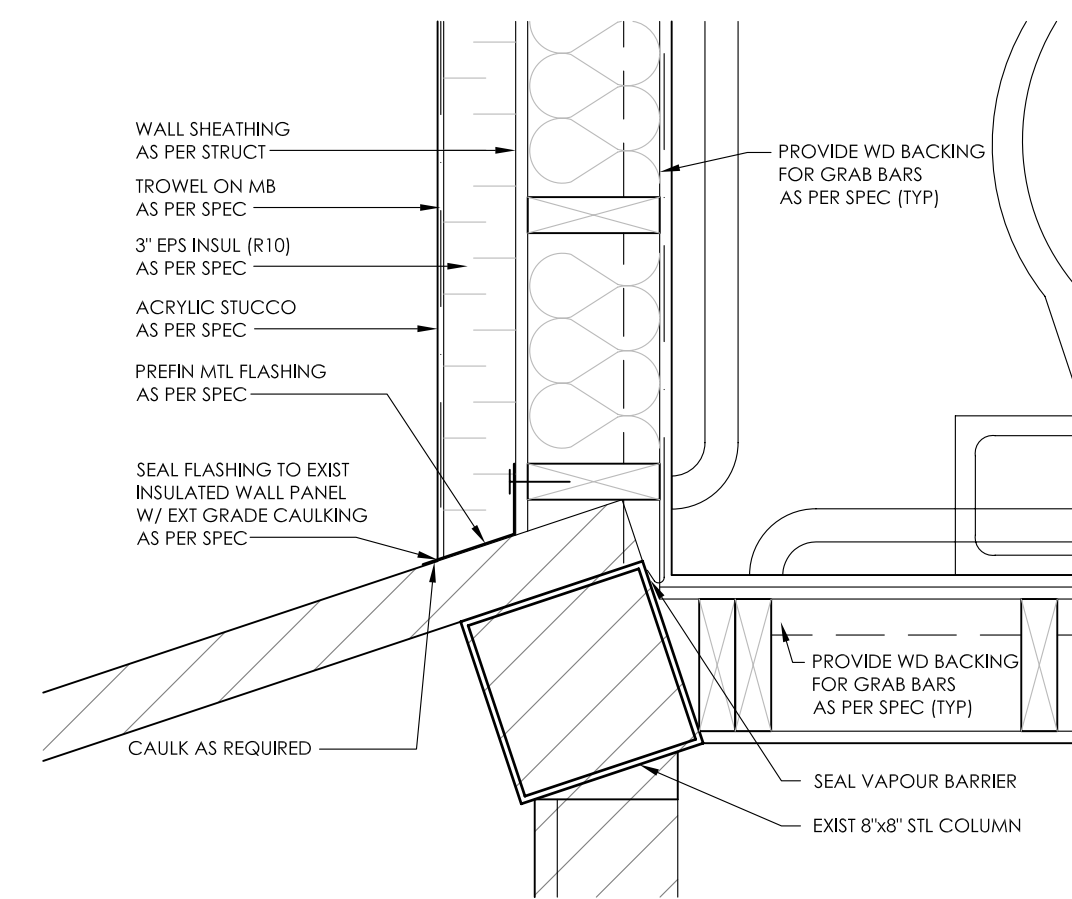


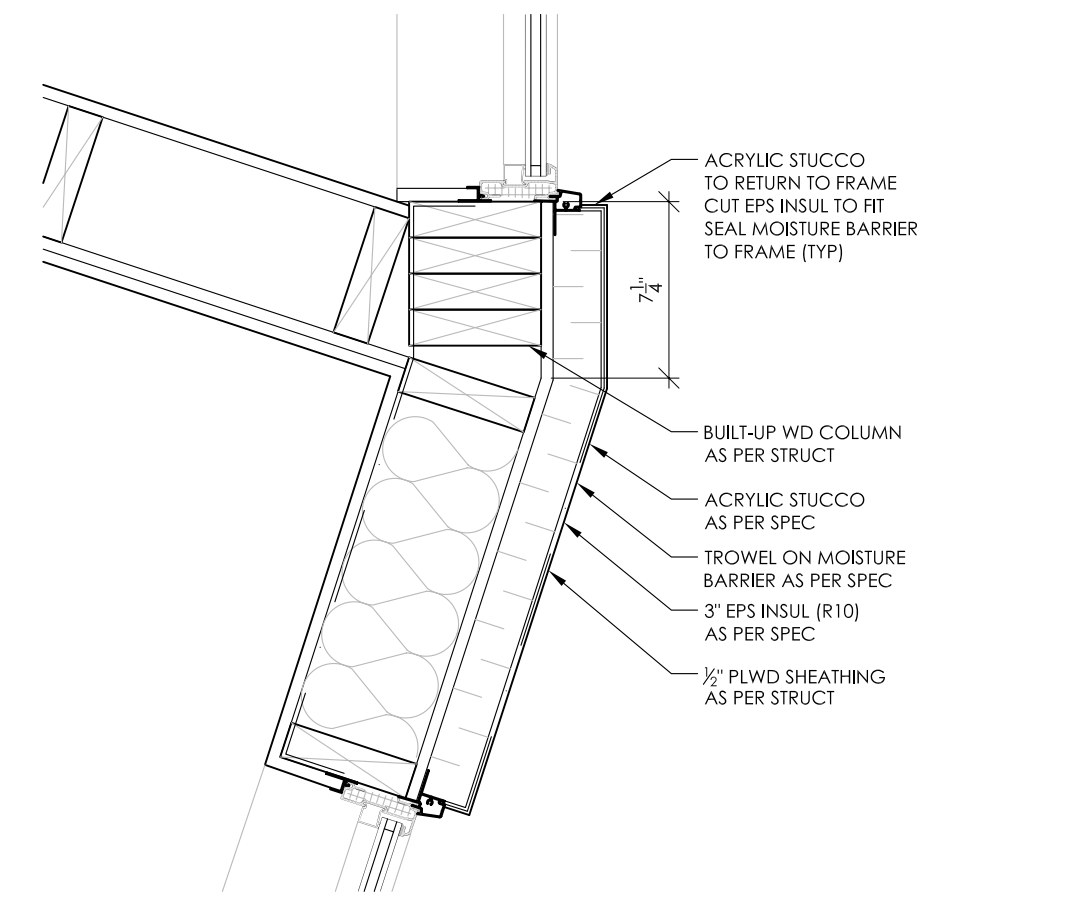
**1 WALL SECTION**  
1" = 1'-0"



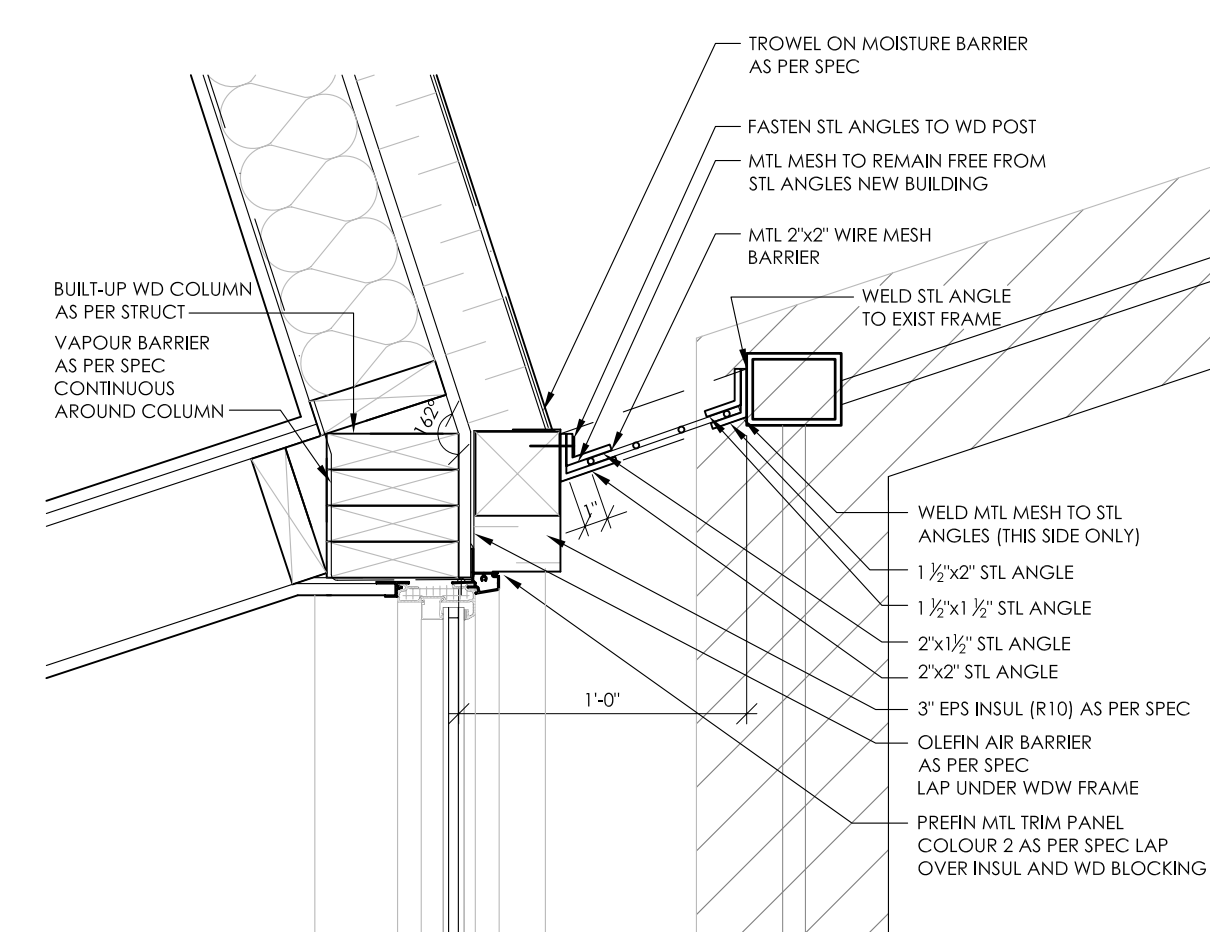
**4 PLAN DETAIL**  
1 1/2" = 1'-0"



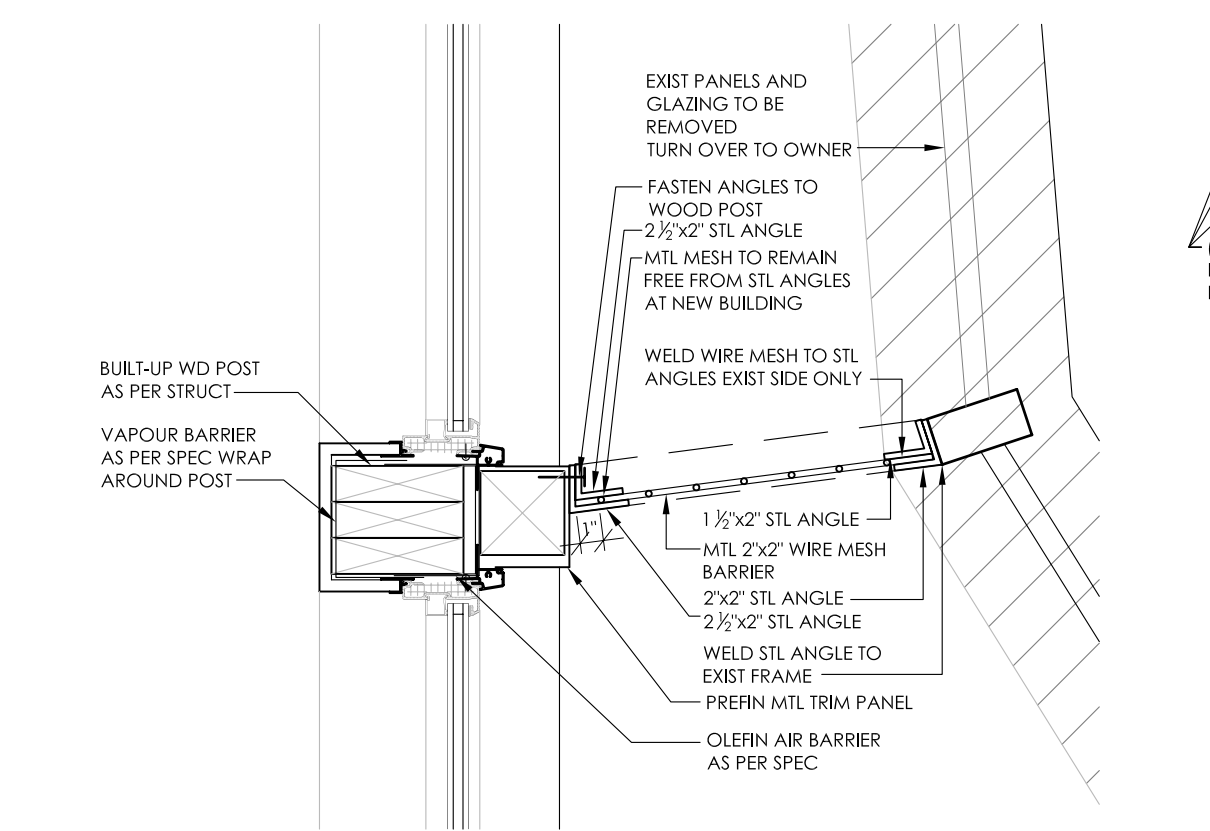
**3 PLAN DETAIL**  
1 1/2" = 1'-0"



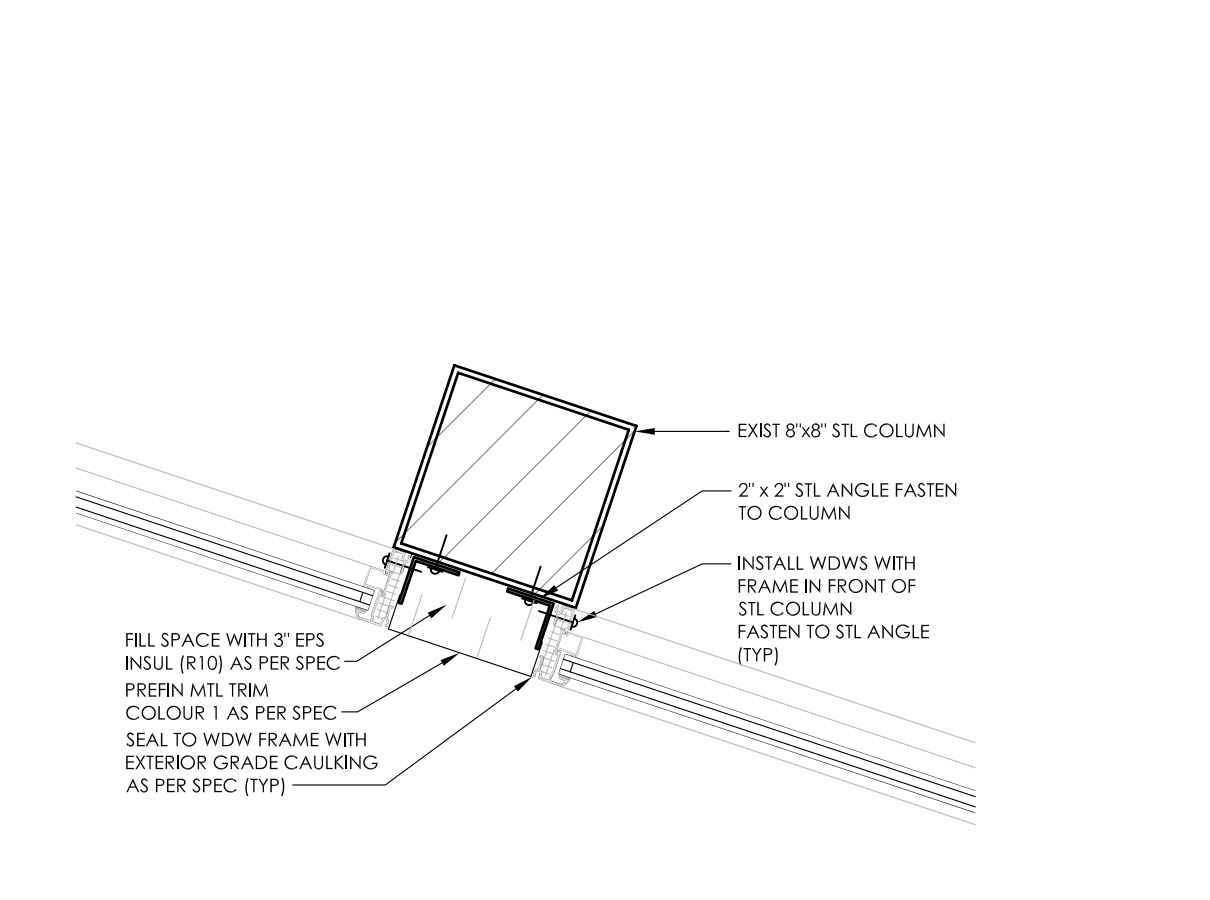
**2 PLAN DETAIL**  
1 1/2" = 1'-0"



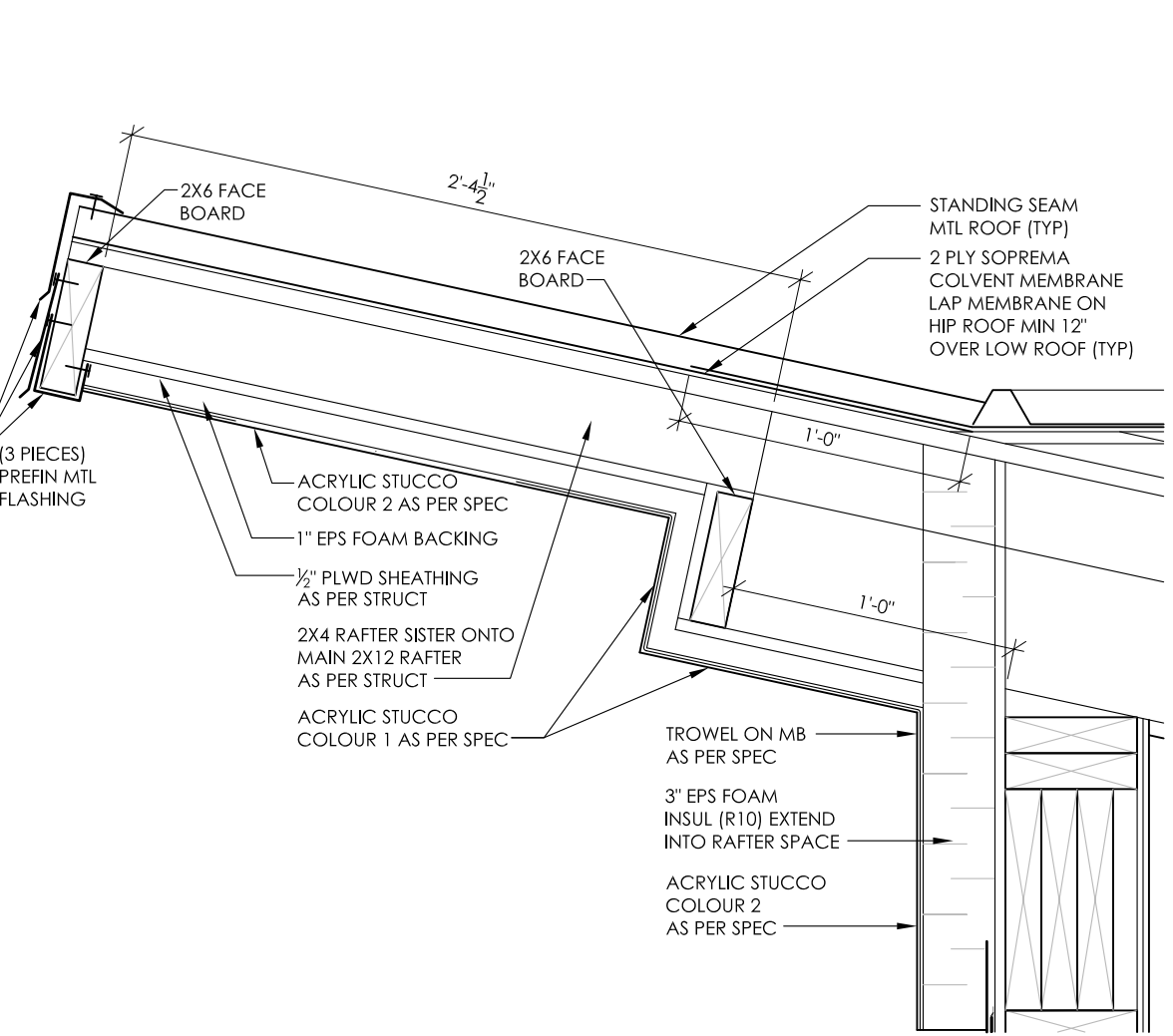
**7 PLAN DETAIL**  
1 1/2" = 1'-0"



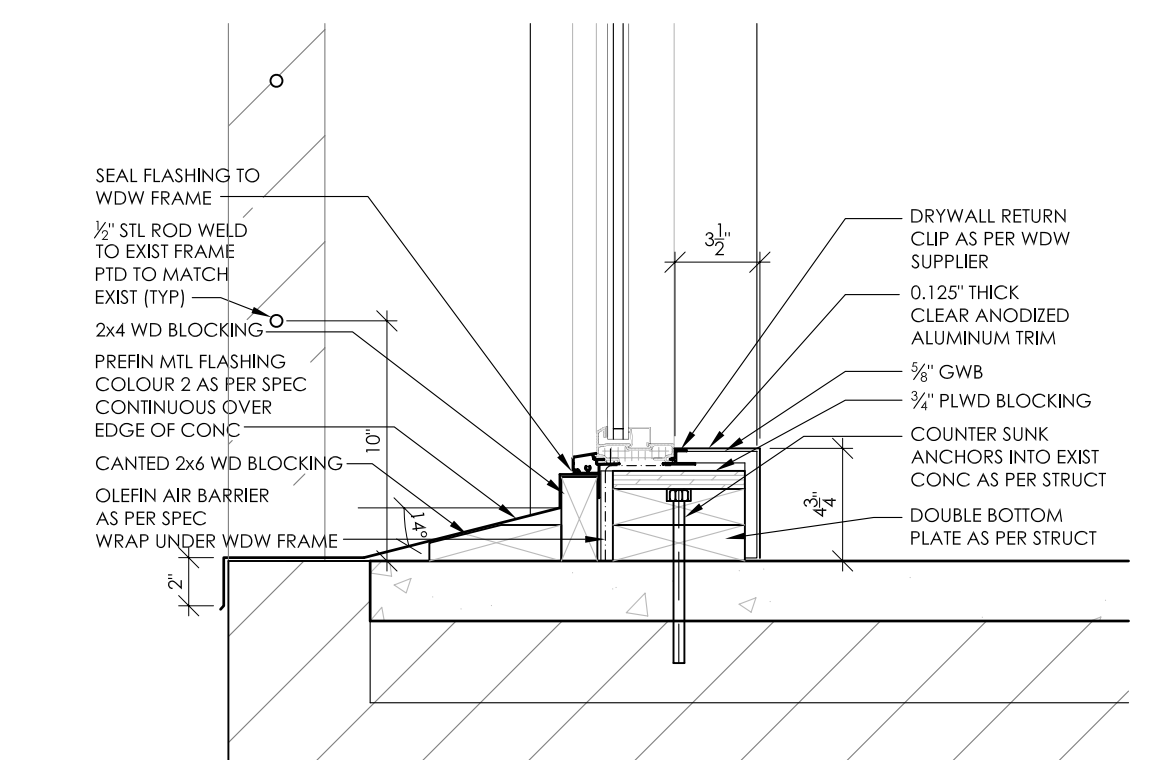
**6 PLAN DETAIL**  
1 1/2" = 1'-0"



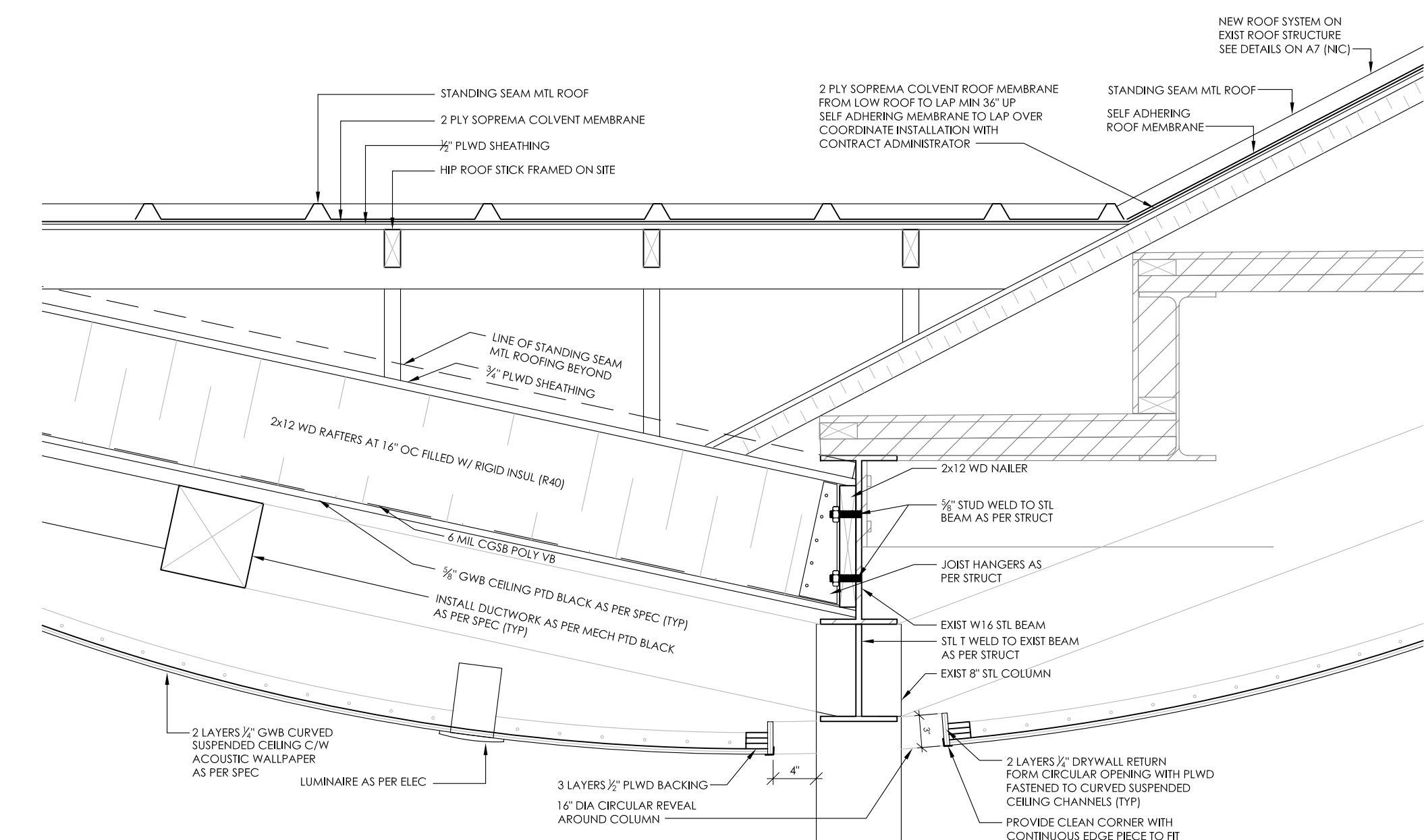
**5 PLAN DETAIL**  
1 1/2" = 1'-0"



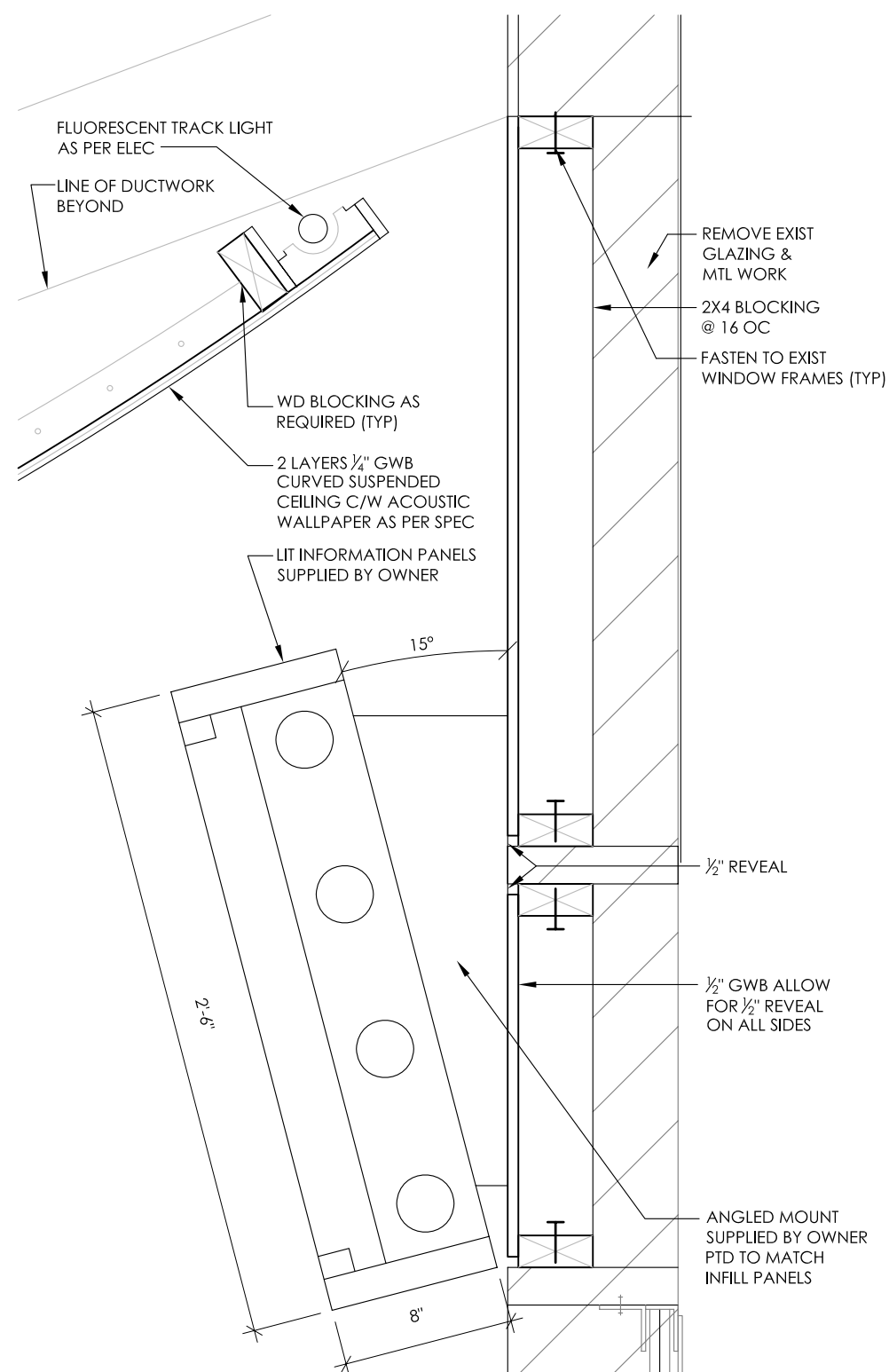
**9 SECTION DETAIL**  
1 1/2" = 1'-0"



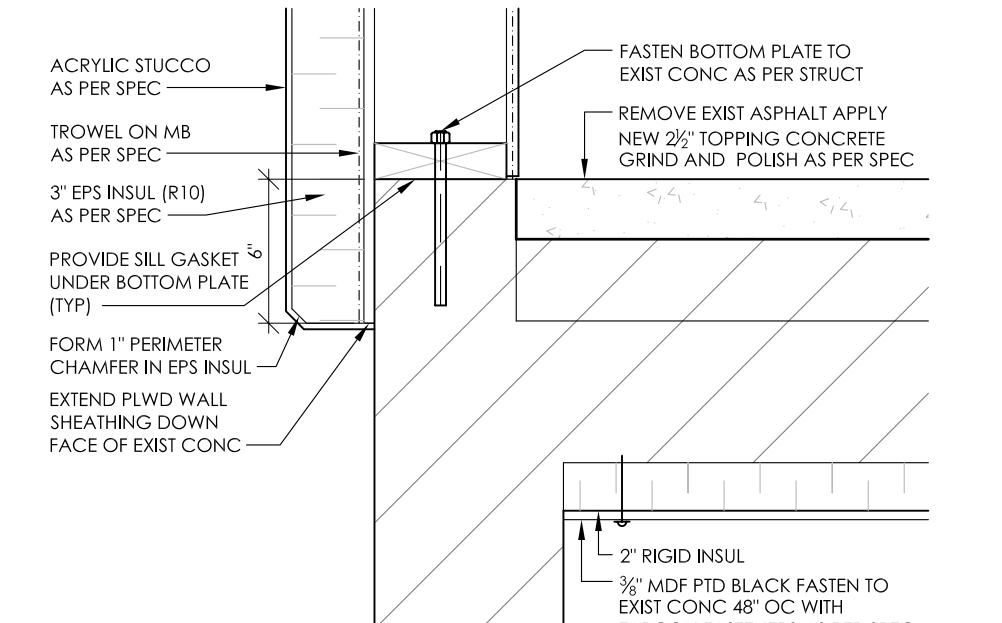
**8 SECTION DETAIL**  
1 1/2" = 1'-0"



**10 SECTION DETAIL**  
1" = 1'-0"



**12 SECTION DETAIL**  
1 1/2" = 1'-0"



**11 SECTION DETAIL**  
1 1/2" = 1'-0"

