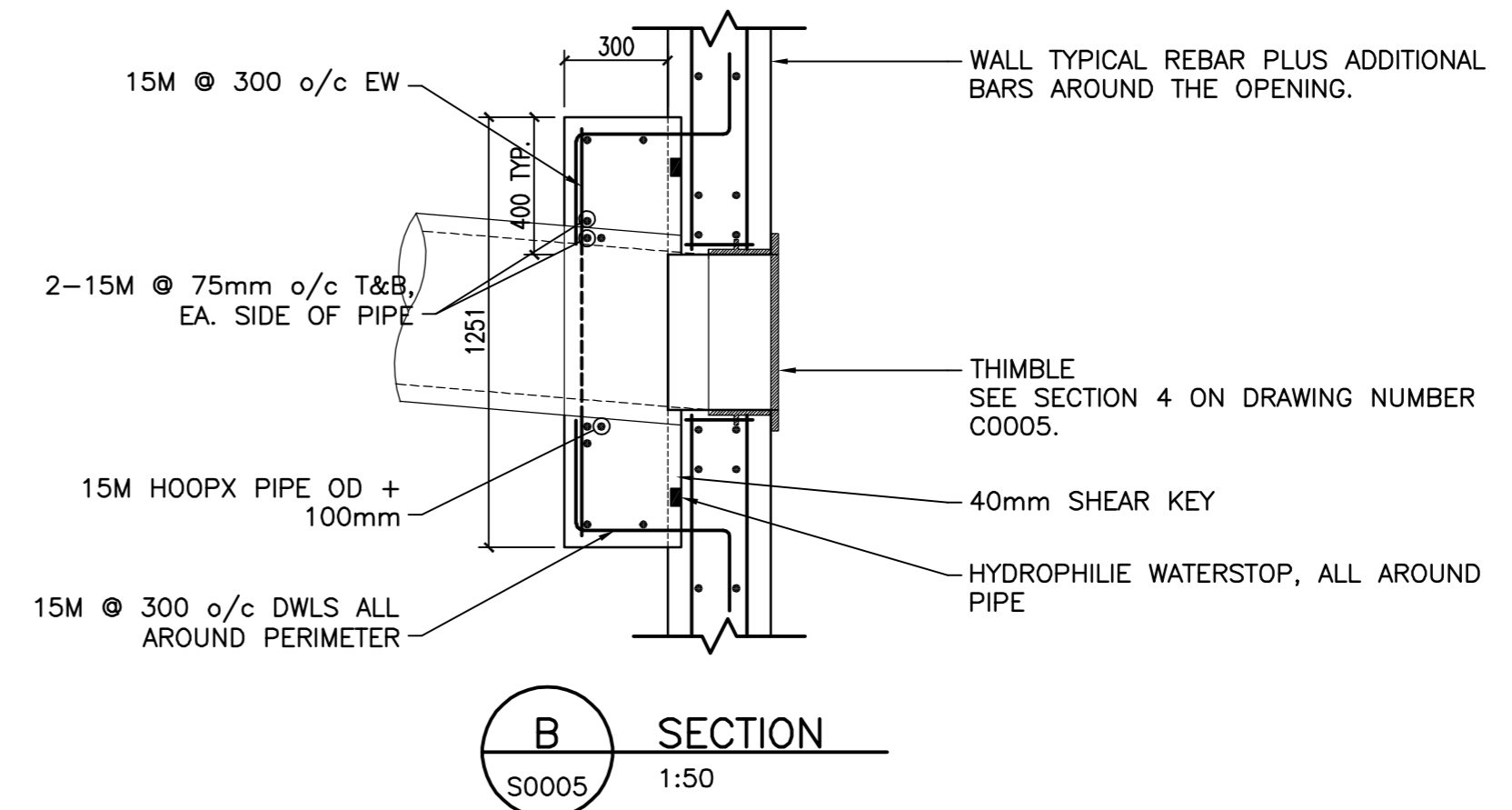
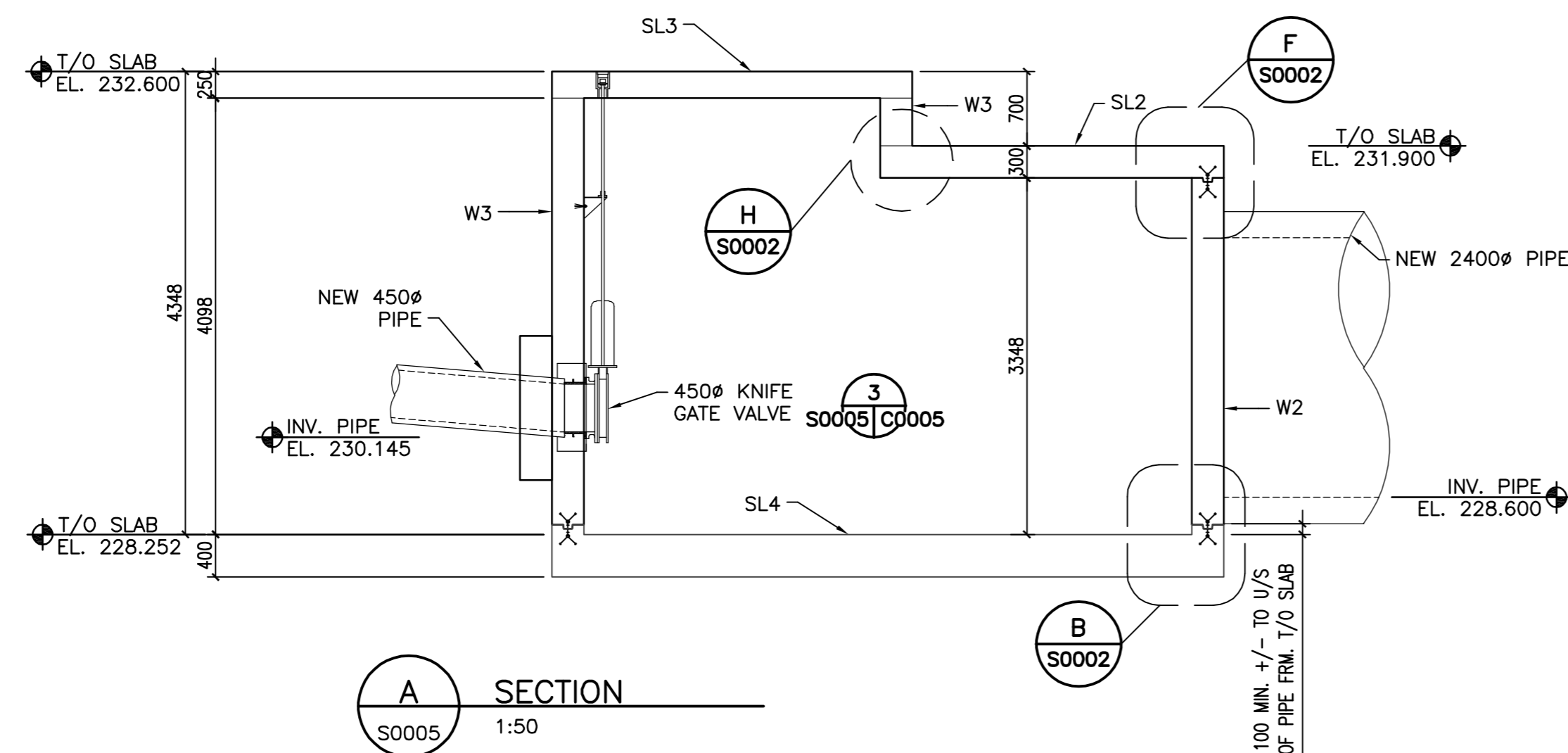


**DRAWING NOTES:**  
 1. SEE CITY DRAWING NUMBER 1-0102A-S0001-001 FOR GENERAL NOTES.  
 2. SEE CITY DRAWING NUMBER 1-0102A-S0001-001 FOR WALL, SLAB AND BEAM SCHEDULE.  
 3. SEE CITY DRAWING NUMBER 1-0102A-S0002-001 FOR CONCRETE SECTIONS & TYPICAL DETAILS.



83R066 - N. side Prohisher Rd., 0.25km W. of St. Mary's Rd.,  
 Tilt: on top of 0.05m dia. x 1.2m iron pipe (near conc. gate chamber), 7.1m Nly. of N. side & 9.8m Wly. of W. side of conc. gate chamber 0.25km W. of St. Mary's Rd.

LOCATION APPROVED UNDERGROUND STRUCTURES

B.M. 81-007  
 ELEV. 230.438



Stantec Consulting Ltd.

905 Waverley Street, Winnipeg, Manitoba  
 Tel 204-489-5900 Fax 204-453-9012

ENGINEER'S SEAL

ORIGINALLY SEALED BY:

MOHAMMAD HOQUE  
 OCT. 13, 2009

BID OPPORTUNITY NO.  
 709-2009



THE CITY OF WINNIPEG  
 WATER AND WASTE DEPARTMENT

SOUTH END WATER POLLUTION CONTROL CENTRE  
 INSTALLATION OF OUTFALL PIPE  
 EFFLUENT SAMPLING FACILITY AND ASSOCIATED WORKS  
 CHAMBER NO.3  
 PLAN & SECTION

CITY DRAWING NUMBER  
 1-0102A-S0005-001

SHEET OF  
 1 OF 1

**APECM**  
 Certificate of Authorization  
 Stantec Consulting Ltd.  
 No. 1301 Expiry: April 30, 2010

METRIC

WHOLE NUMBERS INDICATE MILLIMETRES  
 DECIMALIZED NUMBERS INDICATE METRES

SUPV. U/G STRUCTURES DATE COMMITTEE

NOTE:  
 LOCATION OF UNDERGROUND STRUCTURES AS SHOWN ARE BASED ON THE BEST INFORMATION AVAILABLE BUT NO GUARANTEE IS GIVEN THAT ALL EXISTING UTILITIES ARE SHOWN OR THAT THE GIVEN LOCATIONS ARE EXACT. CONFIRMATION OF EXISTENCE AND EXACT LOCATION OF ALL SERVICES MUST BE OBTAINED FROM THE INDIVIDUAL UTILITIES BEFORE PROCEEDING WITH CONSTRUCTION.

NO.	REVISIONS	DATE	BY
A	ISSUED FOR TENDER	09.10.13	

DESIGNED BY	M.H.	CHECKED BY	T.D.
DRAWN BY	M.F.	APPROVED BY	C.M.
HOR. SCALE:	AS NOTED	RELEASED FOR CONSTRUCTION:	
VERTICAL:		DATE	
DATE	09.09.21		