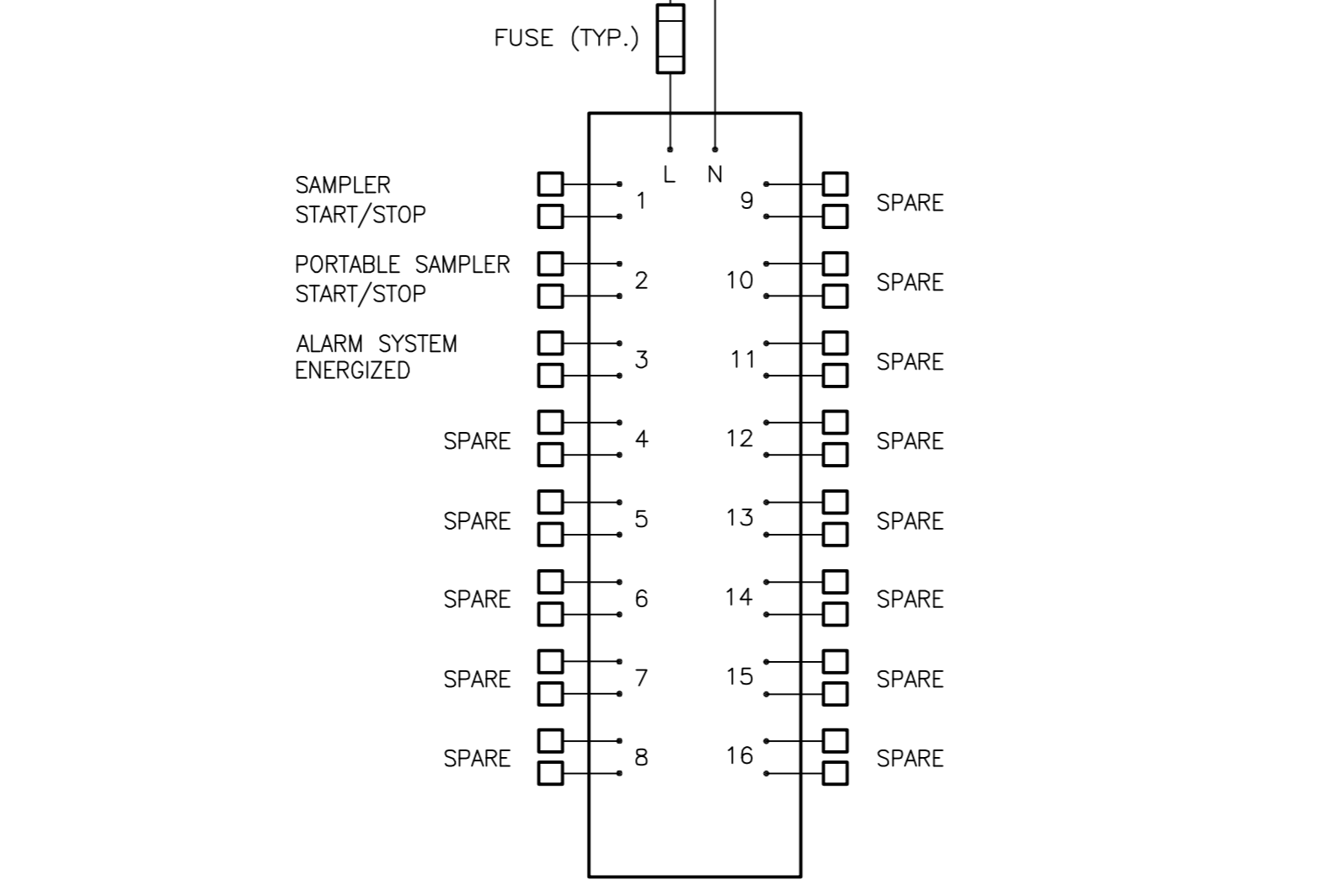
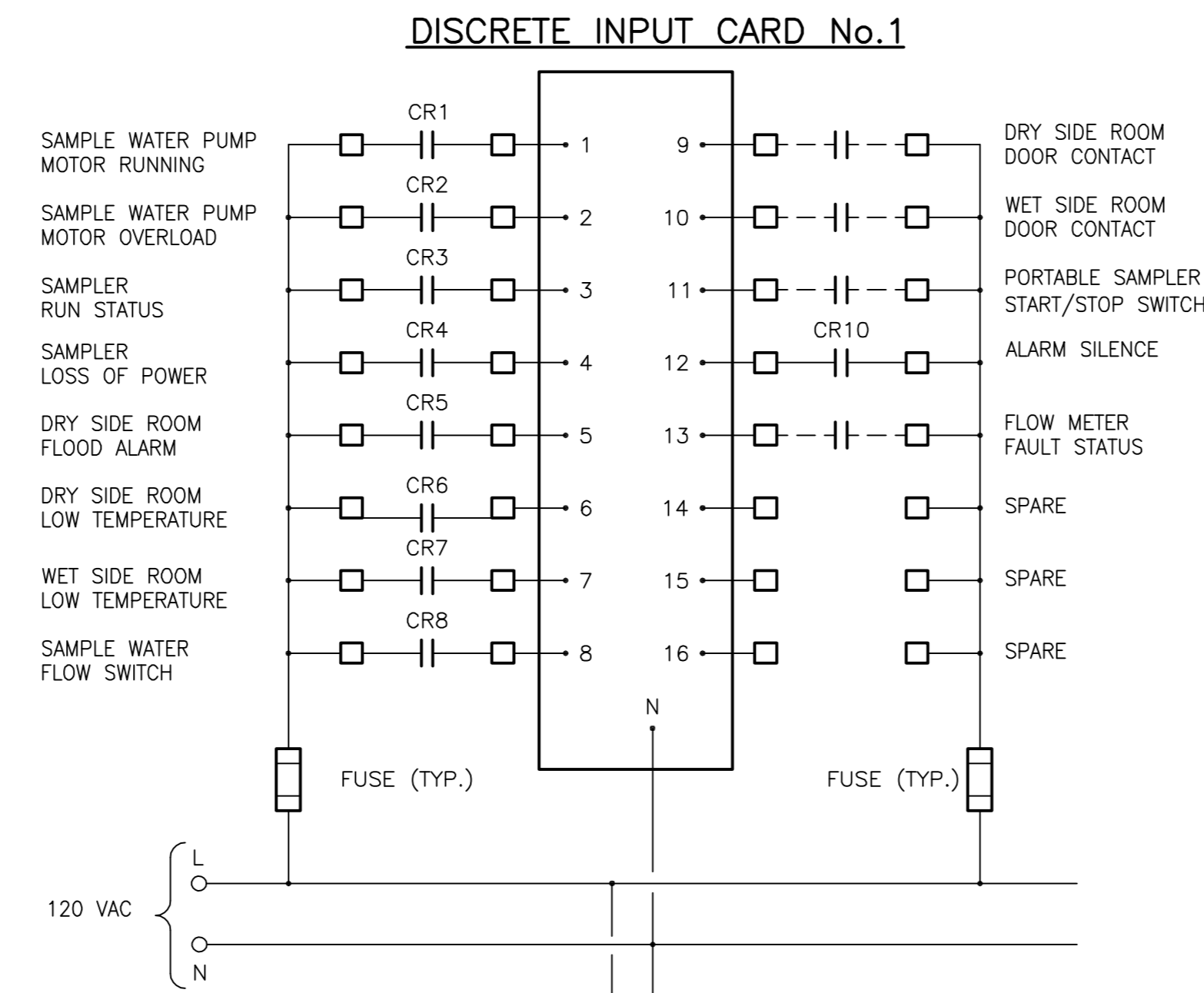
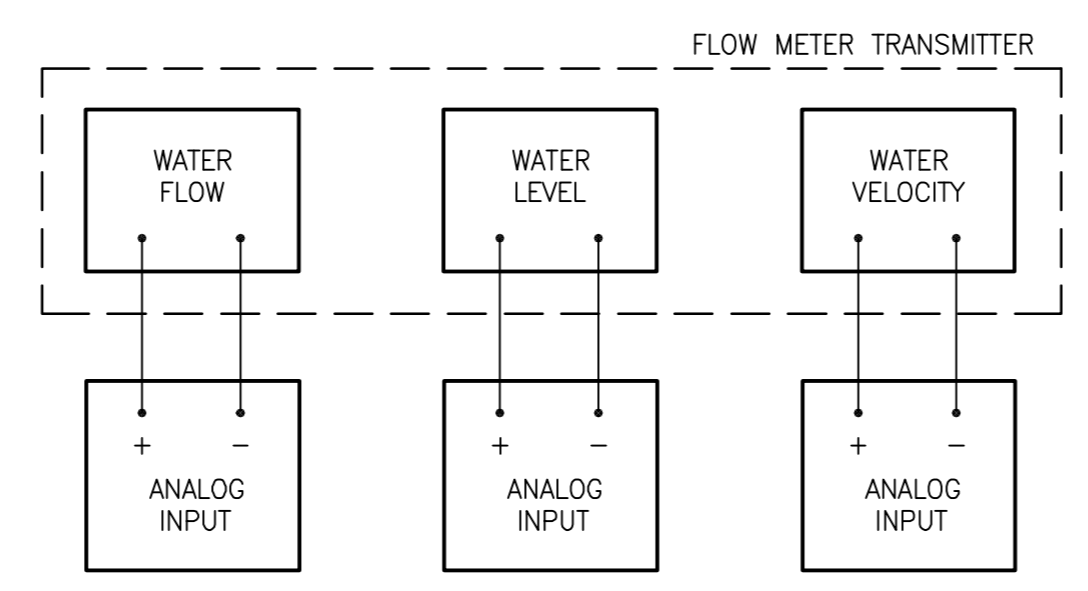


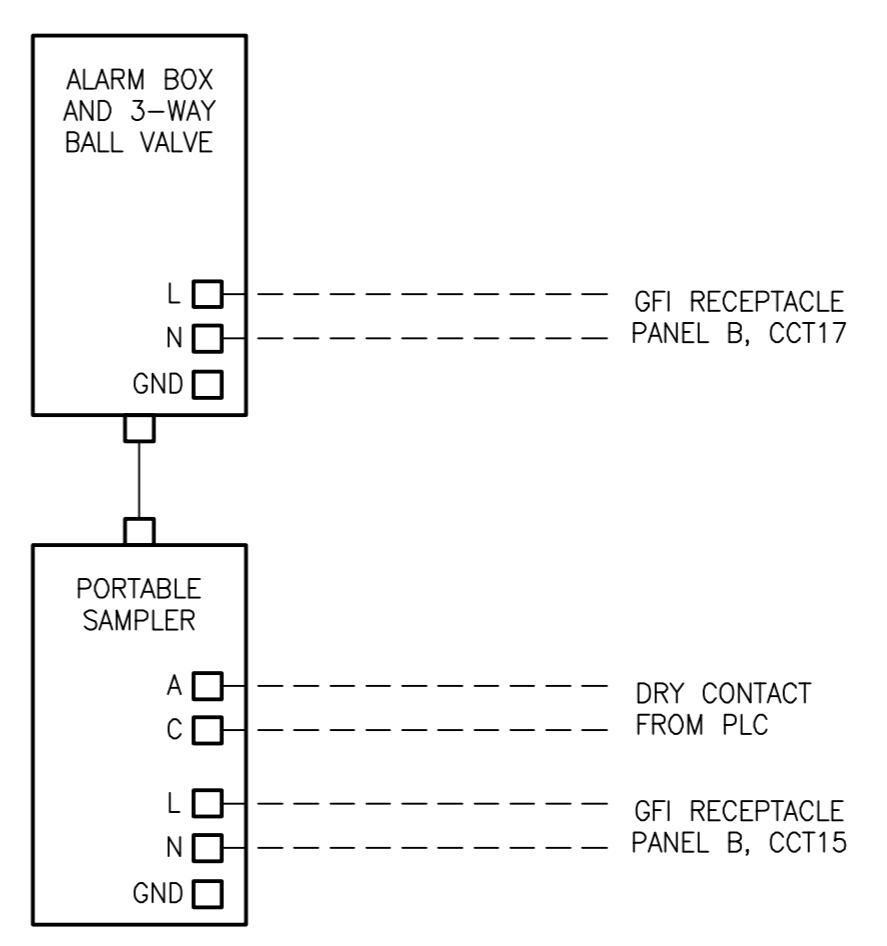
CONTROLS WIRING DIAGRAM



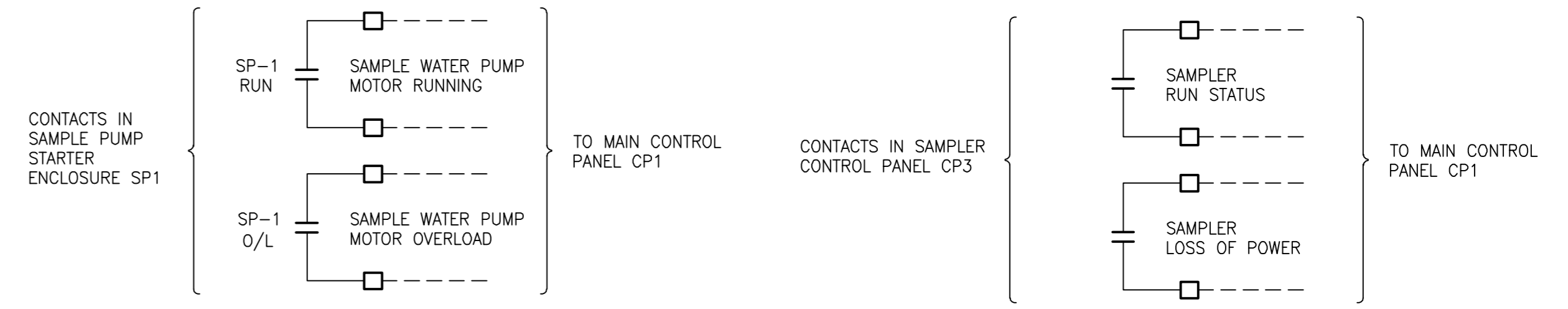
DISCRETE OUTPUT CARD No.1



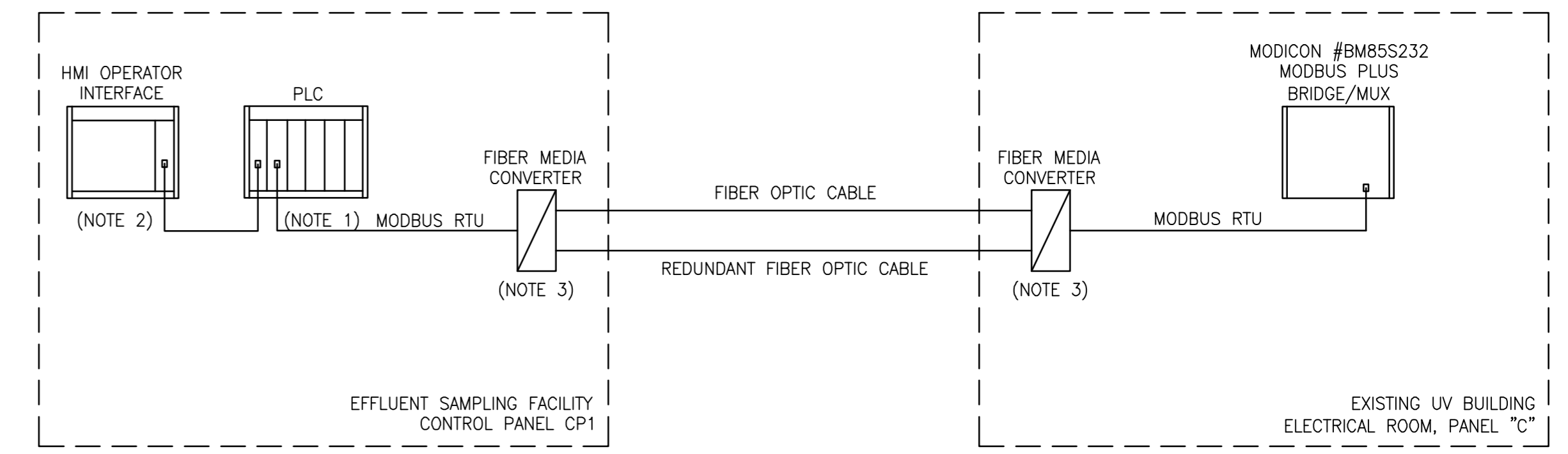
ANALOG INPUT CARD No.1



PORTABLE SAMPLER



MISCELLANEOUS FIELD WIRING



- NOTES
- ROCKWELL AUTOMATION #1763-L16AWA PLC (MICROLOGIX 1100), C/W ONE #1762-IAB DISCRETE INPUT EXPANSION MODULE AND ONE #1762-IF4 ANALOG INPUT EXPANSION MODULE
 - RED LION #G306A OPERATOR INTERFACE, 5.7" COLOUR TOUCHSCREEN
 - BLACK BOX #MED100A RS-232 TO FIBER MEDIA CONVERTER, C/W #PSD100 12VDC POWER SUPPLY

SCADA SYSTEM ARCHITECTURE

I:\1110885\9484_Drawing\Sheet Files\08_electrical\080526-103.dwg
2009-10-13 08:14AM By: jmarcotte

839066 - N. side Frohisher Rd., 0.25km W. of St. Mary's Rd., T88, on top of 0.025m dia. x 1.2m iron pipe (near conc. gate chamber), 7.1m Nly. of N. side & 9.8m Wly. of W. side of conc. gate chamber 0.25km W. of St. Mary's Rd.

METRIC
WHOLE NUMBERS INDICATE MILLIMETRES
DECIMALIZED NUMBERS INDICATE METRES

APEGM
Certificate of Authorization
Stantec Consulting Ltd.
No. 1301 Expiry: April 30, 2010

LOCATION APPROVED UNDERGROUND STRUCTURES		B.M. 81-007 ELEV. 230.438
SUPV. U/G STRUCTURES COMMITTEE	DATE	
NOTE: LOCATION OF UNDERGROUND STRUCTURES AS SHOWN ARE BASED ON THE BEST INFORMATION AVAILABLE BUT NO GUARANTEE IS GIVEN THAT ALL EXISTING UTILITIES ARE SHOWN OR THAT THE GIVEN LOCATIONS ARE EXACT. CONFIRMATION OF EXISTENCE AND EXACT LOCATION OF ALL SERVICES MUST BE OBTAINED FROM THE INDIVIDUAL UTILITIES BEFORE PROCEEDING WITH CONSTRUCTION.		
A	ISSUED FOR TENDER	09.10.13
NO.	REVISIONS	DATE BY
		DATE 09.09.18

Stantec Consulting Ltd.
905 Waverley Street, Winnipeg, Manitoba
Tel 204-489-5900 Fax 204-453-9012

DESIGNED BY S.T.	CHECKED BY D.D.
DRAWN BY S.T.	APPROVED BY D.D.
HOR. SCALE: VERTICAL:	RELEASED FOR CONSTRUCTION:
DATE	DATE

ENGINEER'S SEAL

THE CITY OF WINNIPEG
WATER AND WASTE DEPARTMENT

Winnipeg

SOUTH END WATER POLLUTION CONTROL CENTRE
INSTALLATION OF OUTFALL PIPE,
EFFLUENT SAMPLING BUILDING AND ASSOCIATED WORKS
MISCELLANEOUS CONTROL WIRING
SCADA SYSTEM ARCHITECTURE

BID OPPORTUNITY NO. 709-2009	CITY DRAWING NUMBER 1-0102A-E0013-001	SHEET OF 1 1
---------------------------------	--	-----------------