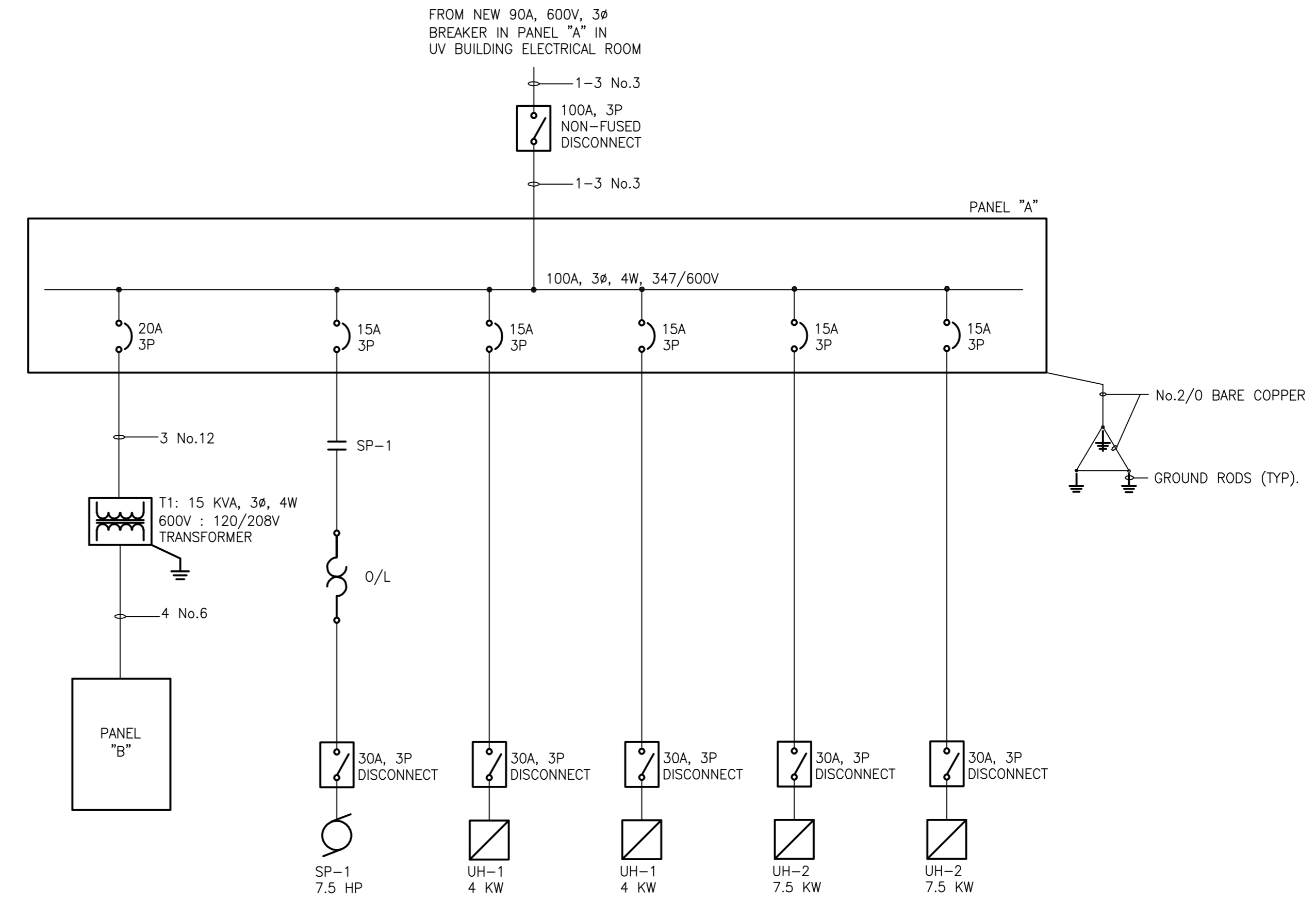


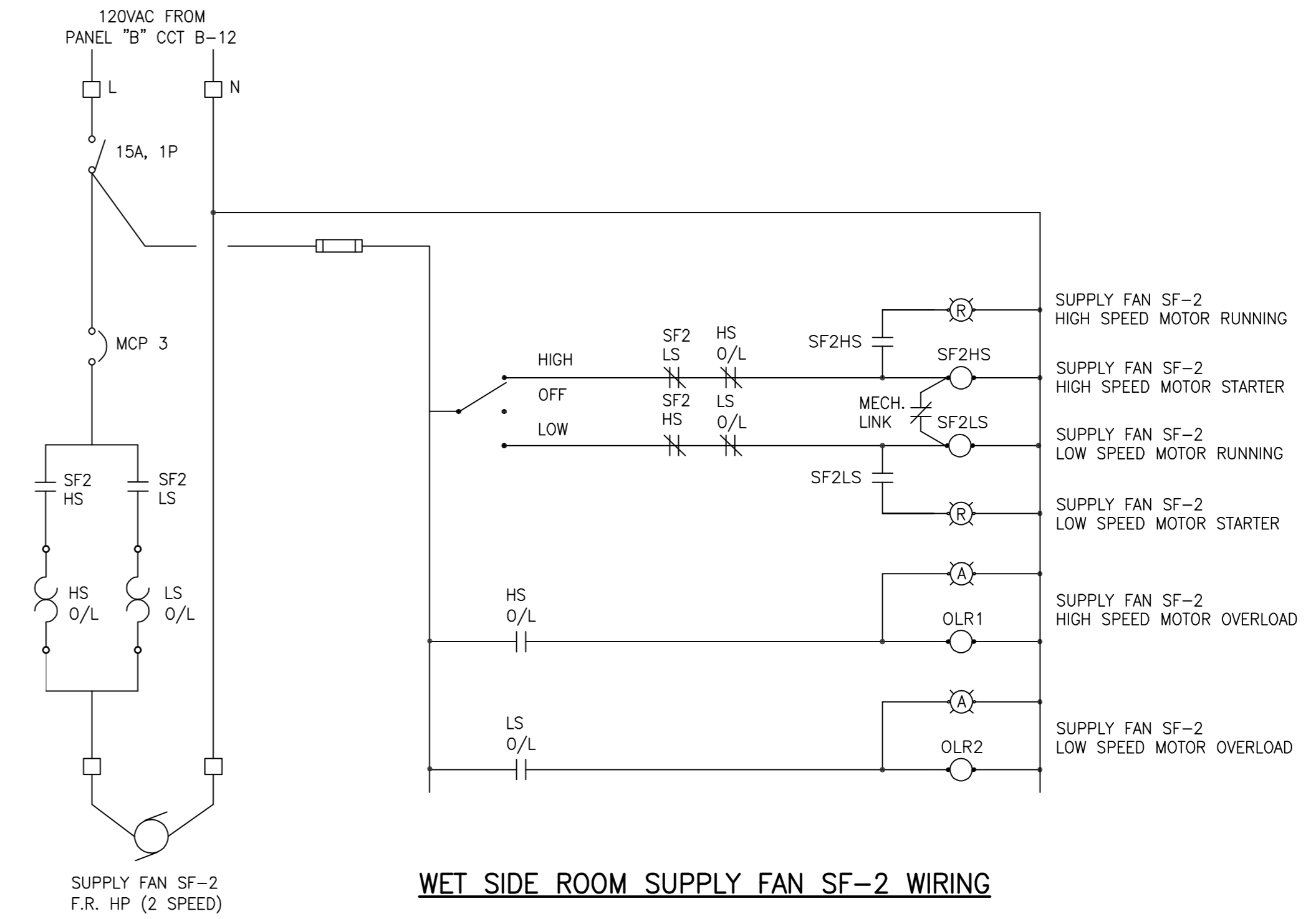
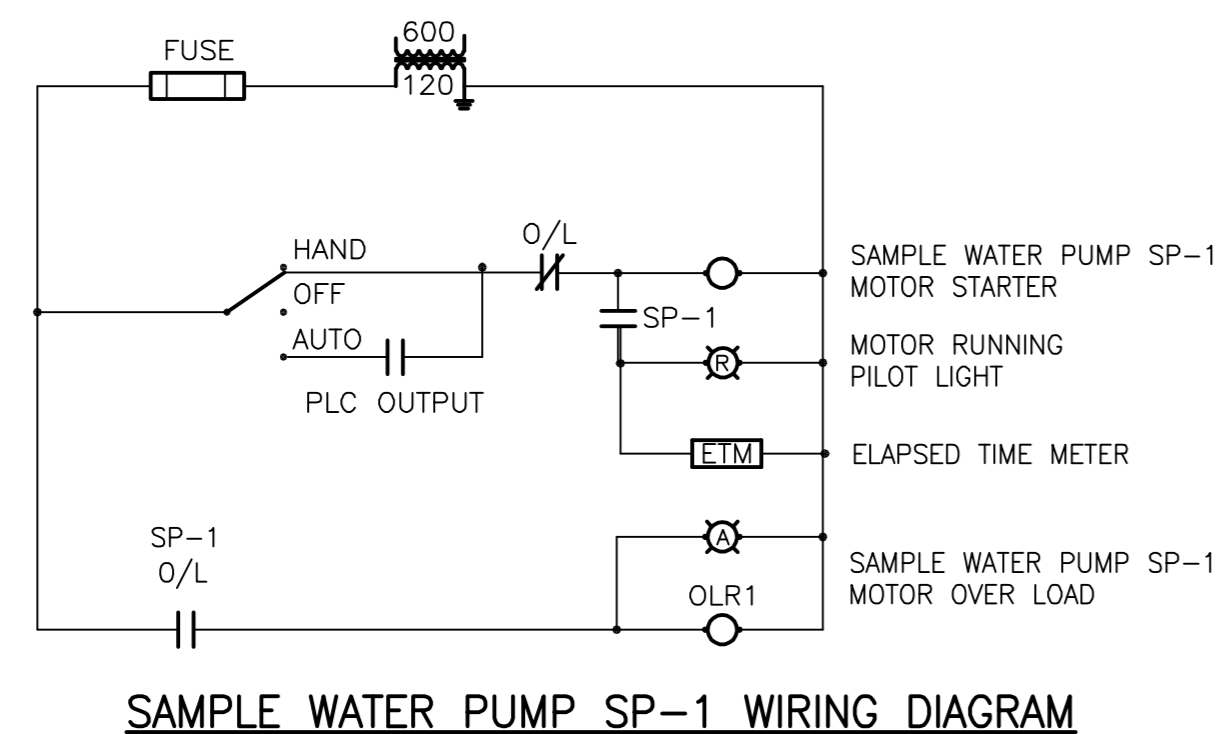
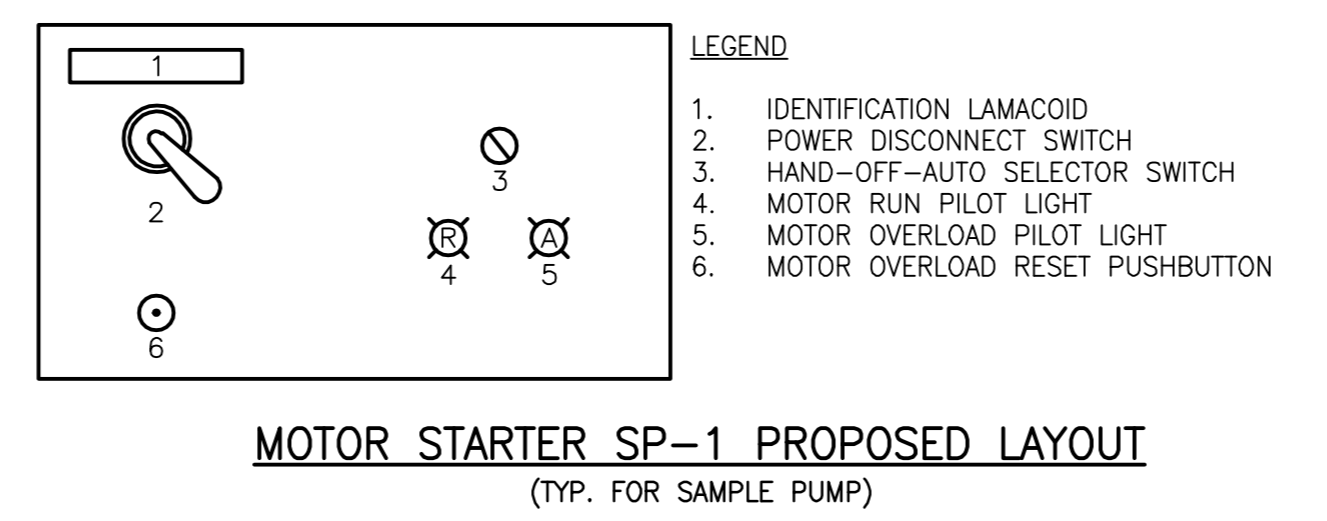
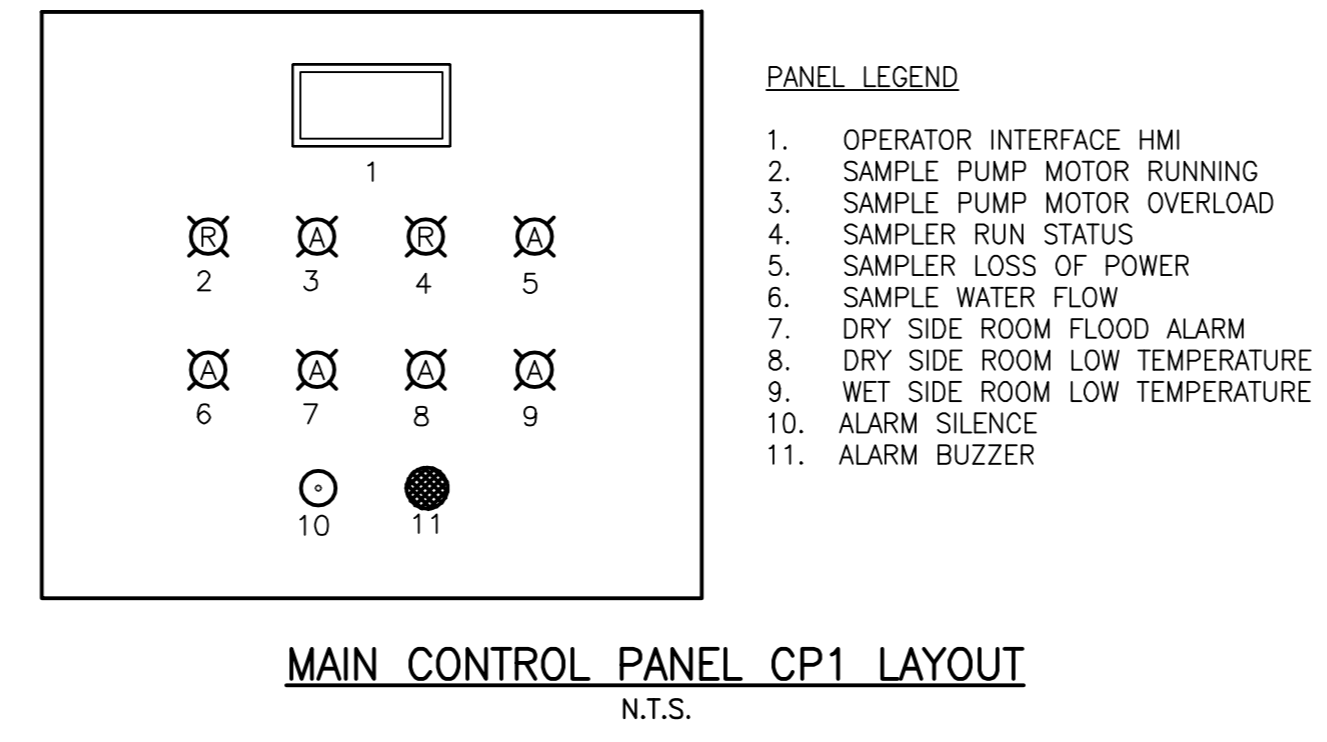
MOTOR SCHEDULE								
No.	HP	DESCRIPTION	VOLTS	Ø	STARTER TYPE	STARTER LOCATION	CONTROL	FEEDER
SP-1	7.5	SAMPLE WATER PUMP	600	3	FVNR	WALL	AS SHOWN	3 No. 12
UH-1	4kW	DRY SIDE ROOM UNIT HEATER	600	3	-	-	INTEGRAL T-STAT	3 No.12
UH-1	4kW	DRY SIDE ROOM UNIT HEATER	600	3	-	-	INTEGRAL T-STAT	3 No.12
UH-2	7.5kW	WET SIDE ROOM UNIT HEATER	600	3	-	-	INTEGRAL T-STAT	3 No.12
UH-2	7.5kW	WET SIDE ROOM UNIT HEATER	600	3	-	-	INTEGRAL T-STAT	3 No.12
SF-1	F.R.	DRY SIDE ROOM SUPPLY FAN	120	1	FVNR	INTEGRAL	LIGHT SWITCH	2 No.12
SF-2	F.R.	WET SIDE ROOM SUPPLY FAN	120	1	2-SPEED	INTEGRAL	AS SHOWN	2 No.12
AC-1	2	AIR COMPRESSOR	120	1	FVNR	INTEGRAL	INTEGRAL	2 No.6

PANEL "A"		347/600V, 3Ø, 4W				100A MAINS	
DESCRIPTION	CCT.	BRK AMP	A	B	C	BRK AMP	CCT.
SAMPLE WATER PUMP	1	15	+	+	+	20	4
DRY SIDE ROOM UNIT HEATER UH-1	7	15	+	+	+	15	10
DRY SIDE ROOM UNIT HEATER UH-1	13	15	+	+	+	15	14
DRY SIDE ROOM UNIT HEATER UH-1	15	15	+	+	+	15	16
DRY SIDE ROOM UNIT HEATER UH-1	17	15	+	+	+	15	18
DRY SIDE ROOM UNIT HEATER UH-1	19	15	+	+	+	15	20
DRY SIDE ROOM UNIT HEATER UH-1	21	15	+	+	+	15	22
DRY SIDE ROOM UNIT HEATER UH-1	23	15	+	+	+	15	24
DRY SIDE ROOM UNIT HEATER UH-1	25	15	+	+	+	15	26
DRY SIDE ROOM UNIT HEATER UH-1	27	15	+	+	+	15	28
DRY SIDE ROOM UNIT HEATER UH-1	29	15	+	+	+	15	30

PANEL "B"		120/208V, 3Ø, 4W				100A MAINS	
DESCRIPTION	CCT.	BRK AMP	A	B	C	BRK AMP	CCT.
DRY SIDE ROOM LIGHTS	1	15	+	+	+	15	2
DRY SIDE ROOM EMERGENCY/EXIT LIGHT	3	15	+	+	+	15	4
DRY SIDE ROOM RECEPTACLES (GFCI)	5	15	+	+	+	15	6
SAMPLE REFRIGERATOR (GFCI)	7	20	+	+	+	15	8
OUTDOOR LIGHT	9	15	+	+	+	15	10
AIR COMPRESSOR	11	30	+	+	+	15	12
DRY SIDE ROOM SUPPLY FAN SF-1, DAMPER MD-1	13	15	+	+	+	15	14
PORTABLE SAMPLER RECEPTACLE	15	15	+	+	+	15	16
PORTABLE SAMPLER ALARM BOX RECEPTACLE	17	15	+	+	+	15	18
SPARE	19	15	+	+	+	15	20
SPARE	21	15	+	+	+	15	22
SPARE	23	15	+	+	+	15	24
SPARE	25	15	+	+	+	15	26
SPARE	27	15	+	+	+	15	28
SPARE	29	15	+	+	+	15	30



SINGLE LINE DIAGRAM



U:\1110865\544\_Drawing\Sheet Files\08\_electrical\0806E-102.dwg 2009-10-13 08:13AM Bc\_binnards

METRIC  
WHOLE NUMBERS INDICATE MILLIMETRES  
DECIMALIZED NUMBERS INDICATE METRES

**APEGM**  
Certificate of Authorization  
Stantec Consulting Ltd.  
No. 1301 Expiry: April 30, 2010

LOCATION APPROVED UNDERGROUND STRUCTURES	B.M. 81-007 ELEV. 230.438
SUPV. U/G STRUCTURES COMMITTEE	DATE
NOTE: LOCATION OF UNDERGROUND STRUCTURES AS SHOWN ARE BASED ON THE BEST INFORMATION AVAILABLE BUT NO GUARANTEE IS GIVEN THAT ALL EXISTING UTILITIES ARE SHOWN OR THAT THE GIVEN LOCATIONS ARE EXACT. CONFIRMATION OF EXISTENCE AND EXACT LOCATION OF ALL SERVICES MUST BE OBTAINED FROM THE INDIVIDUAL UTILITIES BEFORE PROCEEDING WITH CONSTRUCTION.	
A ISSUED FOR TENDER	09.10.13
NO. REVISIONS	DATE BY
	DATE 09.09.18

Stantec Consulting Ltd.	
905 Waverley Street, Winnipeg, Manitoba Tel 204-489-5900 Fax 204-453-9012	
DESIGNED BY S.T.	CHECKED BY D.D.
DRAWN BY S.T.	APPROVED BY D.D.
HOR. SCALE: VERTICAL:	RELEASED FOR CONSTRUCTION:
	DATE

ENGINEER'S SEAL

ORIGINAL SEALED BY S. TREBIC P. ENG. 09/10/13

BID OPPORTUNITY NO. 709-2009

**THE CITY OF WINNIPEG**  
WATER AND WASTE DEPARTMENT

Winnipeg

**SOUTH END WATER POLLUTION CONTROL CENTRE**  
INSTALLATION OF OUTFALL PIPE,  
EFFLUENT SAMPLING BUILDING AND ASSOCIATE WORKS  
MOTOR SCHEDULE, PANELS SCHEDULE  
MOTOR WIRING DIAGRAM, PANEL LAYOUT

CITY DRAWING NUMBER 1-0102A-E0012-001

SHEET 1 OF 1