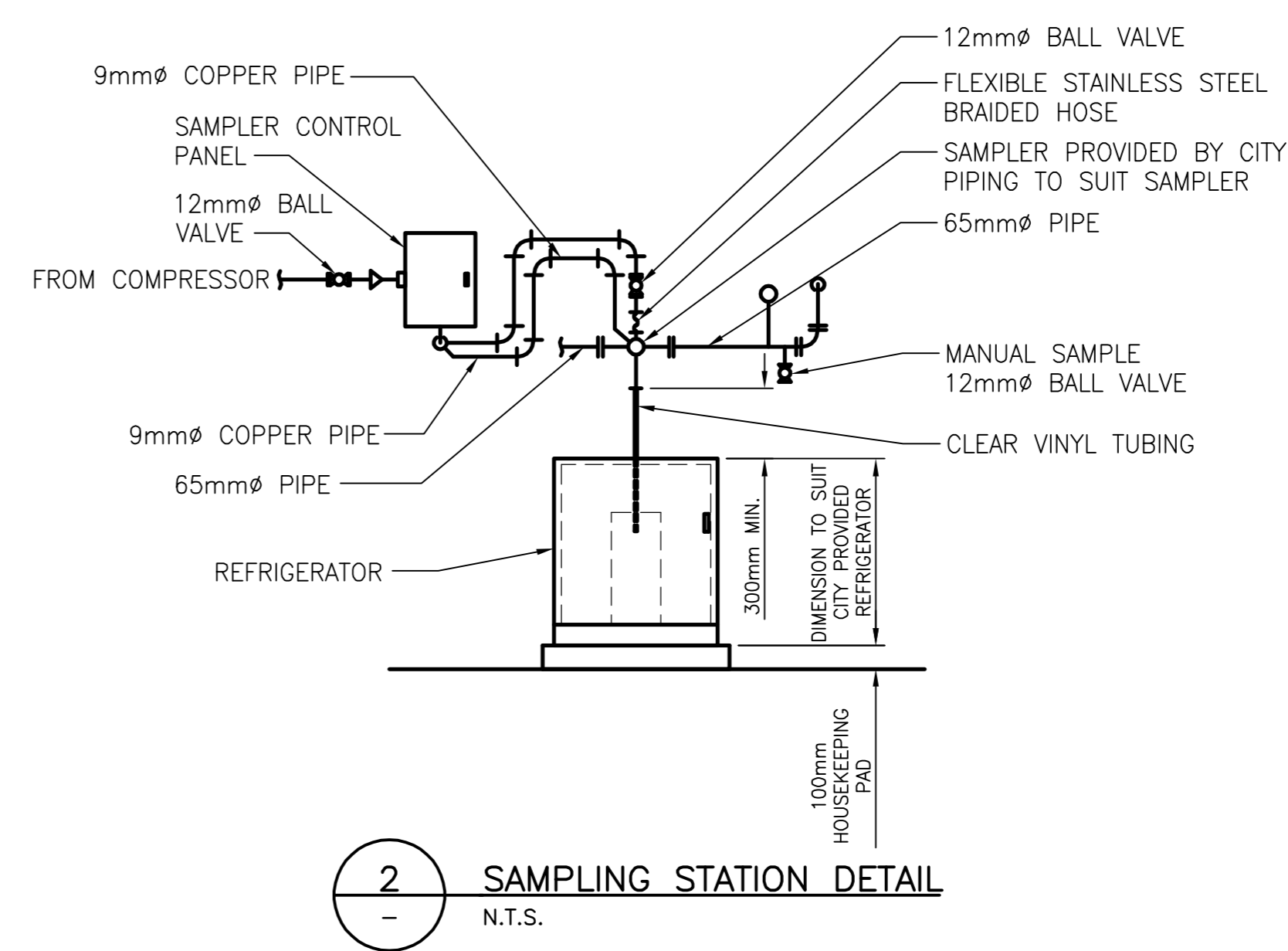
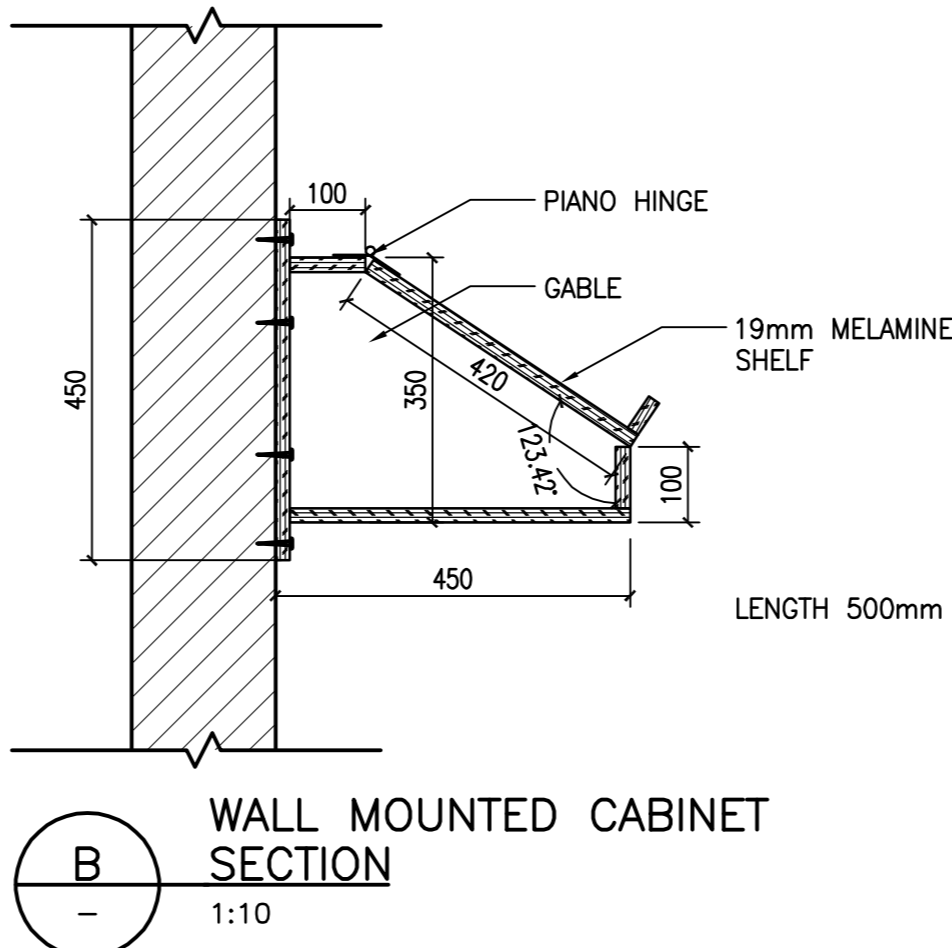


LEGEND

- IDENTIFICATION (L-LOUVRE, D-DAMPER, S-SUPPLY DIFFUSERS AND GRILLES)
- SIZE
- AIR FLOW RATE L/S
- FLEXIBLE CONNECTOR
- MOTORIZED DAMPER
- RECTANGULAR DUCT
- INSULATED DUCT
- SUPPLY/EXHAUST AIR GRILLE/LOUVRE (HORIZONTAL)
- CONTROL WIRE
- SWITCH
- FLOOR DRAIN WITH TRAP
- SOLENOID VALVE
- BALL VALVE
- FLOOR DRAIN WITH FUNNEL
- PRESSURE SWITCH
- PRESSURE GAUGE c/w DIAPHRAGM
- FLOW SWITCH
- REDUCER
- CLEAN OUT

NOTES:

- 1 100mmx381mm LONG FLANGED STEEL SAMPLING SPOOL FITTING TO BE PROVIDED BY CITY
- 2 PROVIDE P.V.C. FLANGED SCHEDULE 80 REDUCER ON EACH END OF THE SAMPLING SPOOL FITTING
- 3 ALL SAMPLE PIPING IN DRY ROOM TO BE FLANGED WITH NEOPRENE GASKET AND STAINLESS STEEL BOLTS, WASHERS AND NUTS
- 4 PROVIDE SCHEDULE 80 P.V.C. THREADED UNION (ONE UPSTREAM AND ONE DOWNSTREAM OF SAMPLER SPOOL PIECE)
- 5 ALL SAMPLE LINES TO BE PAINTED COLOUR EMERALD ICE (SW4069)
- 6 ALL PROCESS AIR LINES TO BE PAINTED COLOUR GRANDVIEW GREEN (SW6466)
- 7 MANITOBA CONSERVATION CONNECTION SAMPLER. SEE DRAWING M0002
- 8 IN2 QUATUM SAMPLER TO BE PROVIDED BY THE CITY



839068 - N. side Frohisher Rd., 0.25km W. of St. Mary's Rd., Toll, on top of 0.05m dia x 1.2m iron pipe (near conc. gate chamber), 7.1m Nly. of N. side & 9.8m Wly. of W. side of conc. gate chamber 0.25km W. of St. Mary's Rd.

APEGM
Certificate of Authorization
Stantec Consulting Ltd.
No. 1301 Expiry: April 30, 2010

LOCATION APPROVED UNDERGROUND STRUCTURES SUPV. U/G STRUCTURES COMMITTEE DATE NOTE: LOCATION OF UNDERGROUND STRUCTURES AS SHOWN ARE BASED ON THE BEST INFORMATION AVAILABLE BUT NO GUARANTEE IS GIVEN THAT ALL EXISTING UTILITIES ARE SHOWN OR THAT THE GIVEN LOCATIONS ARE EXACT. CONFIRMATION OF EXISTENCE AND EXACT LOCATION OF ALL SERVICES MUST BE OBTAINED FROM THE INDIVIDUAL UTILITIES BEFORE PROCEEDING WITH CONSTRUCTION.		B.M. 81-007 ELEV. 230.438	Stantec Consulting Ltd. 905 Waverley Street, Winnipeg, Manitoba Tel 204-489-5900 Fax 204-453-9012	ENGINEER'S SEAL ORIGINAL SEALED BY A.H. BEGHIN P. ENG. 09/10/13	THE CITY OF WINNIPEG WATER AND WASTE DEPARTMENT Winnipeg SOUTH END WATER POLLUTION CONTROL CENTRE INSTALLATION OF OUTFALL PIPE, EFFLUENT SAMPLING FACILITY AND ASSOCIATED WORKS BUILDING VENTILATION AND SAMPLING MONITORING PLANS
DESIGNED BY A.B. CHECKED BY A.B. DRAWN BY W.A. APPROVED BY A.B.	HOR. SCALE: 1:25 VERTICAL: RELEASED FOR CONSTRUCTION:	TENDER NO. 709-2009	CITY DRAWING NUMBER 1-0102A-D-M0001-001-00	SHEET 1 OF 1	
A ISSUED FOR TENDER 09.10.13 NO. REVISIONS DATE BY DATE 09.09.21					

I:\112086\544_Drawing\Sheet Files\05_mechanical\08668m-101.dwg
 2009-10-13 09:04AM By: jmorales

METRIC
WHOLE NUMBERS INDICATE MILLIMETRES
DECIMALIZED NUMBERS INDICATE METRES