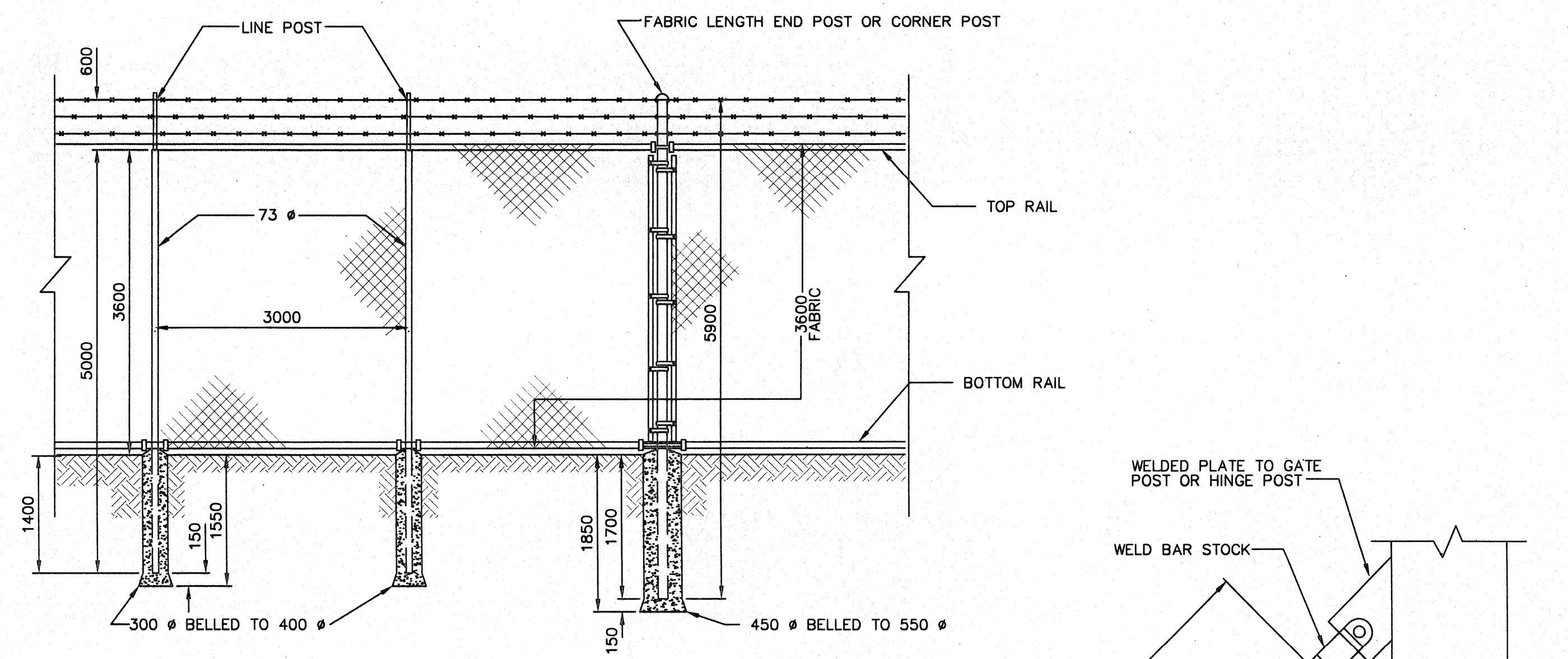
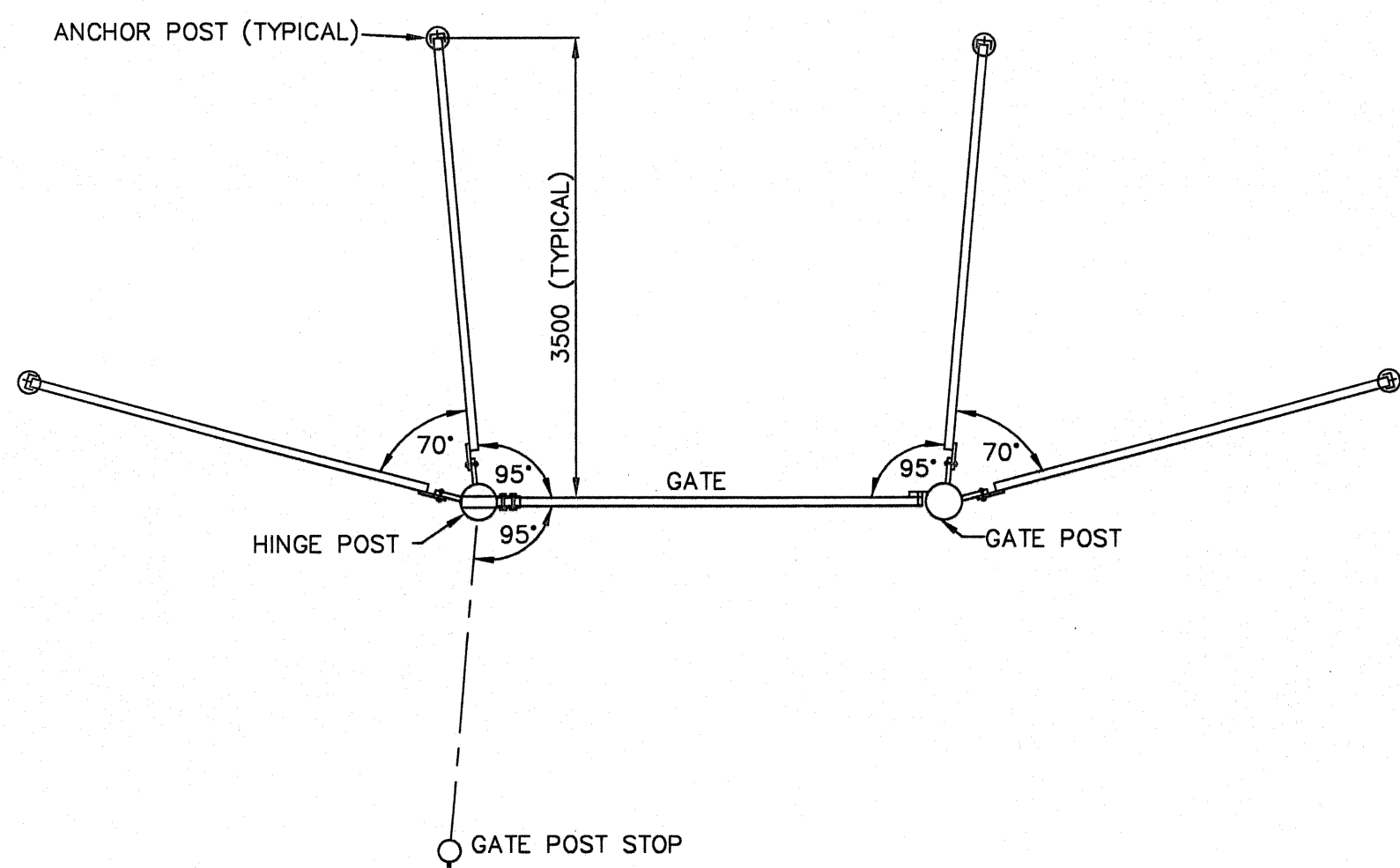


GATE DETAILS  
SCALE 1 : 50

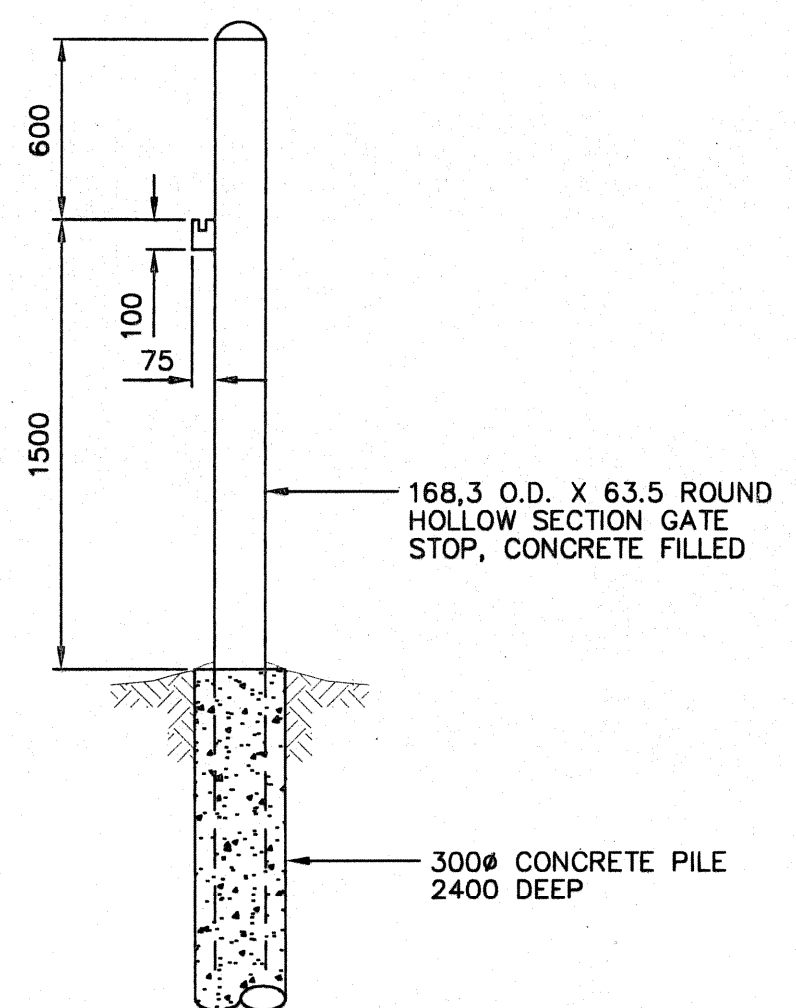


INSTALLATION DETAIL  
SCALE 1 : 50

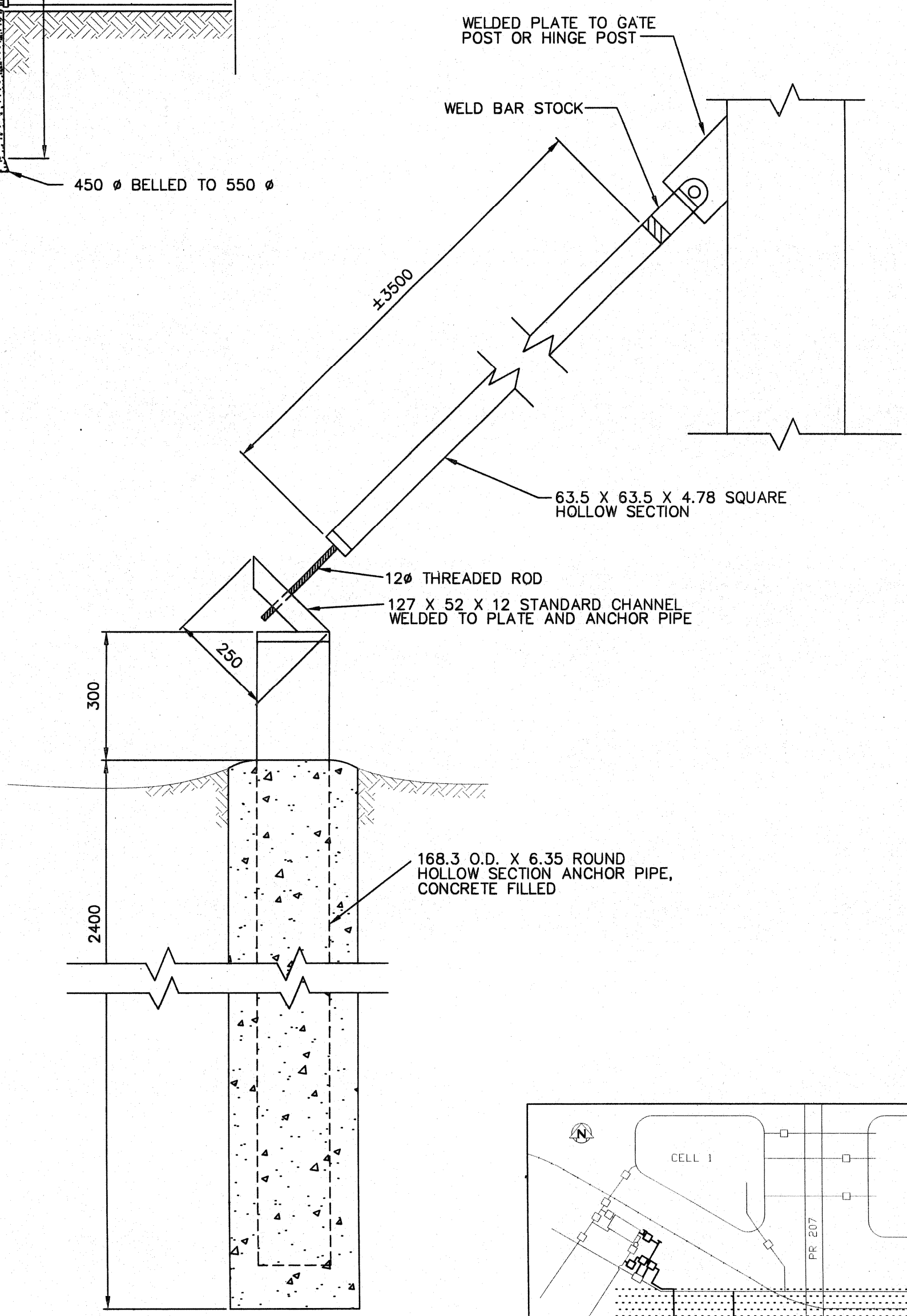


PLAN OF ANCHOR AND GATE STOP LOCATIONS  
SCALE 1 : 50

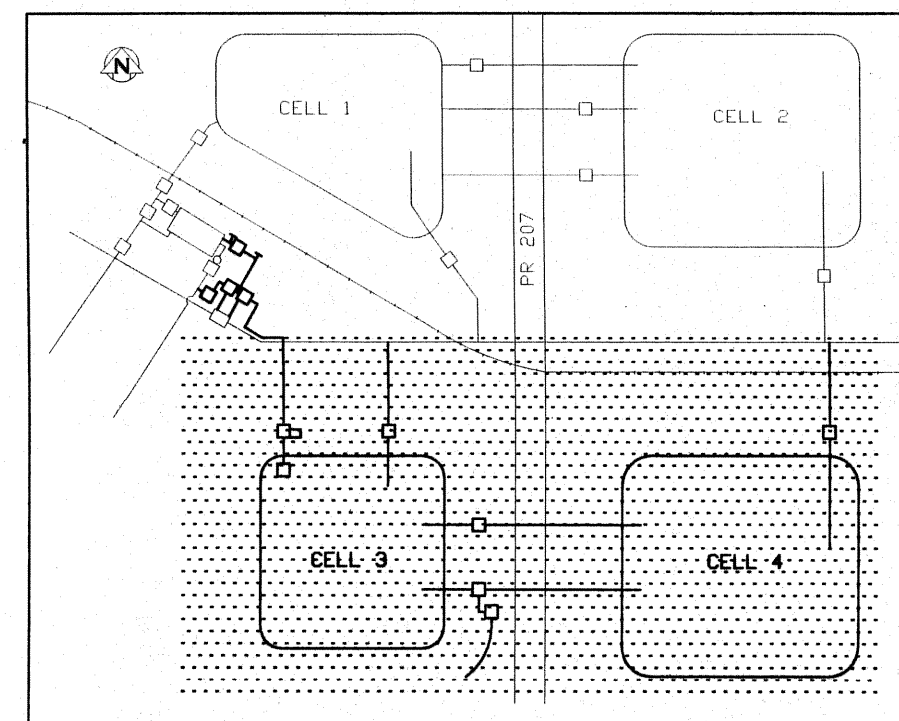
NOTE: SEE DRAWING NO. D-2121 FOR LOCATION OF CHAIN LINK FENCING AND GATES



GATE STOP DETAIL  
SCALE 1 : 10



ANCHOR DETAIL  
SCALE 1 : 10



KEY PLAN

**AS-CONSTRUCTED**  
*Roberta L. Colton* 01.09.27  
CONTRACT ADMINISTRATION DRAFTING & GRAPHIC SERVICES DATE  
WATER AND WASTE DEPARTMENT

**METRIC**  
WHOLE NUMBERS INDICATE MILLIMETRES  
DECIMALIZED NUMBERS INDICATE METRES

Prepared By: The Engineering Division of the Waterworks, Waste and Disposal Department		ENGINEER'S SEAL
DESIGNED BY CT	CHECKED BY CT/KMD	ORIGINAL SIGNED BY J. E. COMEAU 1995.01.30
DRAWN BY WKT/EN	APPROVED BY JEC	TENDER 95-2 AUTOCADR2000
HOR. SCALE AS NOTED	RELEASED FOR CONSTRUCTION	
REVISOR NO.	DATE	BY
1	98.05.15	TM
2	1995 01 20	

**THE CITY OF WINNIPEG**  
WORKS AND OPERATIONS DIVISION  
WATERWORKS WASTE AND DISPOSAL DEPARTMENT

DEACON RESERVOIR EXPANSION  
CONSTRUCTION OF CELL 3 AND CELL 4  
FENCING DETAILS

SHEET OF  
CITY DRAWING NUMBER  
**D-2123**

D-2123