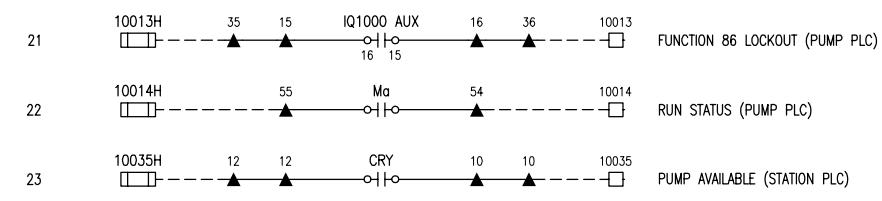
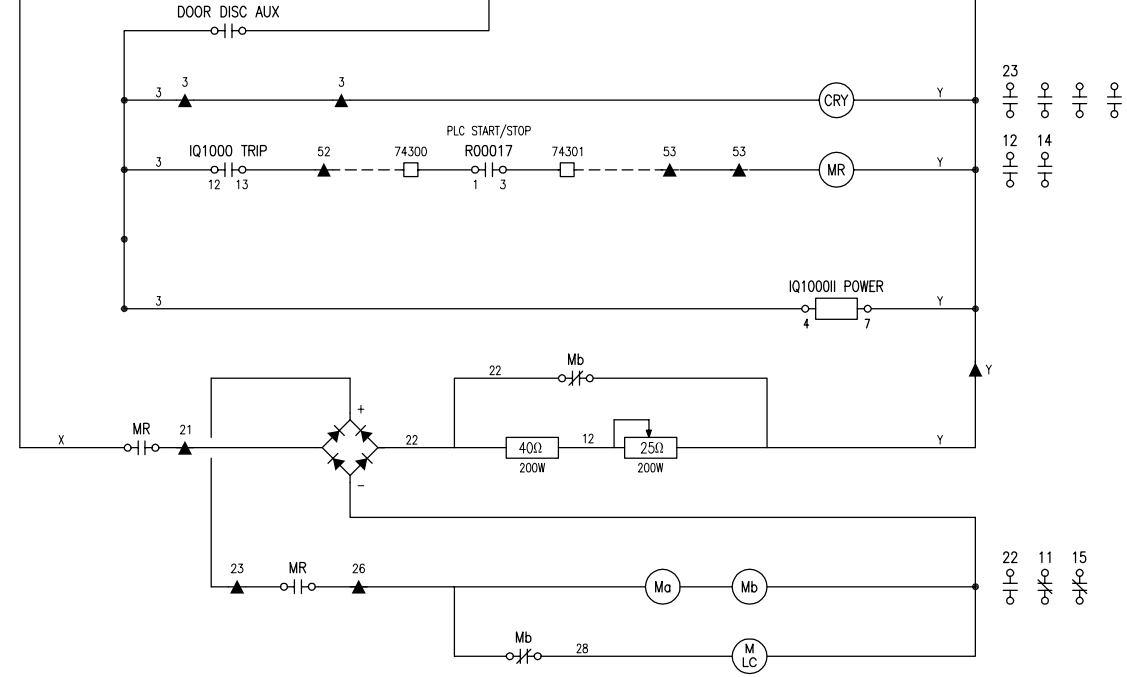
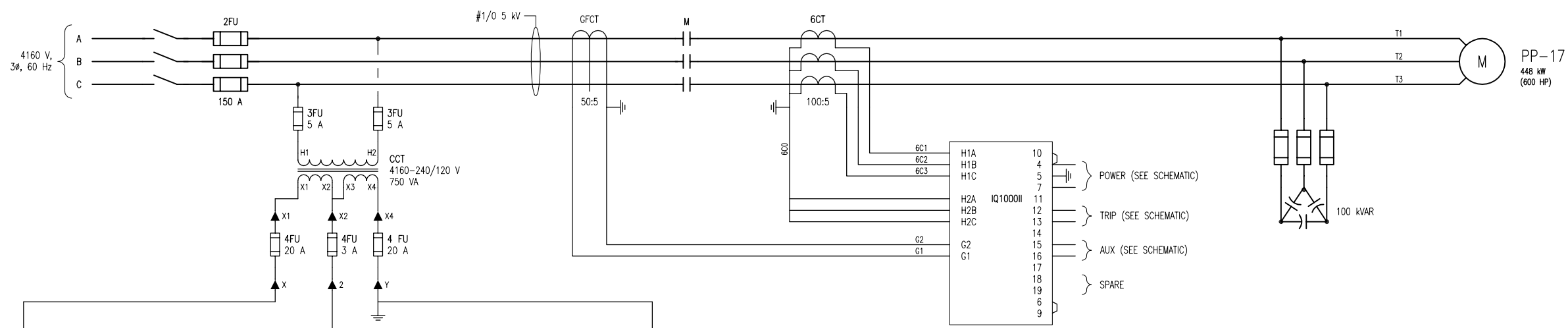


AT SIZE - 594mm x 841mm

1
2
3
4
5
6
7
8
9
10
11
12
13
14
15
16
17
18
19
20



LEGEND:
 - - - - - FIELD WIRING
 ——— STARTER / PANEL WIRING
 ▲ STARTER TERMINAL
 □ CONTROL PANEL TERMINAL

LAST SAVE: 2009/05/29 - 8:21am
 PATH: M:\12900\GEN\WEELE\DD - General DWG\Hurst\1-0650M-E0010-001-01.dwg

1-0650M-E0002	ELECTRICAL SINGLE LINE DIAGRAM - 4160 V DISTRIBUTION
DRAWING NUMBER	REFERENCE DRAWINGS

B.M. ELEV.	FIELD BOOK #:	SNC-LAVALIN INC. 148 Notaire Park Way Winnipeg, MB, Canada R3P 0X7 204-786-8080		ENGINEER'S SEAL	
POSTED TO LBIS		DESIGNED BY	EXISTING	CHECKED BY	CJR
		DRAWN BY	CJR/EFB	APPROVED BY	CJR
		HOR. SCALE	NTS	RELEASED FOR CONSTRUCTION	
		VERTICAL	NTS	DATE	2006/02/06
01	REVISED DRAWING NUMBER	2008/02/13	AEO	DATE	
00	ISSUED FOR CITY USE	2007/08/28	Y.M	DATE	
NO.	REVISIONS	DATE	BY	FILENAME: 1-0650M-E0010-001-01.dwg	

THE CITY OF WINNIPEG
 WATER AND WASTE DEPARTMENT
 HURST PUMPING STATION
 MOTOR STARTER SCHEMATIC
 PUMP PP-17
 CITY DRAWING NUMBER: 1-0650M-E0010
 SHEET: 001
 REV: 01
 SIZE: A1