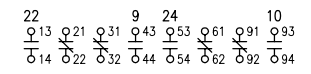
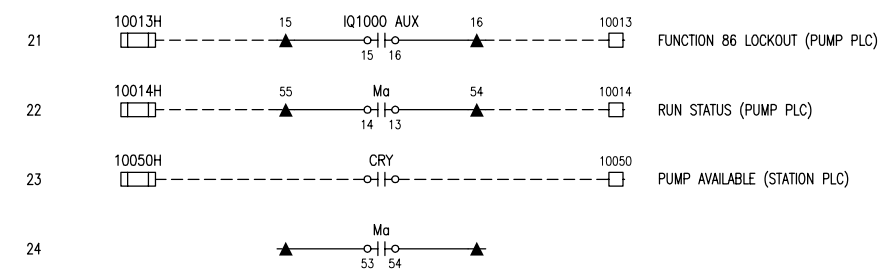
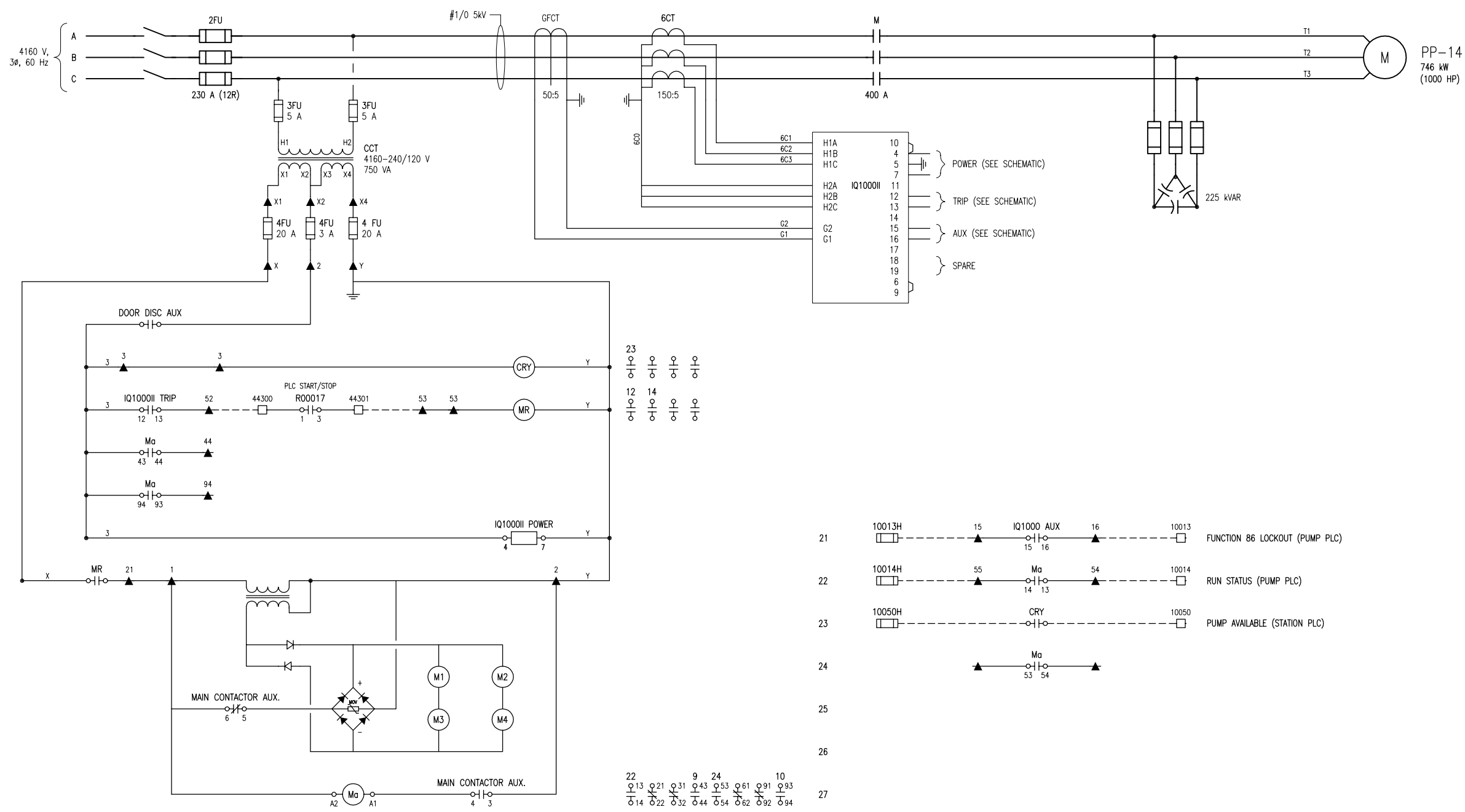


1
2
3
4
5
6
7
8
9
10
11
12
13
14
15
16
17
18
19
20



LEGEND:
 - - - - - FIELD WIRING
 ——— STARTER / PANEL WIRING
 ▲ STARTER TERMINAL
 □ CONTROL PANEL TERMINAL

1-0650M-E0002	ELECTRICAL SINGLE LINE DIAGRAM - 4160 V DISTRIBUTION
DRAWING NUMBER	REFERENCE DRAWINGS

B.M. ELEV.	FIELD BOOK #:	 SNC-LAVALIN INC. 148 Victoria Park Way Winnipeg, MB, Canada R3P 0X7 204-786-8080	ENGINEER'S SEAL
POSTED TO LBIS			DESIGNED BY: EXISTING CHECKED BY: CJR DRAWN BY: CJR/EFB APPROVED BY: CJR HOR. SCALE: NTS VERTICAL: NTS RELEASED FOR CONSTRUCTION DATE: 2006/02/06 DATE:
01 REVISED DRAWING NUMBER	2008/02/13	AEO	
00 ISSUED FOR CITY USE	2007/08/28	Y.M	
NO. REVISIONS	DATE	BY	FILENAME: 1-0650M-E0007-001-01.dwg
 THE CITY OF WINNIPEG WATER AND WASTE DEPARTMENT HURST PUMPING STATION MOTOR STARTER SCHEMATIC PUMP PP-14			
CITY DRAWING NUMBER		SHEET	REV. SIZE
1-0650M-E0007		001	01 A1