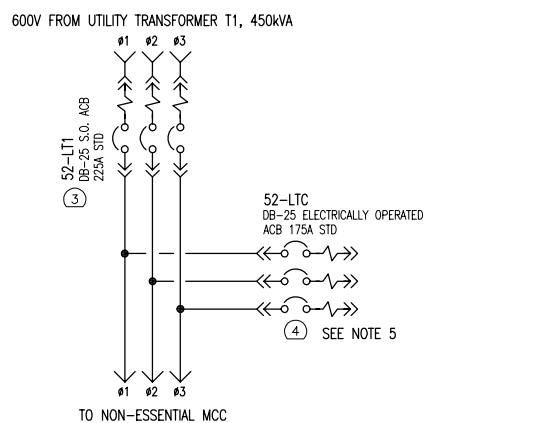
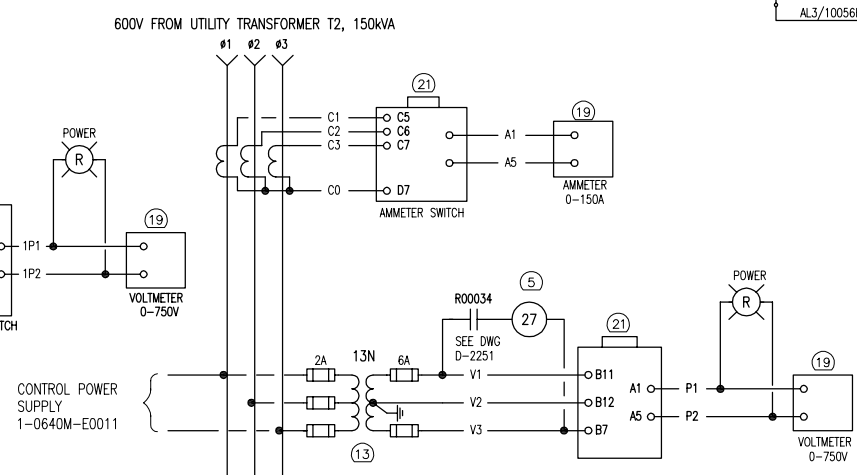
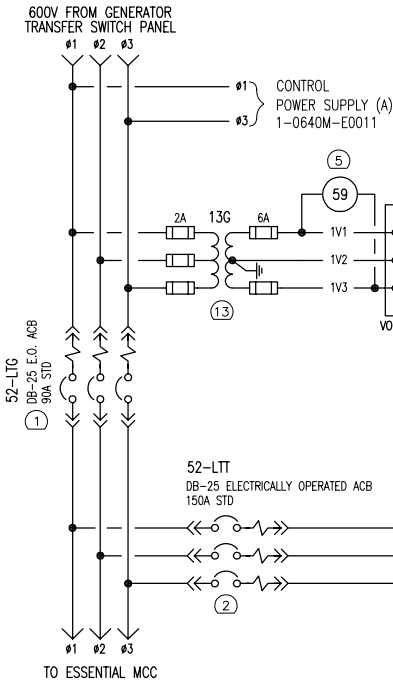
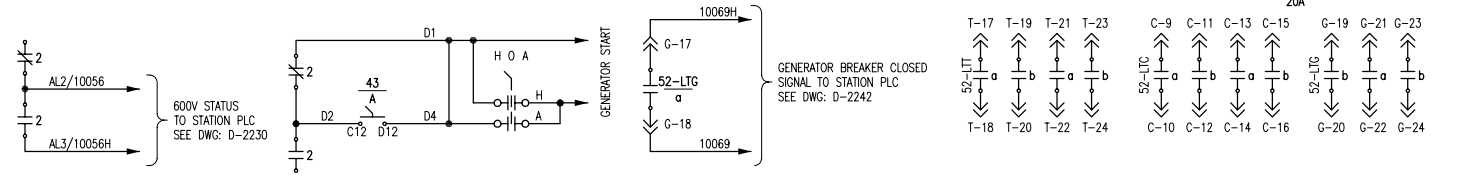
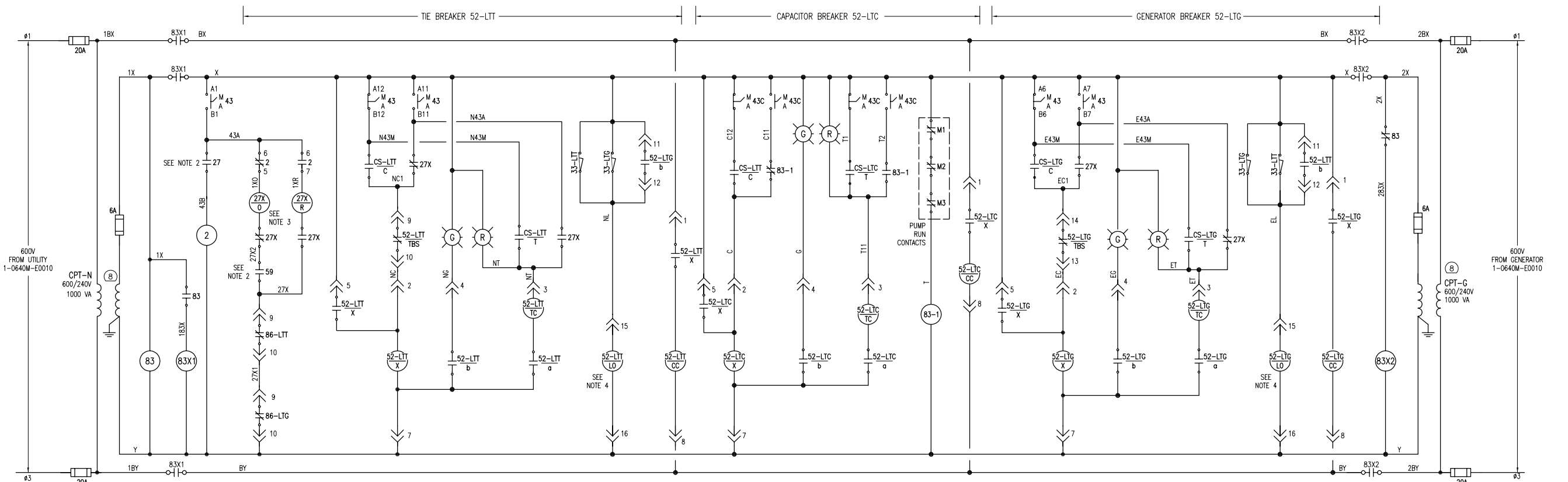


LAST SAVE: 2009/05/29 - 8:37am
 PATH: M:\1\2900\VENUE\LEVEL\DD - General DWG\McPhillips\1-0640M-E0010-001-01.dwg
 AT SIZE - 594mm x 841mm



- LEGEND:**
- 2 TIME DELAY
 - 27 UNDERVOLTAGE RELAY
 - 27X AUXILIARY UNDERVOLTAGE RELAY
 - 33 POSITION SWITCH (BREAKER REMOVED)
 - 43 TRANSFER SWITCH (MANUAL/AUTO)
 - 59 OVERVOLTAGE RELAY
 - 83 SOURCE SELECT/TRANSFER RELAY
 - 83X1 AUXILIARY SOURCE SELECT/TRANSFER RELAY
 - 83X2 AUXILIARY SOURCE SELECT/TRANSFER RELAY
 - 86 LOCKOUT RELAY/SWITCH
- DEVICE SUFFIXES:**
- a NORMALLY OPEN BREAKER POSITION, CONTACT IS CLOSED WHEN BREAKER IS CLOSED
 - b NORMALLY CLOSED BREAKER POSITION, CONTACT IS CLOSED WHEN BREAKER IS OPEN
 - A AUTO
 - C CLOSE
 - CC CLOSING COIL
 - LO LOCKOUT COIL
 - M MANUAL
 - O OPERATE
 - R RELEASE
 - T TRIP
 - TBS TRIP BAR SWITCH
 - TC TRIP COIL

- NOTES:**
- THIS DRAWING SUPERCEDES PART OF DRAWING L-MCP-21. THE CONTENTS OF THIS DRAWING ARE BASED UPON THE SUPERCEDED DRAWING AND MARKUPS BY CITY PERSONNEL.
 - RELAY 27 AND 59 CONTACTS CLOSE AT 104V AND OPEN AT 82V.
 - RELAY 27X MAY CURRENTLY BE IDENTIFIED AS 27X-LTT ON EXISTING DOCUMENTATION AND LABELLING. THE 27X LATCHED POSITION INDICATES THE GENERATOR IS RUNNING AND COMMANDS 52-LTT TO OPEN AND 52-LTG TO CLOSE, IF THE TRANSFER SWITCH IS IN AUTO.
 - THE ELECTRIC LOCKOUT WILL HOLD THE BREAKER OPEN UNTIL THE LOCKOUT COIL IS ENERGIZED. DE-ENERGIZING THE LOCKOUT COIL AFTER THE BREAKER IS CLOSED WILL NOT TRIP THE BREAKER.
 - THE CAPACITORS ASSOCIATED WITH 52-LTC HAVE BEEN REMOVED.

DRAWING NUMBER	REFERENCE DRAWINGS
D-2230	GENERATOR BREAKER STATUS LOOP DIAGRAM
1-0640M-E0010	THREE-LINE DIAGRAM
753C679	WIRING DIAGRAM - CELL #6
753C679	WIRING DIAGRAM - CELL #7
753C679	INSTRUMENT PANEL WIRING DIAGRAM - CELL #6
753C679	INSTRUMENT PANEL WIRING DIAGRAM - CELL #7
693A835-01	MASTER DRAWING LIST
693A835-50	BILL OF MATERIALS
753C807	SEQUENCE OF OPERATIONS

B.M. ELEV.		FIELD BOOK #:	
POSTED TO LBIS			
O1	REVISED DRAWING NUMBER	2008/02/13	AEO
O0	ISSUED FOR CITY USE	2007/09/20	AEO
NO.	REVISIONS	DATE	BY

SNC-LAVALIN INC.
 148 Murray Park Way
 Winnipeg, MB, Canada R3P 0X7
 204-786-8080

DESIGNED BY: KHZ
 CHECKED BY: CJR
 DRAWN BY: KHZ
 APPROVED BY:
 HOR. SCALE: NTS
 VERTICAL: NTS
 DATE: 2007-01-11
 FILENAME: 1-0640M-E0010-001-01.dwg

THE CITY OF WINNIPEG
 WATER AND WASTE DEPARTMENT

CONTROL SCHEMATIC
600V MAIN BREAKER CONTROL

MCPPHILLIPS PUMPING STATION

CITY DRAWING NUMBER	SHEET	REV.	SIZE
1-0640M-E0010	001	01	A1