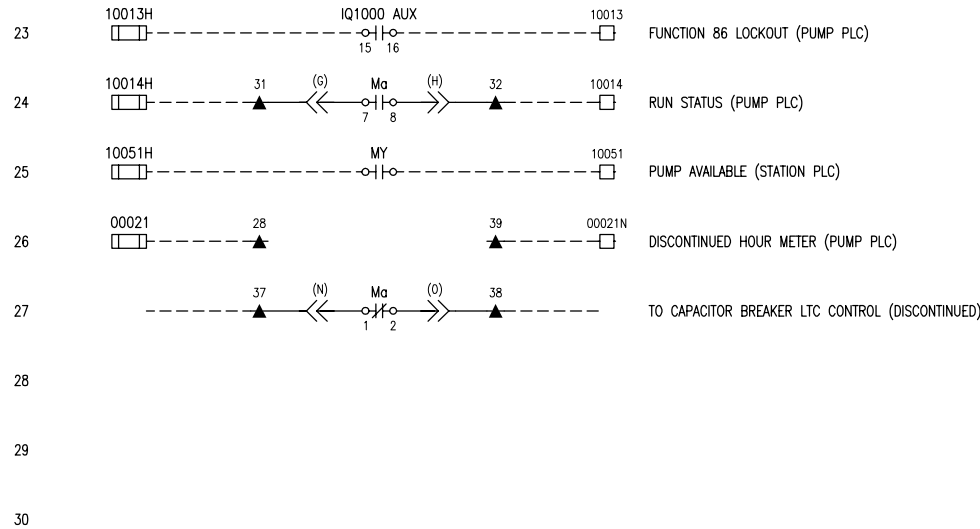
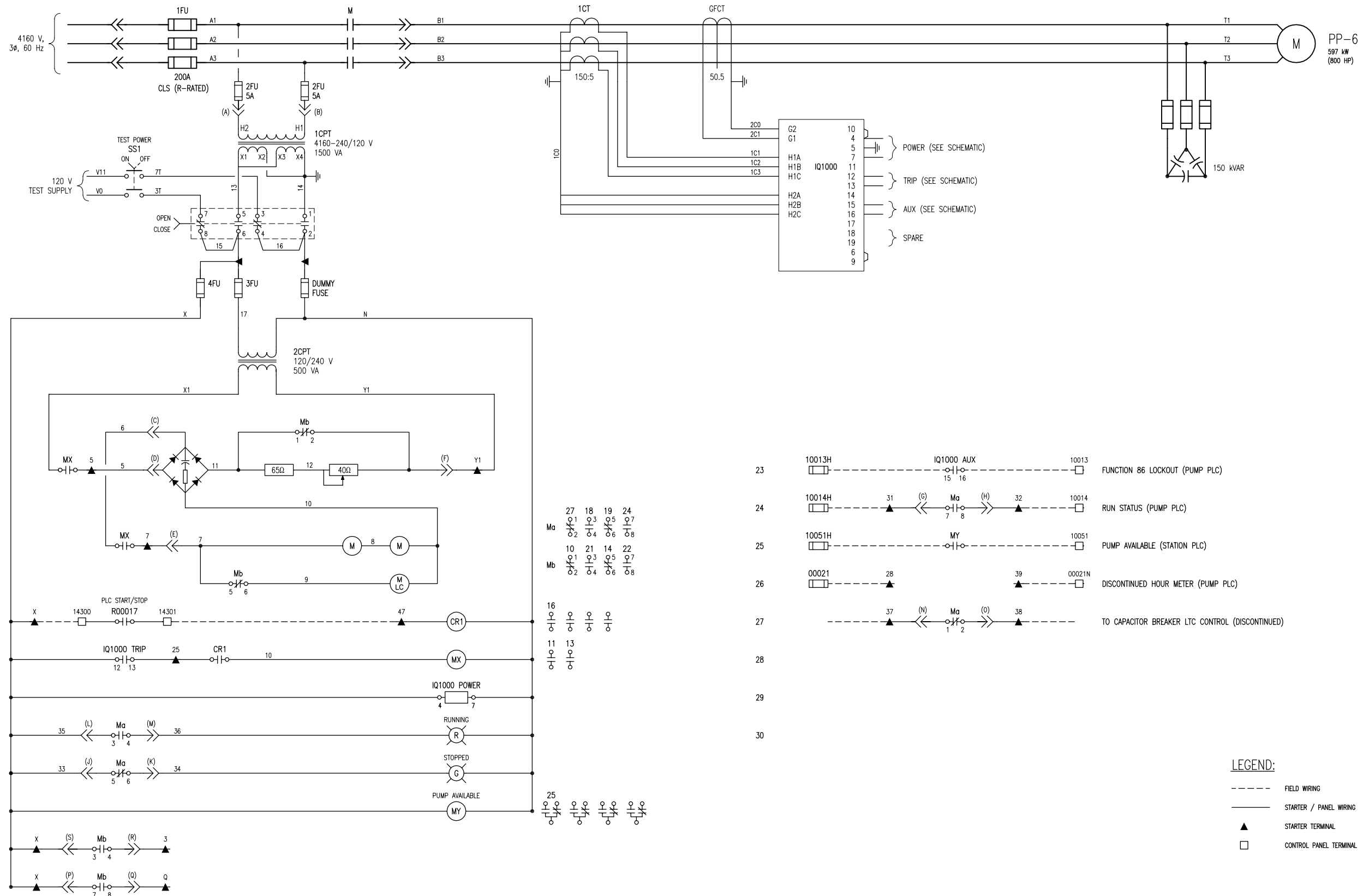


AT SIZE - 594mm x 841mm

1
2
3
4
5
6
7
8
9
10
11
12
13
14
15
16
17
18
19
20
21
22



LEGEND:
 - - - - - FIELD WIRING
 _____ STARTER / PANEL WIRING
 ▲ STARTER TERMINAL
 □ CONTROL PANEL TERMINAL

NOTES:
 1. STARTER IS A WESTINGHOUSE CLASS II HS2 AMPGUARD STARTER

B.M. ELEV.	FIELD BOOK #	 SNC-LAVALIN INC. 148 Victoria Park Way Winnipeg, MB, Canada R3P 0X7 204-786-8080	ENGINEER'S SEAL
POSTED TO LBIS			 THE CITY OF WINNIPEG WATER AND WASTE DEPARTMENT MCPHILLIPS PUMPING STATION MOTOR STARTER SCHEMATIC PUMP PP-6
DESIGNED BY	EXISTING	CHECKED BY	CJR
DRAWN BY	CJR	APPROVED BY	CJR
HOR. SCALE	NTS	RELEASED FOR CONSTRUCTION	
VERTICAL SCALE	NTS	DATE	2006/01/26
01 REVISED DRAWING NUMBER	2008/02/13	AEO	
00 ISSUED FOR CITY USE	2007/08/28	Y.M	
NO. REVISIONS	DATE	BY	FILENAME: 1-0640M-E0009-001-01.dwg
DRAWING NUMBER		CITY DRAWING NUMBER	
1-0640M-E0002		1-0640M-E0009	
ELECTRICAL SINGLE LINE DIAGRAM - 4160 V DISTRIBUTION		SHEET REV. SIZE	
REFERENCE DRAWINGS		001 01 A1	

LAST SAVE: 2009/05/29 - 8:37am
 PATH: M:\12900\VENG\VELE\DD - General\DWG\McPhillips\1-0640M-E0009-001-01.dwg