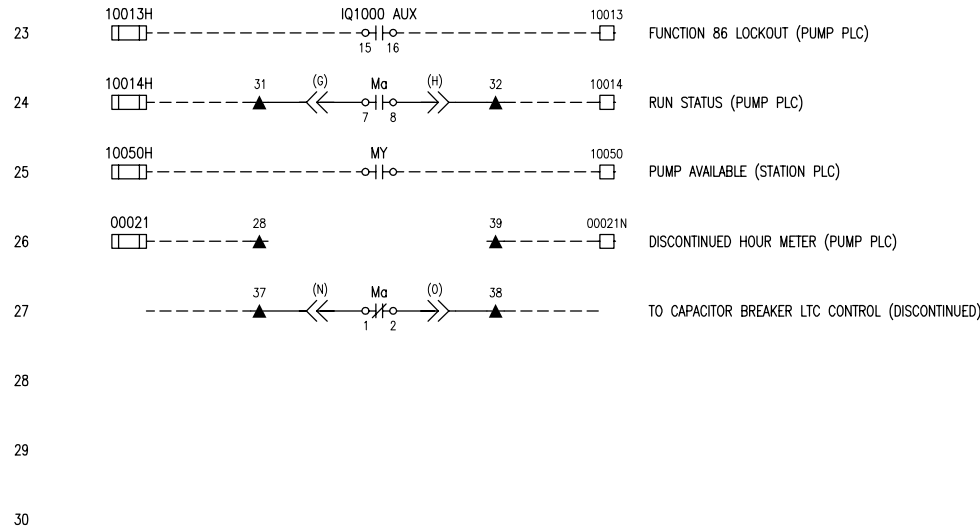
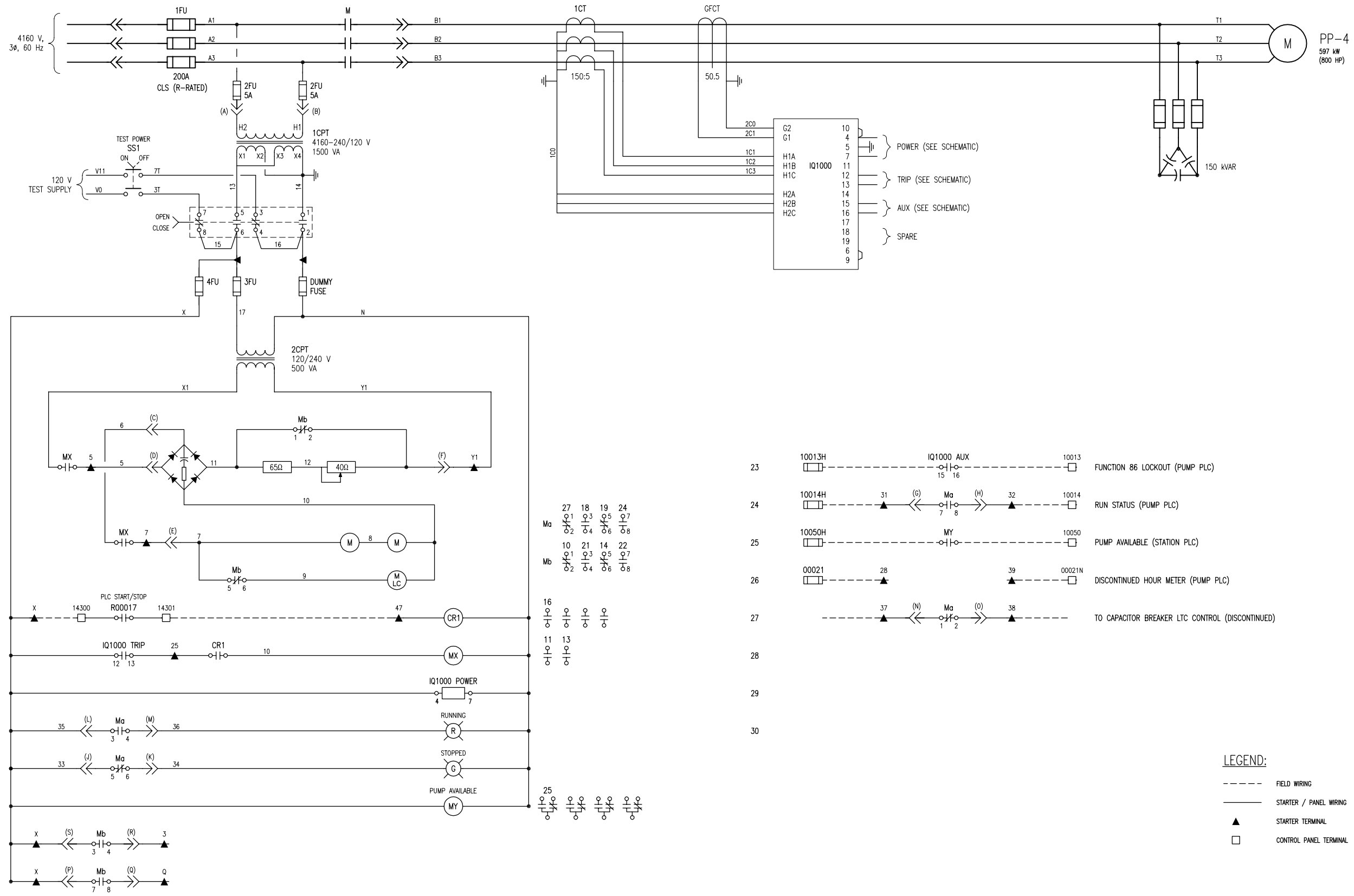


1
2
3
4
5
6
7
8
9
10
11
12
13
14
15
16
17
18
19
20
21
22



LEGEND:
 - - - - - FIELD WIRING
 ——— STARTER / PANEL WIRING
 ▲ STARTER TERMINAL
 □ CONTROL PANEL TERMINAL

NOTES:
 1. STARTER IS A WESTINGHOUSE CLASS II HS2 AMPGUARD STARTER

LAST SAVE: 2009/05/29 - 8:37am
 PATH: M:\12900\VENG\VELE\DD - General\DWG\McPhillips\1-0640M-E0008-001-01.dwg

1-0640M-E0002	ELECTRICAL SINGLE LINE DIAGRAM - 4160 V DISTRIBUTION
DRAWING NUMBER	REFERENCE DRAWINGS

B.M. ELEV.	FIELD BOOK #	SNC-LAVALIN INC. 148 Victoria Park Way Winnipeg, MB, Canada R3P 0X7 204-786-8080	ENGINEER'S SEAL	THE CITY OF WINNIPEG WATER AND WASTE DEPARTMENT MCPHILLIPS PUMPING STATION MOTOR STARTER SCHEMATIC PUMP PP-4
POSTED TO LBIS			DESIGNED BY: EXISTING CHECKED BY: CJR DRAWN BY: CJR APPROVED BY: CJR HOR. SCALE: NTS VERTICAL: NTS RELEASED FOR CONSTRUCTION DATE: 2006/01/26 DATE:	
01 REVISED DRAWING NUMBER	2008/02/13 AEO	DATE: 2006/01/26	DATE:	CITY DRAWING NUMBER: 1-0640M-E0008 SHEET REV. SIZE: 001 01 A1
00 ISSUED FOR CITY USE	2007/08/28 Y.M	DATE: 2006/01/26	DATE:	
NO. REVISIONS	DATE	BY	FILENAME: 1-0640M-E0008-001-01.dwg	