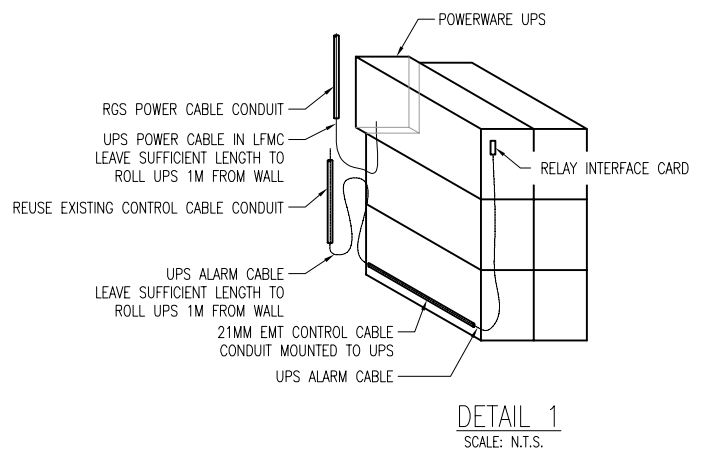
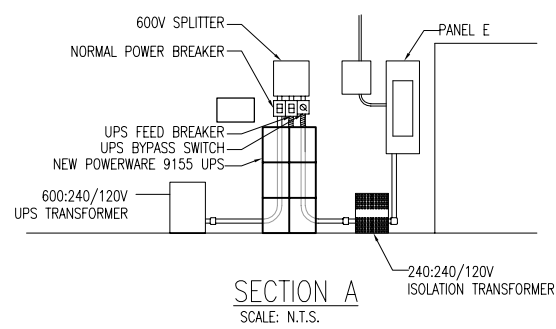
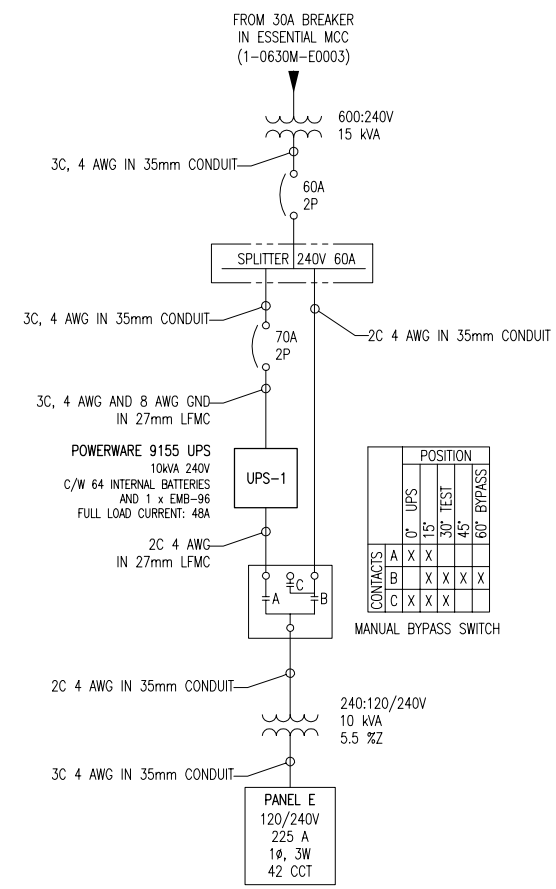


LEGEND	
LFMC	LIQUID TIGHT FLEXIBLE METAL CONDUIT
LFNMC	LIQUID TIGHT FLEXIBLE NON-METALLIC CONDUIT
RGS	RIGID GALVANIZED STEEL CONDUIT



DRAWING NUMBER	REFERENCE DRAWINGS



B.M. ELEV.	FIELD BOOK #	SNC-LAVALIN INC.		ENGINEER'S SEAL																	
POSTED TO LBIS		148 Notre Dame Way Winnipeg, MB, Canada R3P 0X7 204-786-8080		ORIGINAL DRAWING SEALED BY: C. J. REIMER 2009/03/14 REV. 02																	
DESIGNED BY	C. REIMER	CHECKED BY	C. REIMER	<table border="1"> <tr> <th colspan="2">POSITION</th> </tr> <tr> <td>UPS</td> <td>TS</td> </tr> <tr> <td>30P TEST</td> <td>45</td> </tr> <tr> <td>60T BYPASS</td> <td>60T</td> </tr> <tr> <th>CONTACTS</th> <td></td> </tr> <tr> <td>A</td> <td>X X X X</td> </tr> <tr> <td>B</td> <td>X X X X</td> </tr> <tr> <td>C</td> <td>X X X X</td> </tr> </table>		POSITION		UPS	TS	30P TEST	45	60T BYPASS	60T	CONTACTS		A	X X X X	B	X X X X	C	X X X X
POSITION																					
UPS	TS																				
30P TEST	45																				
60T BYPASS	60T																				
CONTACTS																					
A	X X X X																				
B	X X X X																				
C	X X X X																				
DRAWN BY	A. OLIVER	APPROVED BY	C. REIMER																		
HOR. SCALE	NTS	RELEASED FOR CONSTRUCTION	G. PATTON																		
VERTICAL	NTS	DATE	2008/05/13																		
DATE	2007/07/05	DATE	2008/05/13																		
NO. REVISIONS	DATE	BY	FILENAME: 1-0630M-E0008-001-02.dwg																		

THE CITY OF WINNIPEG
WATER AND WASTE DEPARTMENT

MACLEAN PUMPING STATION
UPS UPGRADES
SINGLE LINE DIAGRAM & LAYOUT
REMOVALS & INSTALLATIONS

CITY DRAWING NUMBER: 1-0630M-E0008
SHEET: 001
REV: 02
SIZE: A1