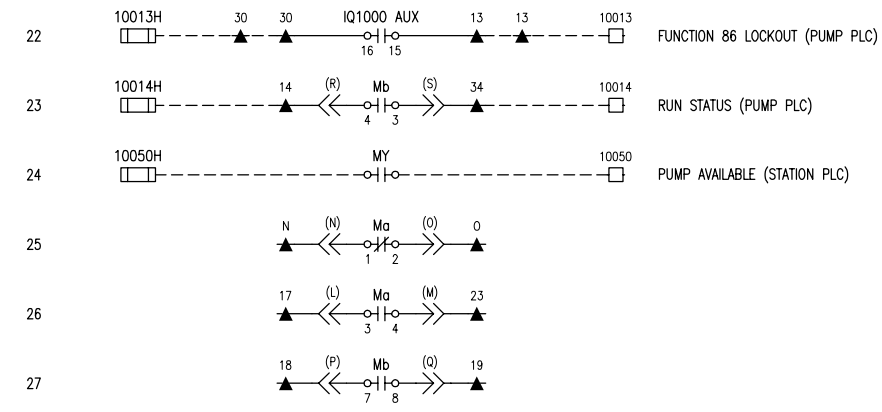
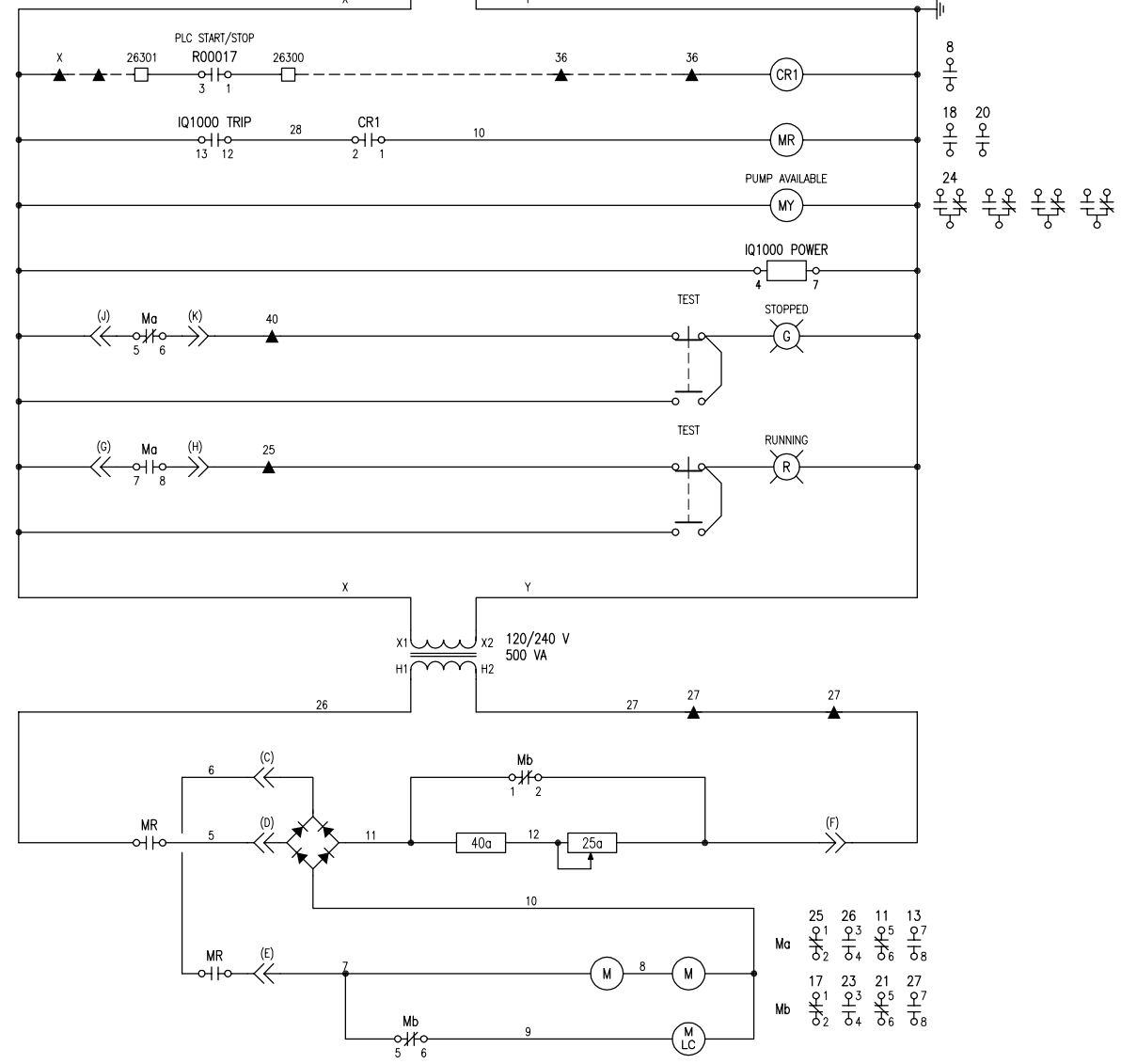
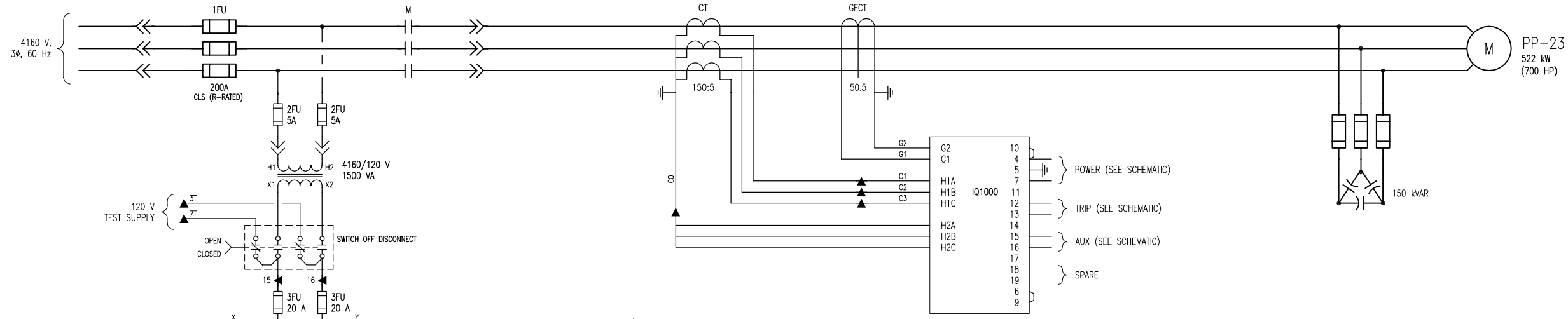


1  
2  
3  
4  
5  
6  
7  
8  
9  
10  
11  
12  
13  
14  
15  
16  
17  
18  
19  
20  
21



**LEGEND:**

----- FIELD WIRING

———— STARTER / PANEL WIRING

▲ STARTER TERMINAL

□ CONTROL PANEL TERMINAL

**NOTES:**

1. THE STARTER IS A WESTINGHOUSE AMPGUARD STARTER.

1-0630M-E0002	SINGLE LINE DIAGRAM 4160 V DISTRIBUTION
DRAWING NUMBER	REFERENCE DRAWINGS

B.M. ELEV.	FIELD BOOK #	<p>SNC-LAVALIN INC. 148 Mainville Park Way Winnipeg, MB, Canada R3P 0X7 204-786-8080</p>	ENGINEER'S SEAL	<p>THE CITY OF WINNIPEG WATER AND WASTE DEPARTMENT</p>
POSTED TO LBIS				
DESIGNED BY	EXISTING	CHECKED BY	CJR	<p>MACLEAN PUMPING STATION</p> <p>MOTOR STARTER SCHEMATIC PUMP PP-23</p>
DRAWN BY	DEB/CJR	APPROVED BY	CJR	
HOR. SCALE	NTS	RELEASED FOR CONSTRUCTION		
REVISOR	DATE	DATE	DATE	<p>CITY DRAWING NUMBER</p> <p>1-0630M-E0006</p>
NO. REVISIONS	DATE	BY	DATE	