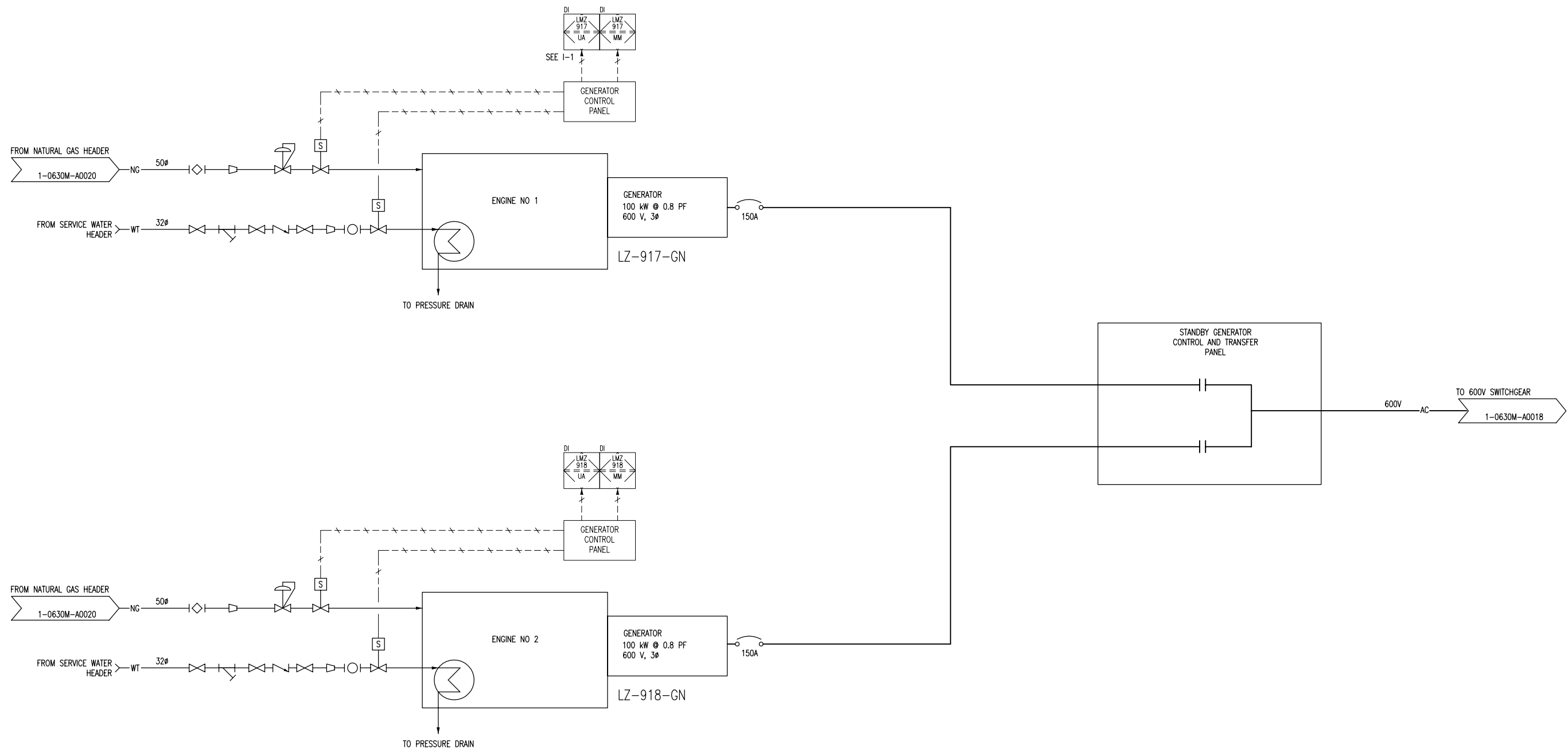


INCONSISTENCIES:
I-1 NO GENERATOR ALARM IS CURRENTLY AVAILABLE.



NOTES:
1. THIS DRAWING SUPERSEDES PART OF DRAWINGS D-1917 AND D-5404

1-0630M-A0001	PROCESS & INSTRUMENTATION DIAGRAMS LEGEND & DETAILS
DRAWING NUMBER	REFERENCE DRAWINGS

B.M. ELEV.	FIELD BOOK #			SNC-LAVALIN INC. 148 Nature Park Way Winnipeg, MB, Canada R3P 0X7 204-786-8080		ENGINEER'S SEAL
POSTED TO LBIS		DESIGNED BY	EXISTING	CHECKED BY	CJR	THE CITY OF WINNIPEG WATER AND WASTE DEPARTMENT MACLEAN PUMPING STATION PROCESS & INSTRUMENTATION DIAGRAMS GENERATORS 1 & 2
		DRAWN BY	EFB	APPROVED BY	CJR	
		HOR. SCALE	NTS	RELEASED FOR CONSTRUCTION		
		VERTICAL	NTS	DATE	DATE	
01 REVISED DRAWING NUMBER	2008/02/13	AEO				
00 ISSUED FOR CITY USE	2007/08/28	Y.M				
NO. REVISIONS	DATE	BY	FILENAME: 1-0630M-A0019-001-01.dwg			

CITY DRAWING NUMBER	SHEET	REV.	SIZE
1-0630M-A0019	001	01	A1