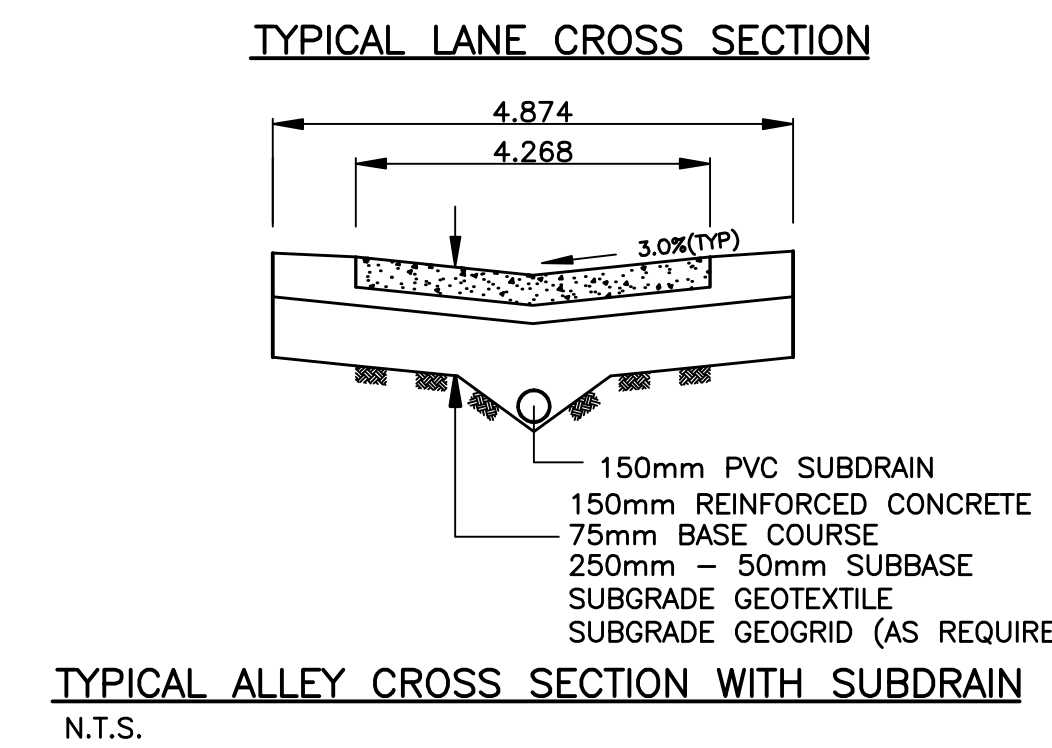
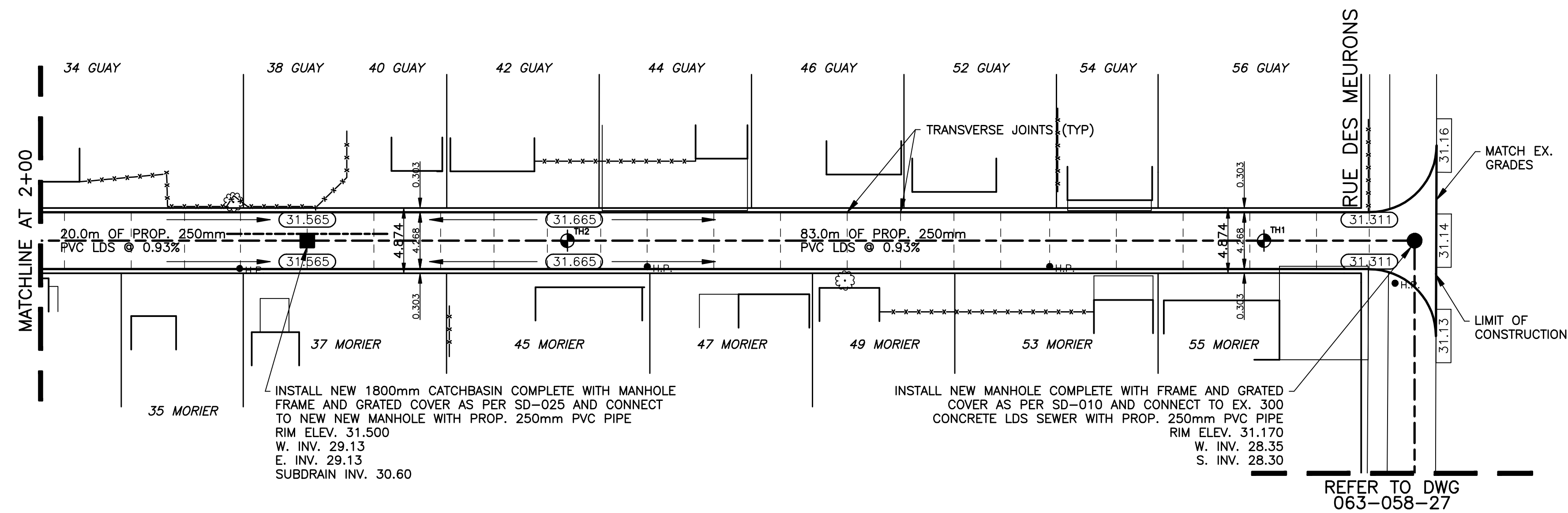
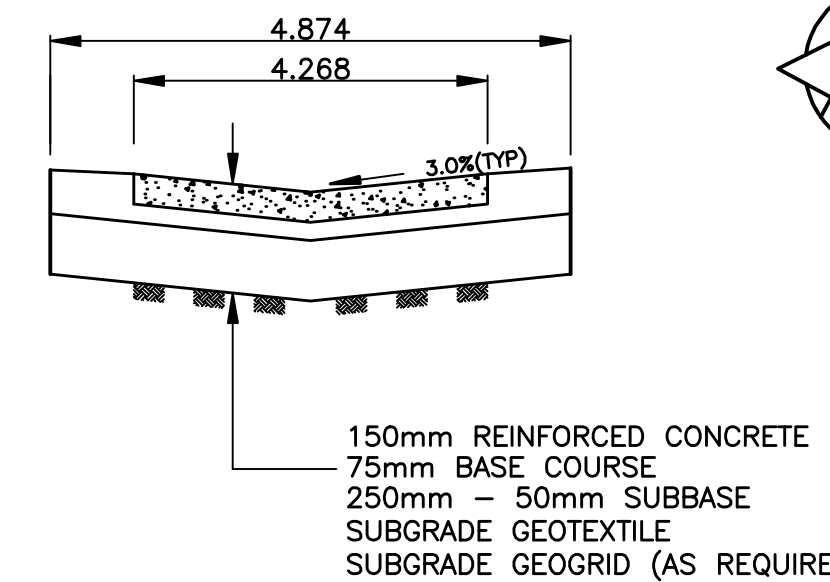
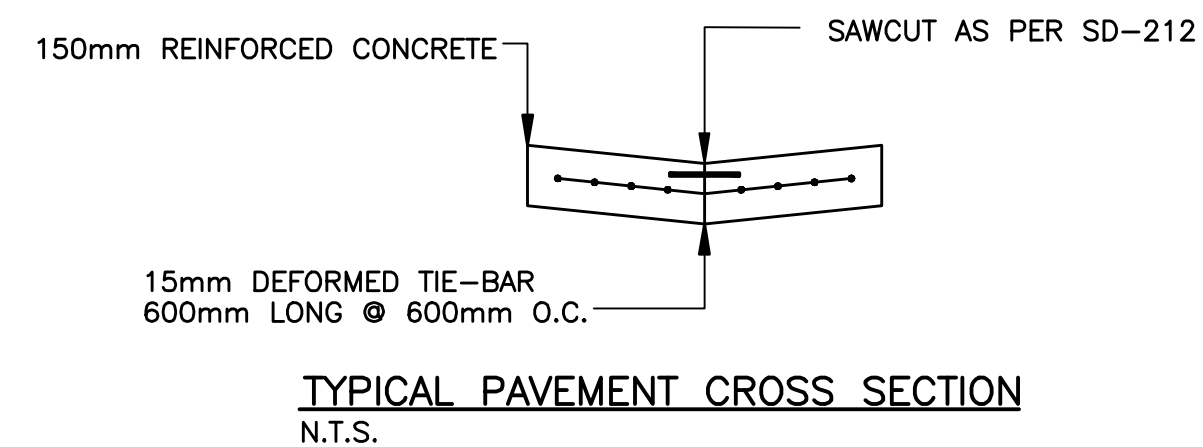


NOTES:

1. ISOLATE EXISTING HYDRO POLES AS DIRECTED BY CONTRACT ADMINISTRATOR
2. RENEW EXISTING APPROACHES AS DIRECTED BY CONTRACT ADMINISTRATOR
3. EXTEND SUBDRAINS AS DIRECTED BY CONTRACT ADMINISTRATOR
4. ADDITIONAL EXCAVATION AND INSTALLATION OF SUBGRADE GEOGRID TO BE DETERMINED BY CONTRACT ADMINISTRATOR

CHAINAGE ALONG CENTER OF ROW

GUAY / MORIER ALLEY



BENCHMARK:
D.B.M. IN GUAY PARK, ST. MARY'S RD. OPPOSITE GUAY AVE.,
6.1m S. OF C.L. OF ASPHALT WALK TO WAR MEMORIAL,
W. OF MAIN ENTRANCE, & 11.7m W. OF W.L. OF ST. MARY'S RD.

METRIC
WHOLE NUMBERS INDICATE MILLIMETRES
DECIMAL NUMBERS INDICATE METRES

INSTALL PVC SUBDRAINS BETWEEN STA. 2+14 AND 2+26

REFER TO DWG 063-058-27

—	WATERMAIN	—	HYDRO	—	CENTER LINE	—	LOCATION APPROVED
—	HYDRANT	—	M.T.S.	—	NORTH GUTTER LINE	—	B.M. ELEV.
—	VALVE	—	CONCRETE	—	SOUTH GUTTER LINE	—	QWB# 34-001
—	LAND DRAINAGE SEWER	—	ASPHALT	—	WATERMAIN	—	231.117
—	WASTE WATER SEWER	—	PROPERTY LINE	—	VALVE	—	
○	MANHOLE	●	SURVEY BAR	—	LAND DRAINAGE SEWER	—	
□	CATCH BASIN	■	CURB STOP	—	WASTE WATER SEWER	—	
△	CURB INLET	▲	C.B. LEAD	—	TESTHOLE	—	
—	TRAFFIC SIGNAL	—	SIDEWALK	—	ASPH./CONC. PAD	—	
—	STEAM HT.	—	SIDEWALK RAMP	—	GARAGE PAD	—	
—	GAS	—	ELEVATIONS	—		—	
—	EXISTING	—	PROPOSED	—	EXISTING	—	
—	LEGEND - PLAN	—	PROPOSED	—	LEGEND - PROFILE	—	
—	EXISTING	—	PROPOSED	—	EXISTING	—	
—	LEGEND - PLAN	—	PROPOSED	—	LEGEND - PROFILE	—	
—	EXISTING	—	PROPOSED	—	EXISTING	—	

NO.	REVISIONS	DATE	BY

GENIVAR
10 PRAIRIE WAY WINNIPEG, MANITOBA R2J 3J8
PH: (204)-477-6880 FAX: (204)-474-2864

DESIGNED BY: R.H. CHECKED BY: S.M.
DRAWN BY: R.H. APPROVED BY: I.McK.
HOR. SCALE: 1:250
VERT. SCALE: 1:10
RELEASED FOR CONSTRUCTION: DATE

ENGINEERS SEAL
PROVINCE OF MANITOBA
REGISTERED PROFESSIONAL ENGINEER
I. G. MCKINNON

THE CITY OF WINNIPEG
PUBLIC WORKS DEPARTMENT

2009 LOCAL IMPROVEMENTS
GUAY / MORIER ALLEY
ALLEY PAVEMENT
FROM MATCHLINE AT STATION 2+00
TO RUE DES MEURONS

CITY DRAWING NO. SHEET 2 OF 2
594-2009