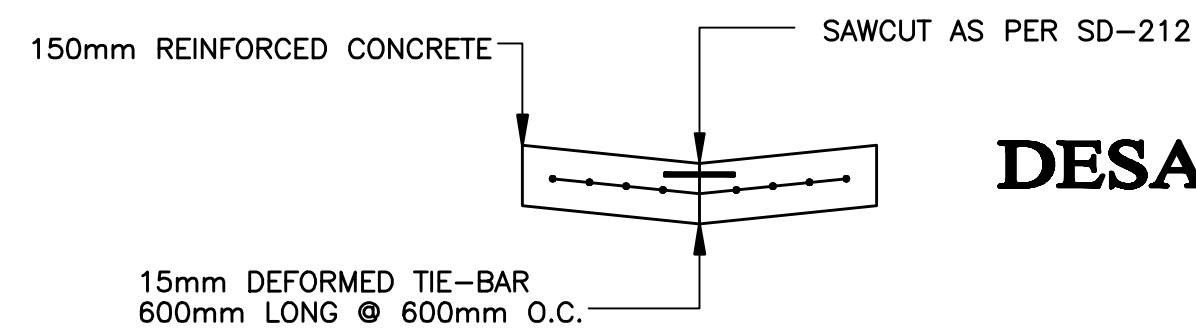
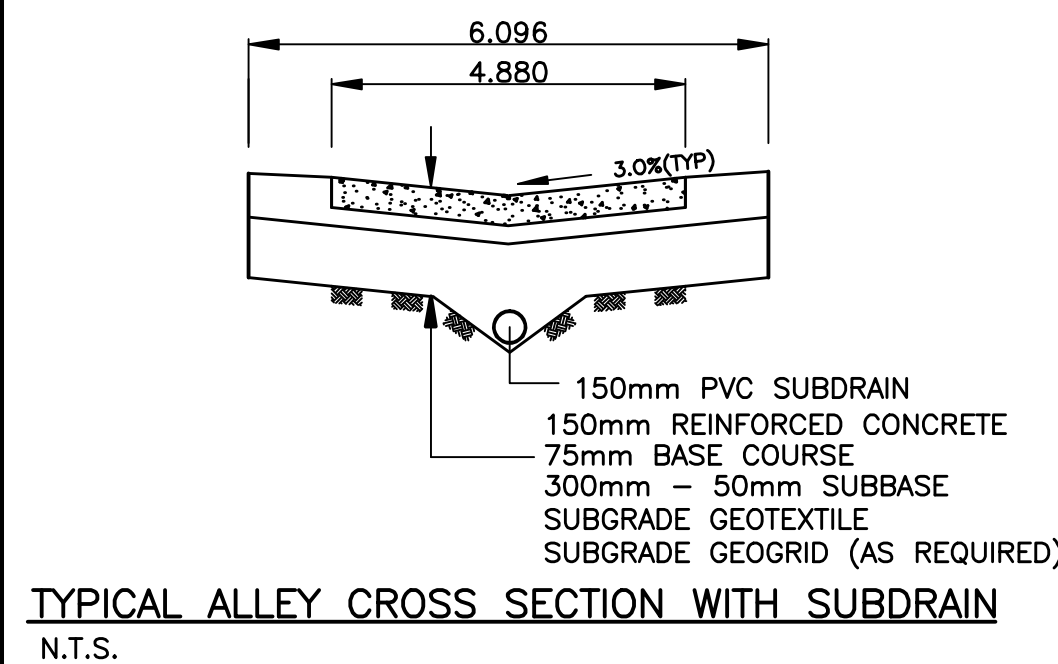


**NOTES:**

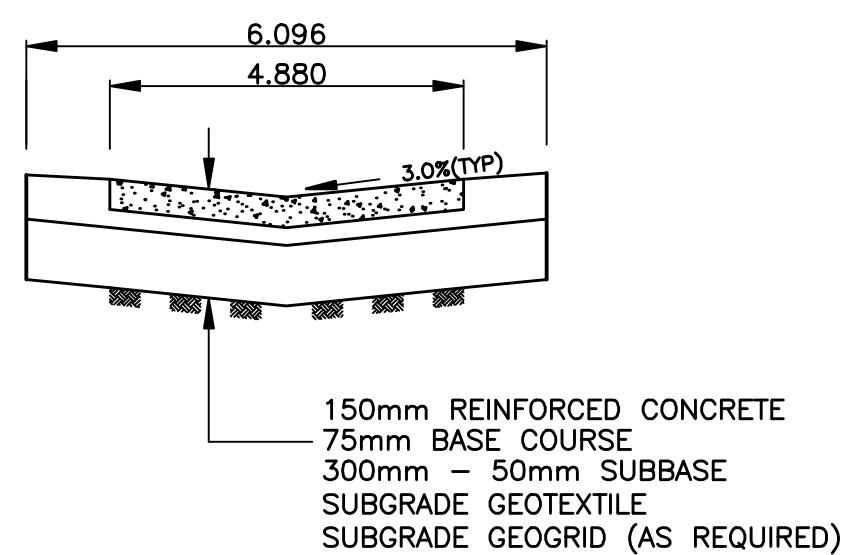
- ISOLATE EXISTING HYDRO POLES AS DIRECTED BY CONTRACT ADMINISTRATOR
- RENEW EXISTING APPROACHES AS DIRECTED BY CONTRACT ADMINISTRATOR
- EXTEND SUBDRAINS AS DIRECTED BY CONTRACT ADMINISTRATOR
- ADDITIONAL EXCAVATION AND INSTALLATION OF SUBGRADE GEOGRID TO BE DETERMINED BY CONTRACT ADMINISTRATOR



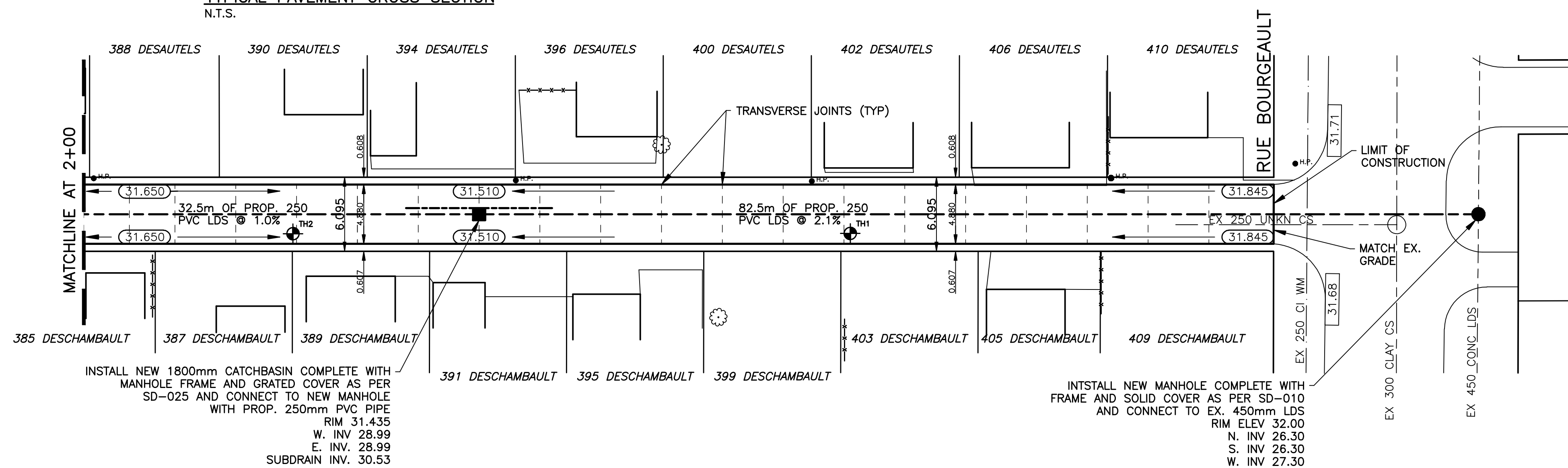
TYPICAL PAVEMENT CROSS SECTION  
N.T.S.



TYPICAL ALLEY CROSS SECTION WITH SUBDRAIN  
N.T.S.



ALLEY CROSS SECTION  
N.T.S.



**BENCHMARK:**  
S.E. COR. OF RUE DES MEURONS & HAMEL AVE., TBLT. IN W. CONC. WALL OF INTERNATIONAL LABORATORIES NO. 49  
RUE DES MEURONS, 0.5 M S. & 1.0 M BELOW BRICK OF N. W. CORN. OF BLDG.

**METRIC**  
WHOLE NUMBERS INDICATE MILLIMETRES  
DECIMAL NUMBERS INDICATE METRES

INSTALL PVC SUBDRAIN BETWEEN STA. 2+26.50 AND 2+38.50

WATERMAIN		HYDRO		CENTER LINE		LOCATION APPROVED	
---	HYDRANT	---	M.T.S.	---	NORTH GUTTER LINE	---	NO.
---	VALVE	---	CONCRETE	---	SOUTH GUTTER LINE	---	REVISIONS
---	LAND DRAINAGE SEWER	---	ASPHALT	---	WATERMAIN	---	DATE
---	WASTE WATER SEWER	---	PROPERTY LINE	---	VALVE	---	BY
○	MANHOLE	●	SURVEY BAR	---	LAND DRAINAGE SEWER	---	DATE
△	CATCH BASIN	⊕	CURB STOP	---	WASTE WATER SEWER	---	DATE
□	CURB INLET	▲	C.B. LEAD	---	JUNCTIONS	---	DATE
---	TRAFFIC SIGNAL	---	SIDEWALK	---	TESTHOLE	---	DATE
---	STEAM HT.	---	SIDEWALK RAMP	---	ASPH./CONC. PAD	---	DATE
---	GAS	---	ELEVATIONS	---	GARAGE PAD	---	DATE
---	EXISTING	---	PROPOSED	---	EXISTING	---	DATE
---	LEGEND - PLAN	---	PROPOSED	---	LEGEND - PROFILE	---	DATE

GENIVAR	
DESIGNED BY	R.H.
CHECKED BY	S.M.
DRAWN BY	R.H.
APPROVED BY	I.McK
HOR. SCALE:	1:250
VERT. SCALE:	1:10
RELEASED FOR CONSTRUCTION	DATE
ORIGINALLY SIGNED BY	DATE

**GENIVAR**  
10 PRAIRIE WAY, WINNIPEG, MANITOBA R2J 5J8  
PH: (204)-477-6880 FAX: (204)-477-2864

**PROVINCE OF MANITOBA REGISTERED PROFESSIONAL ENGINEER**  
I. G. MCKINNON

**THE CITY OF WINNIPEG PUBLIC WORKS DEPARTMENT**  
2009 ALLEY RENEWALS AND LOCAL IMPROVEMENTS  
DESAUTELS / DESCHAMBAULT ALLEY ALLEY PAVEMENT  
FROM MATCHLINE AT STATION 2+00 TO RUE BOURGEOULT

CITY DRAWING NO. SHEET 2 OF 3  
594-2009

