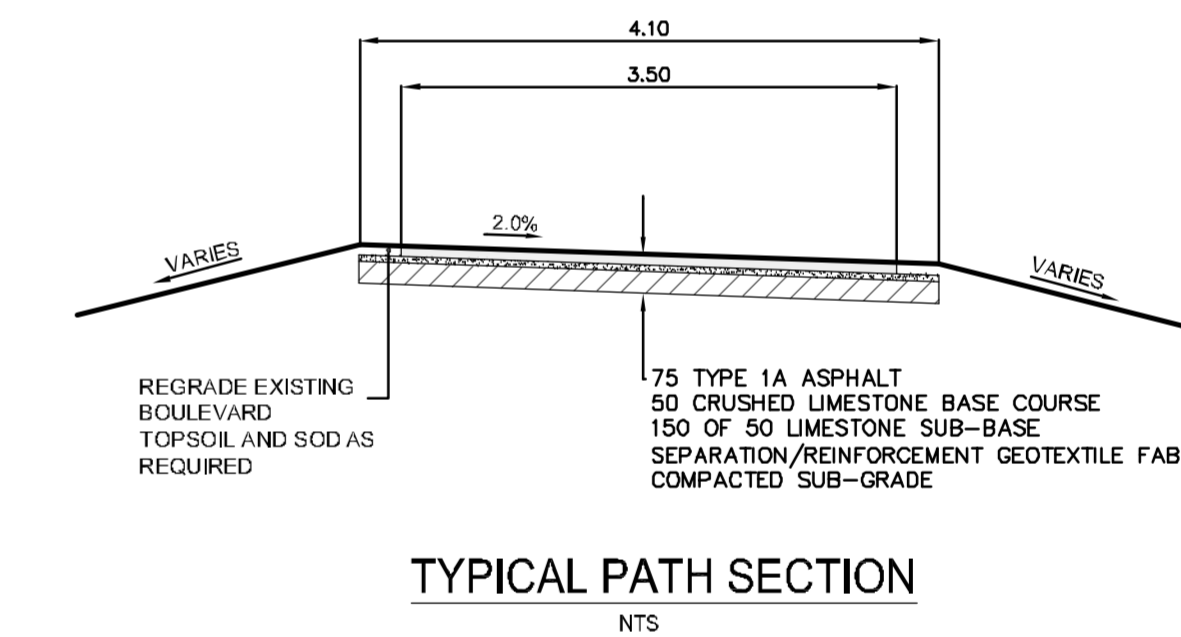
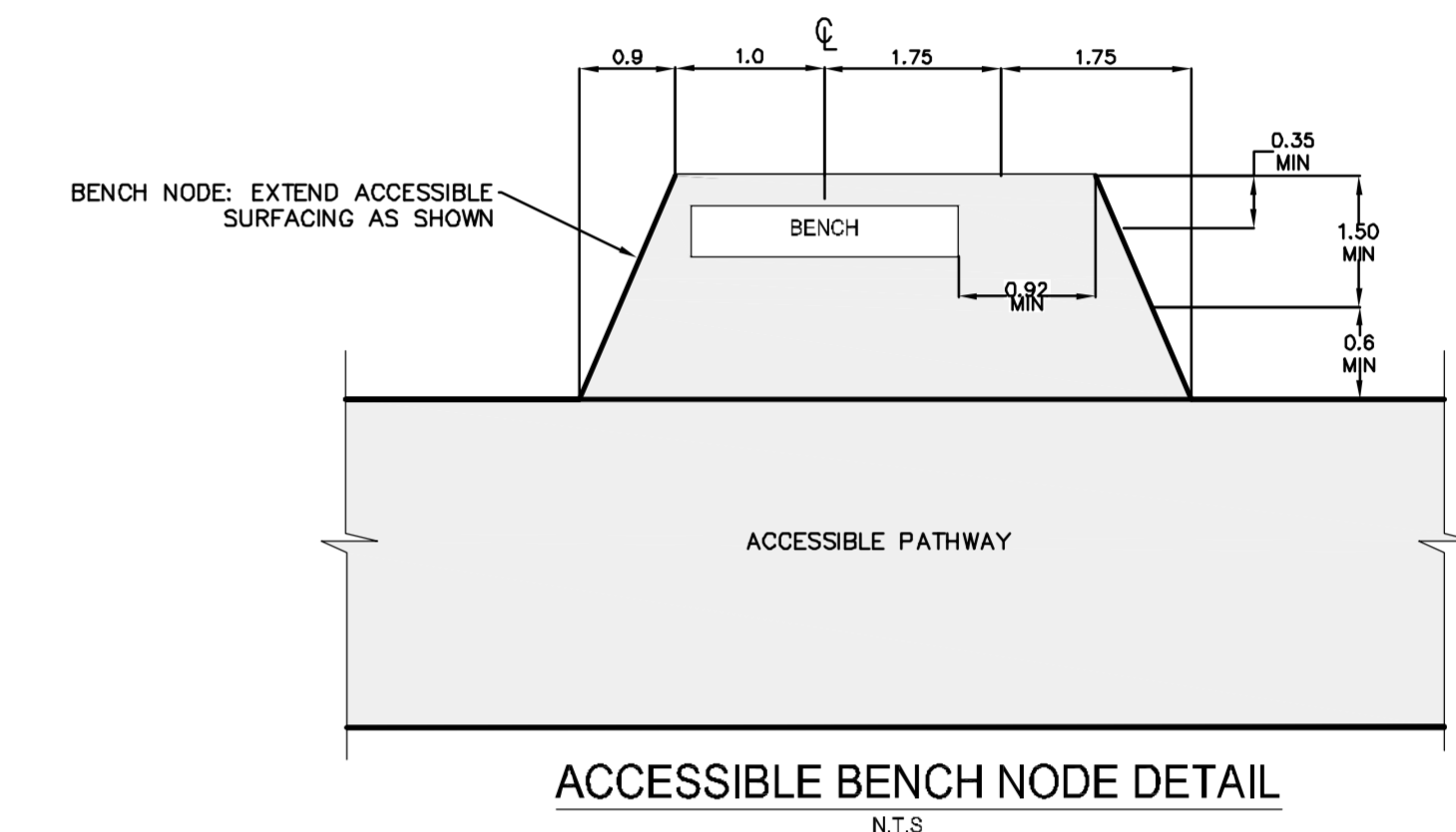
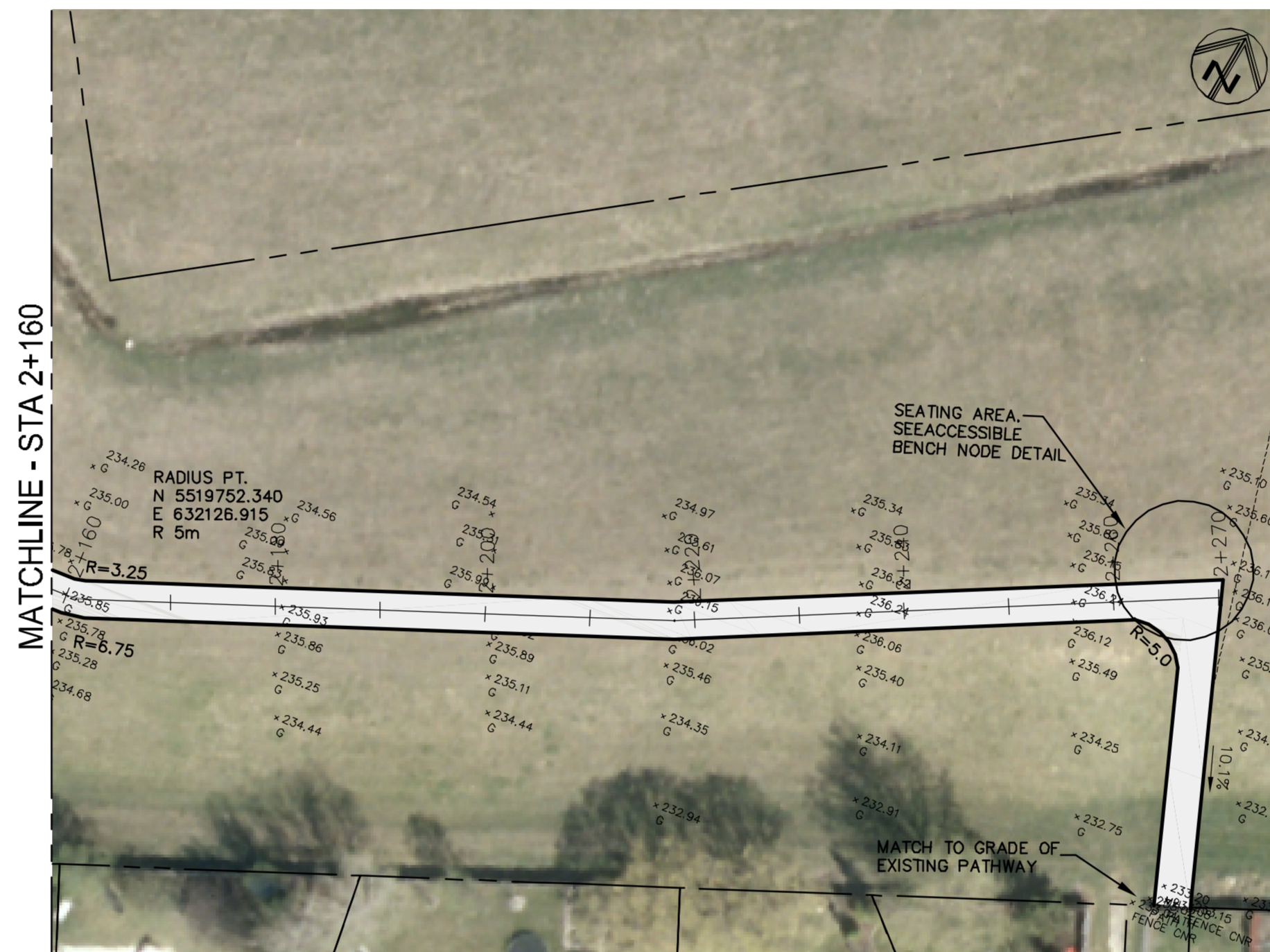
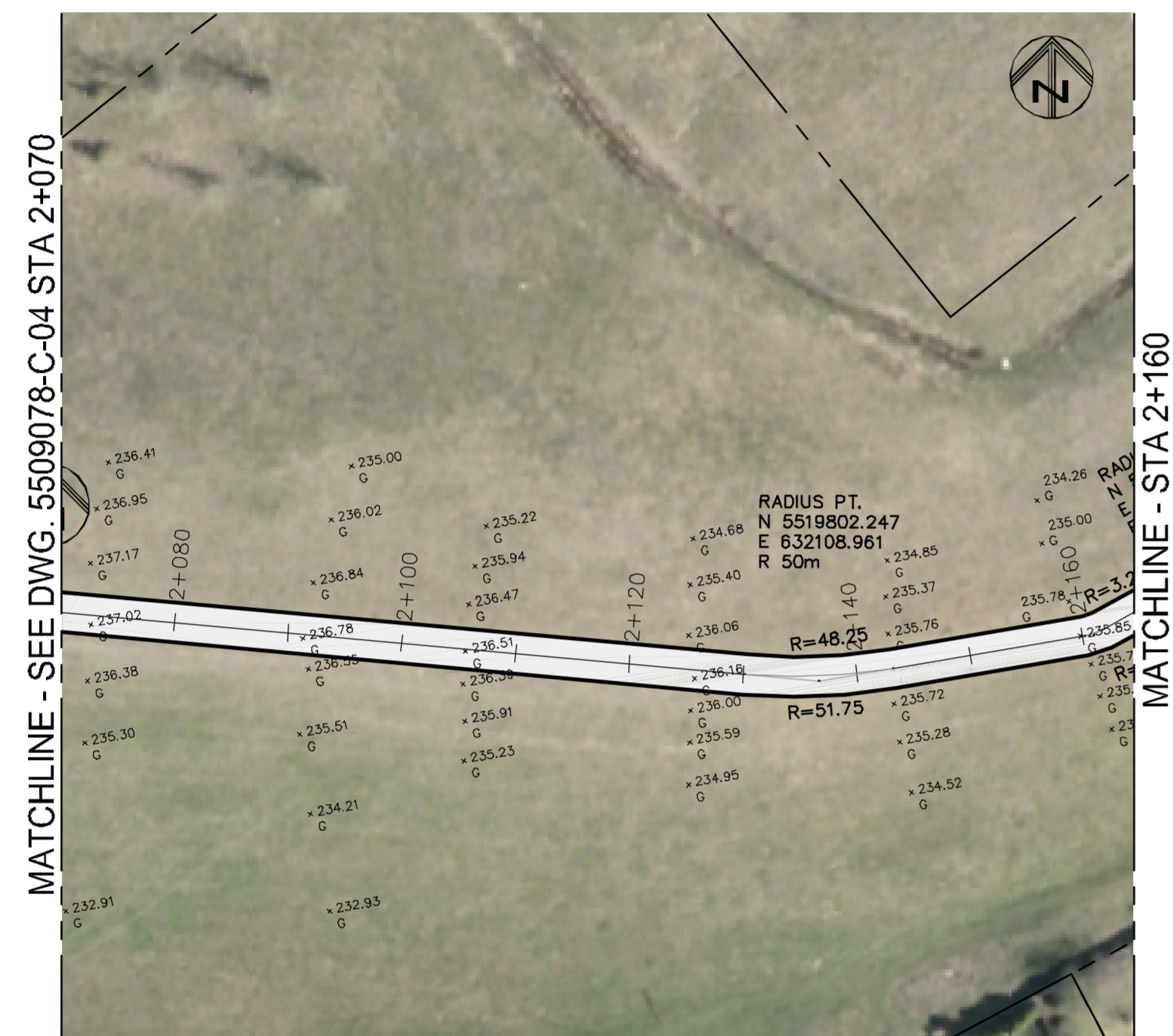


**NOTES:**

1. ALL WORK AND MATERIALS TO BE IN ACCORDANCE WITH THE LATEST REVISIONS OF THE CITY OF WINNIPEG STANDARD CONSTRUCTION SPECIFICATIONS.
2. CONTRACTOR TO VERIFY DEPTH OF UTILITIES PRIOR TO CONSTRUCTION.
3. LOCATION OF UNDERGROUND STRUCTURES AS SHOWN ARE BASED ON THE BEST INFORMATION AVAILABLE. BUT NO GUARANTEE IS GIVEN THAT ALL EXISTING UTILITIES ARE SHOWN OR THAT THE GIVEN LOCATIONS ARE EXACT. CONFIRMATION OF EXISTENCE AND EXACT LOCATION OF ALL SERVICES MUST BE OBTAINED FROM THE INDIVIDUAL UTILITIES BEFORE PROCEEDING WITH CONSTRUCTION.
4. EXCAVATED MATERIAL TO BE USED AS BACKFILL WHERE REQUIRED.
5. CONTRACTOR TO PLACE 50 mm LIMESTONE GRAVEL ON CONSTRUCTION ACCESS ROADS. GRAVEL TO BE REMOVED AND ROAD RESTORED TO PREVIOUS CONDITION UPON COMPLETION OF CONSTRUCTION.
6. ALL SURFACES TO BE MAINTAINED OR RESTORED TO PREVIOUS CONDITION OR BETTER.



NOTE:  
These design documents are prepared solely for the use by the party with whom the design professional has entered into a contract and there are no representations of any kind made by the design professional to any party with whom the design professional has not entered into a contract.

EXISTING	LEGEND-PLAN	PROPOSED	EXISTING	LEGEND-PLAN	PROPOSED	EXISTING	LEGEND-PROFILE	PROPOSED
---	PROPERTY LINE		○	MANHOLE		---	EXISTING GROUND	
---	WALKWAY ELEVATION	32.50	□	CATCH BASIN		---	PROPOSED CENTERLINE	
---	WATER VALVE		HP	HYDRO POLE				
---	SWALE		HP	HYDRO POLE WITH LIGHT				
---	EXISTING DITCH FLOW							
---	MTS CABLE							
---	SEWER							
---	CONC. WWS							
---	WATER							
---	CMP CULVERT							

**LOCATIONS APPROVED**  
UNDERGROUND STRUCTURES  
SIGNED BY: \_\_\_\_\_ DATE: \_\_\_\_\_  
SUPV U/G STRUCTURES

LOCATION OF UNDERGROUND STRUCTURES AS SHOWN ARE BASED ON THE BEST INFORMATION AVAILABLE. BUT NO GUARANTEE IS GIVEN THAT ALL EXISTING UTILITIES ARE SHOWN OR THAT THE GIVEN LOCATIONS ARE EXACT. CONFIRMATION OF EXISTENCE AND EXACT LOCATION OF ALL SERVICES MUST BE OBTAINED FROM THE INDIVIDUAL UTILITIES BEFORE PROCEEDING.

NO.	REVISIONS	DATE	BY
1	ISSUED FOR REVIEW	20.08.09	RMB

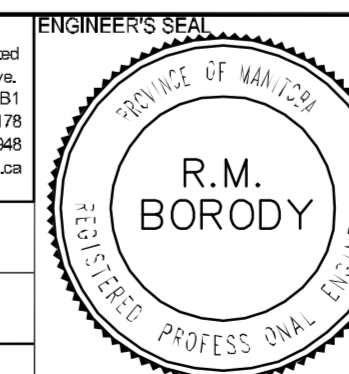
G.B.M. ELEV. 232.335

CITY OF WINNIPEG MAPPING AND SURVEYS CAP IN CONCRETE PILE 1/8" CORNER OF BISHOP GRANDIN BLVD AND WAVERLEY AVE.



DESIGNED BY MR  
CHECKED BY -  
DRAWN BY MR  
APPROVED BY RMB  
HOR SCALE 1:500  
RELEASED FOR CONSTRUCTION -  
VERTICAL 1:50  
DATE: 18.08.09  
DATE: -

MMM Group Limited  
Suite 111-B3 Lombard Ave.  
Winnipeg, MB R2B 3S1  
T: 204.943.3138  
F: 204.943.4948  
www.mmm.ca



CONSULTANT ACAD DWG. NO.  
5509078-C-005



**CITY OF WINNIPEG**  
PUBLIC WORKS DEPARTMENT  
ENGINEERING DIVISION

2009 ACTIVE TRANSPORTATION PROGRAM  
BISHOP GRANDIN GREENWAY  
PEMBINA HIGHWAY TO WAVERLEY STREET  
SOUTH SIDE PATHWAY EXTENSION  
STA. 1+000 TO 2+270

**METRIC**  
WHOLE NUMBERS INDICATE MILLIMETERS  
DECIMALIZED NUMBERS INDICATE METERS

