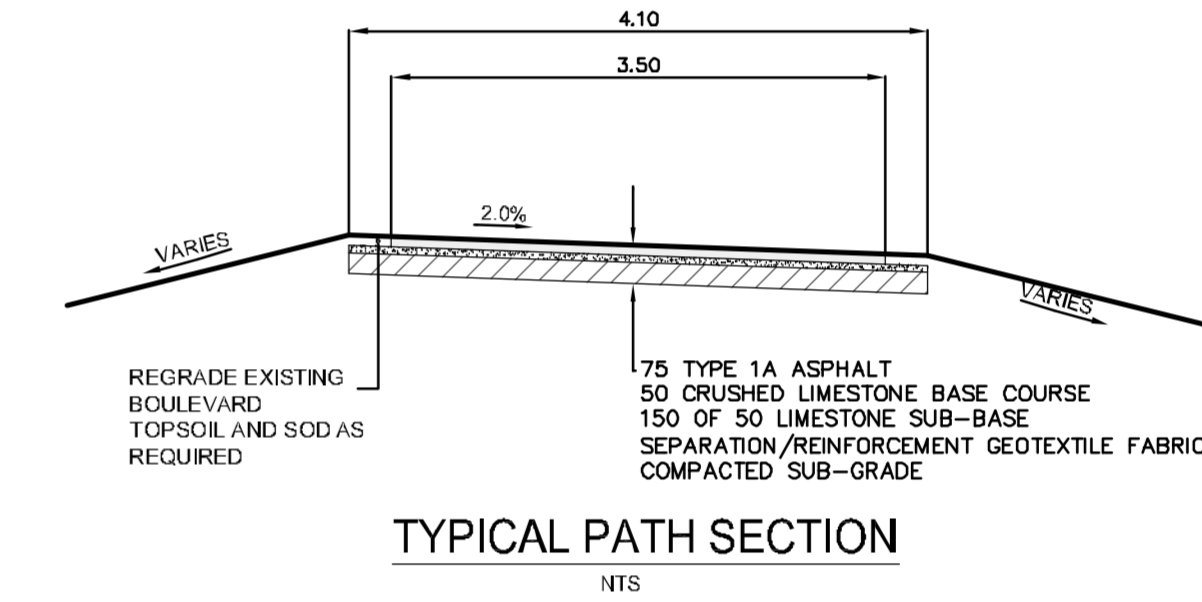


NOTES:

1. ALL WORK AND MATERIALS TO BE IN ACCORDANCE WITH THE LATEST REVISIONS OF THE CITY OF WINNIPEG STANDARD CONSTRUCTION SPECIFICATIONS.
2. CONTRACTOR TO VERIFY DEPTH OF UTILITIES PRIOR TO CONSTRUCTION.
3. LOCATION OF UNDERGROUND STRUCTURES AS SHOWN ARE BASED ON THE BEST INFORMATION AVAILABLE, BUT NO GUARANTEE IS GIVEN THAT ALL EXISTING UTILITIES ARE SHOWN OR THAT THE GIVEN LOCATIONS ARE EXACT. CONFIRMATION OF EXISTENCE AND EXACT LOCATION OF ALL SERVICES MUST BE OBTAINED FROM THE INDIVIDUAL UTILITIES BEFORE PROCEEDING WITH CONSTRUCTION.
4. EXCAVATED MATERIAL TO BE USED AS BACKFILL WHERE REQUIRED.
5. CONTRACTOR TO PLACE 50 mm LIMESTONE GRAVEL ON CONSTRUCTION ACCESS ROADS. GRAVEL TO BE REMOVED AND ROAD RESTORED TO PREVIOUS CONDITION UPON COMPLETION OF CONSTRUCTION.
6. ALL SURFACES TO BE MAINTAINED OR RESTORED TO PREVIOUS CONDITION OR BETTER.



MATCHLINE - SEE DWG. 5509078-C-02 STA 1+230

Aug 28, 2019 - 1:05 PM
 C:\Users\mjohnson\Documents\2019\2019\Projects\2019\2019\Bishop Grandin\DWG\5509078-C-02.dwg

NOTE:
 These design documents are prepared solely for the use by the party with whom the design professional has entered into a contract and there are no representations of any kind made by the design professional to any party with whom the design professional has not entered into a contract.

EXISTING	LEGEND-PLAN	PROPOSED	EXISTING	LEGEND-PLAN	PROPOSED	EXISTING	LEGEND-PROFILE	PROPOSED
---	PROPERTY LINE	---	---	EXISTING GROUND	---	---	EXISTING GROUND	---
---	WALKWAY ELEVATION	(32.50)	○	MANHOLE	---	---	PROPOSED CENTERLINE	---
---	WATER VALVE	⊠	□	CATCH BASIN	---	---	---	---
---	SWALE	⬤	⊠	HYDRO POLE	---	---	---	---
---	EXISTING DITCH FLOW	⬤→	⊠→	HYDRO POLE WITH LIGHT	---	---	---	---
---	MTS CABLE	---	---	---	---	---	---	---
---	SEWER	---	---	---	---	---	---	---
---	CONC. WWS	---	---	---	---	---	---	---
---	WATER	---	---	---	---	---	---	---
---	CMP CULVERT	---	---	---	---	---	---	---

LOCATIONS APPROVED

UNDEGROUND STRUCTURES

SUPPLY	U/G	STRUCTURES	DATE

LOCATION OF UNDERGROUND STRUCTURES AS SHOWN ARE BASED ON THE BEST INFORMATION AVAILABLE BUT NO GUARANTEE IS GIVEN THAT ALL EXISTING UTILITIES ARE SHOWN OR THAT THE GIVEN LOCATIONS ARE EXACT. CONFIRMATION OF EXISTENCE AND EXACT LOCATION OF ALL SERVICES MUST BE OBTAINED FROM THE INDIVIDUAL UTILITIES BEFORE PROCEEDING.

NO.	REVISIONS	DATE	BY
4	-	-	-
3	-	-	-
2	-	-	-
1	ISSUED FOR REVIEW	20.08.09	RMB

G.B.M. ELEV. 232.336
 CITY OF WINNIPEG MAPPING AND SURVEYS CAP IN CONCRETE PILE, 5/8" CORNER OF BISHOP GRANDIN BLVD AND WAVERLEY AVE.

MMM GROUP

MMM Group Limited
 Suite 111 - 93 Lombard Ave.
 Winnipeg, MB R3B 3B1
 t. 204.943.3179
 f. 204.943.4968
 www.mmm.ca

DESIGNED BY MR
 CHECKED BY -
 DRAWN BY MR
 APPROVED BY RMB
 HOR. SCALE 1:500
 VERTICAL 1:50
 RELEASED FOR CONSTRUCTION
 DATE 18.08.09

ENGINEER'S SEAL
 R.M. BORODY
 PROFESSIONAL ENGINEER

CONSULTANT ACAD DWG. NO. 5509078-C-001

CITY OF WINNIPEG PUBLIC WORKS DEPARTMENT ENGINEERING DIVISION

2009 ACTIVE TRANSPORTATION PROGRAM
 BISHOP GRANDIN GREENWAY
 PEMBINA HIGHWAY TO WAVERLEY STREET

SOUTH SIDE PATHWAY EXTENSION
 STA. 1+000 TO 1+230

SHEET 1 OF 5



METRIC
 WHOLE NUMBERS INDICATE MILLIMETERS
 DECIMALIZED NUMBERS INDICATE METERS