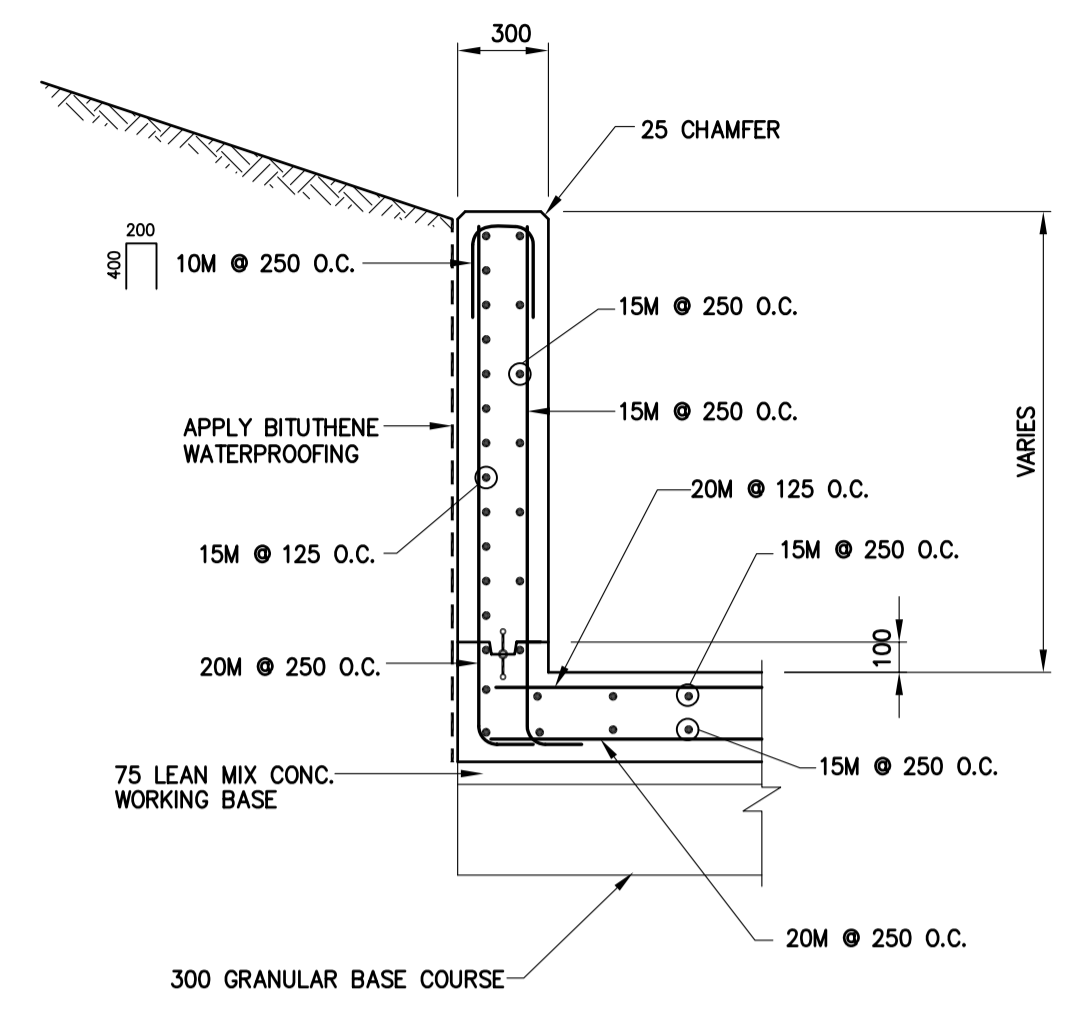
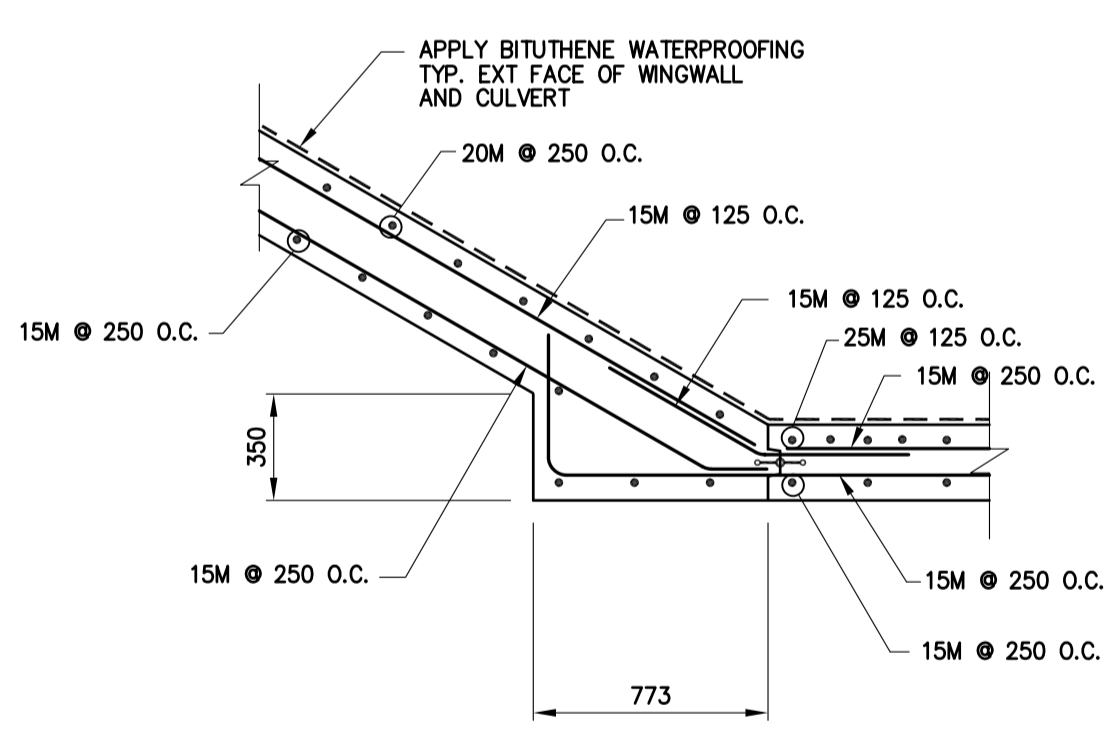


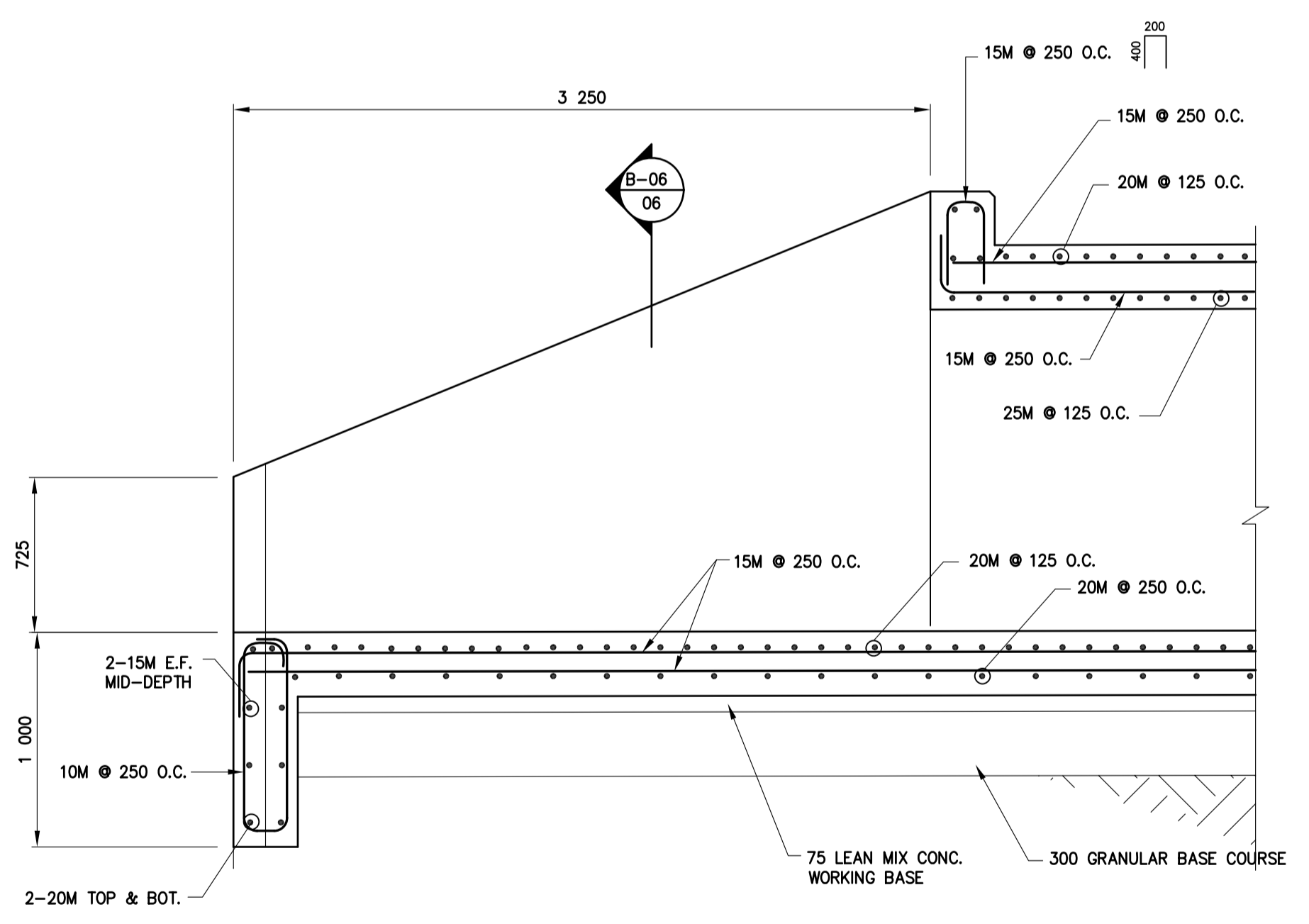
SECTION A-06
1:25



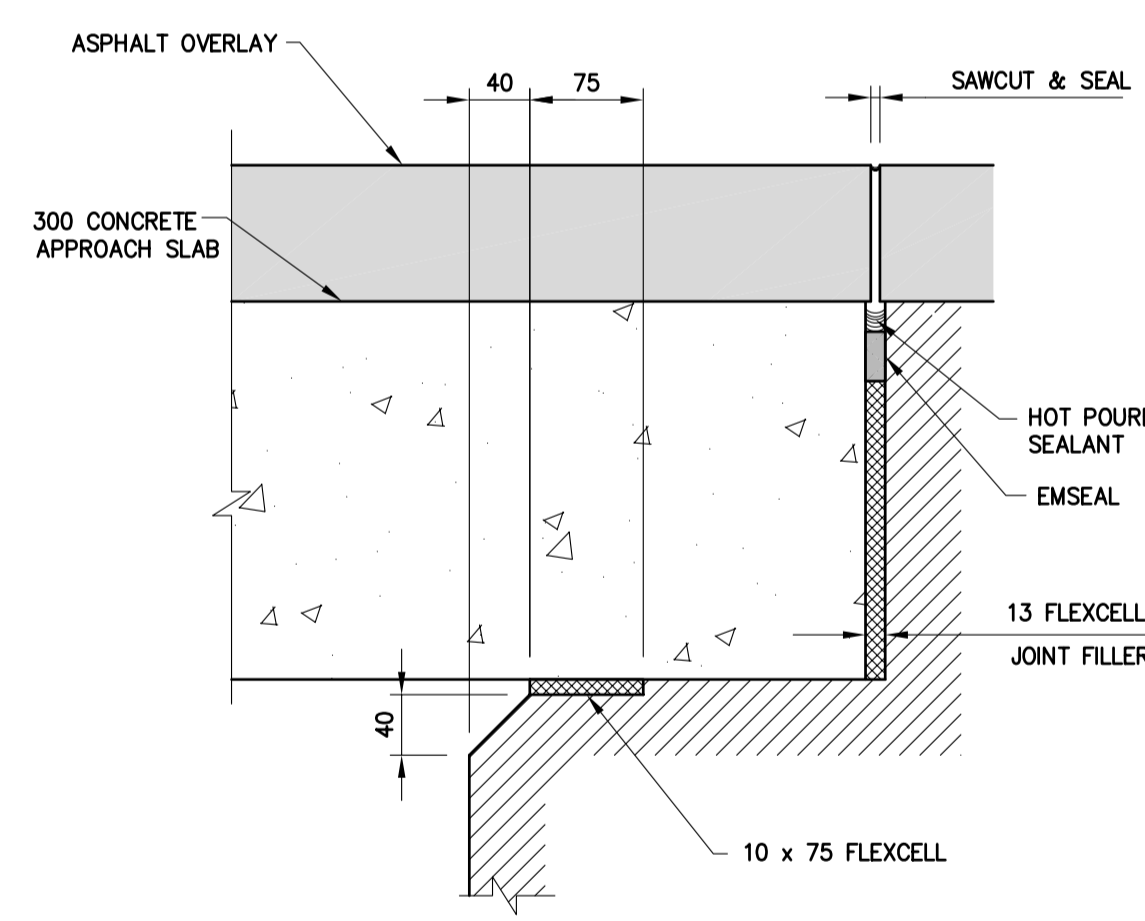
SECTION B-06
1:25



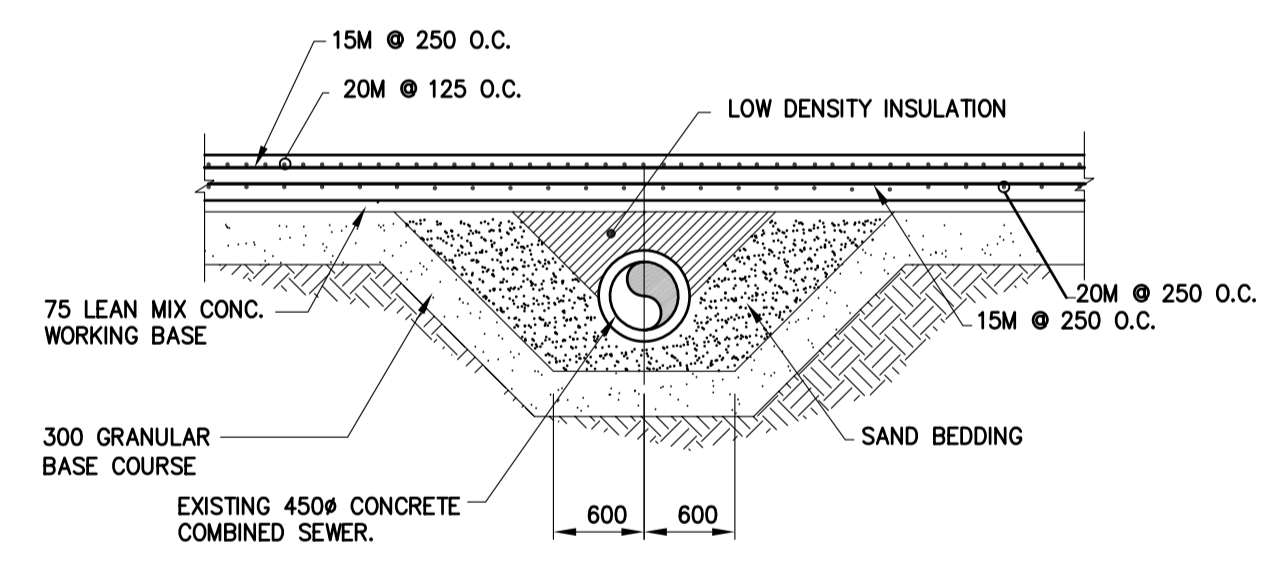
SECTION C-06
1:25



DETAIL 1-06
1:25



DETAIL 2-06
1:5



DETAIL 3-06
1:50

CLEAR COVER TO REINFORCING STEEL
 PERMANENTLY EXPOSED TO EARTH = 75mm
 TOP OF ROOF AND APPROACH SLAB = 60mm
 ALL OTHER UNLESS NOTED OTHERWISE = 50mm

MINIMUM LAP LENGTH	
	REBAR
10M	520
15M	740
20M	900
25M	1 450

A = DETAIL/SECTION No.
 B = DRAWING WHERE SHOWN
 C = DRAWING WHERE TAKEN

METRIC
 WHOLE NUMBERS INDICATE MILLIMETRES
 DECIMALIZED NUMBERS INDICATE METRES

LOCATIONS APPROVED		G.B.M. ELEV.	
SUPV	U/G STRUCTURES	DATE	

DESIGNED BY		CHECKED BY	
DRAWN BY	HOR. SCALE	APPROVED BY	RELEASED FOR CONSTRUCTION
MLW	AS SHOWN	GK	ORIGINAL SIGNED BY B.A. NEIRNCK
RCS	AS SHOWN	JPL	

ENGINEER'S SEAL
 PROVINCE OF MANITOBA
 J. P. LUKASHENKO
 REGISTERED PROFESSIONAL ENGINEER
 BID OPPORTUNITY
 579-2009

CITY OF WINNIPEG
 PUBLIC WORKS DEPARTMENT
 TRANSPORTATION ENGINEERING DIVISION
 ALBANY STREET
 CROSSING OF TRURO CREEK
 REINFORCING DETAILS

CONSULTANT DRAWING NUMBER: 42088-S04
 SHEET 6 OF 6
 CITY DRAWING NUMBER: C340-09-06

APEGM
 Certificate of Authorization
 MMM Group Limited
 No. 4531 Date: 09.07.31

Aug 04, 2009 - 12:03pm
 P:\42000 - 42088\42088 - Albany Street Crossing of Truro Creek\Drawings\42088 - albany.s04 - tab.layout1
 reinforcing details 090731.dwg

NOTE:
 These design documents are prepared solely for the use by the party with whom the design professional has entered into a contract and there are no representations of any kind made by the design professional to any party with whom the design professional has not entered into a contract.