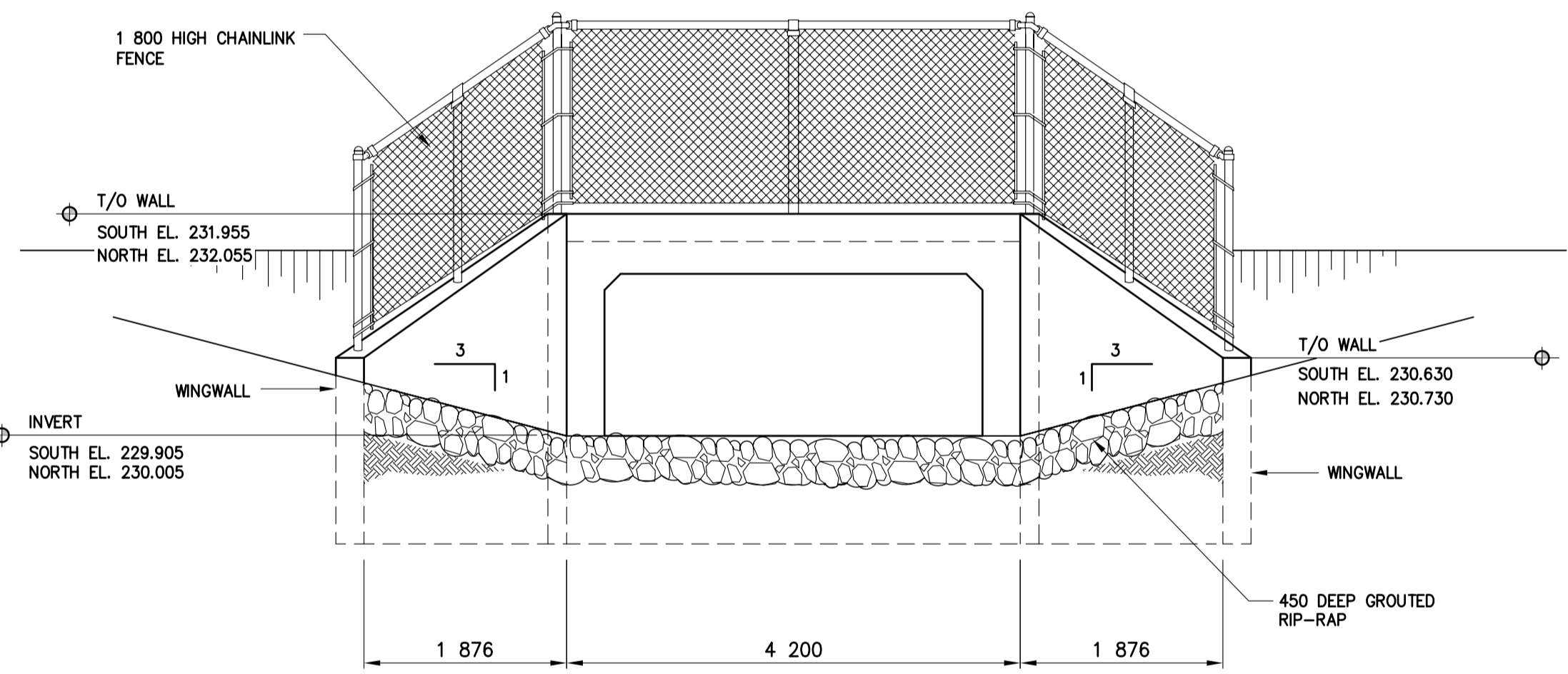
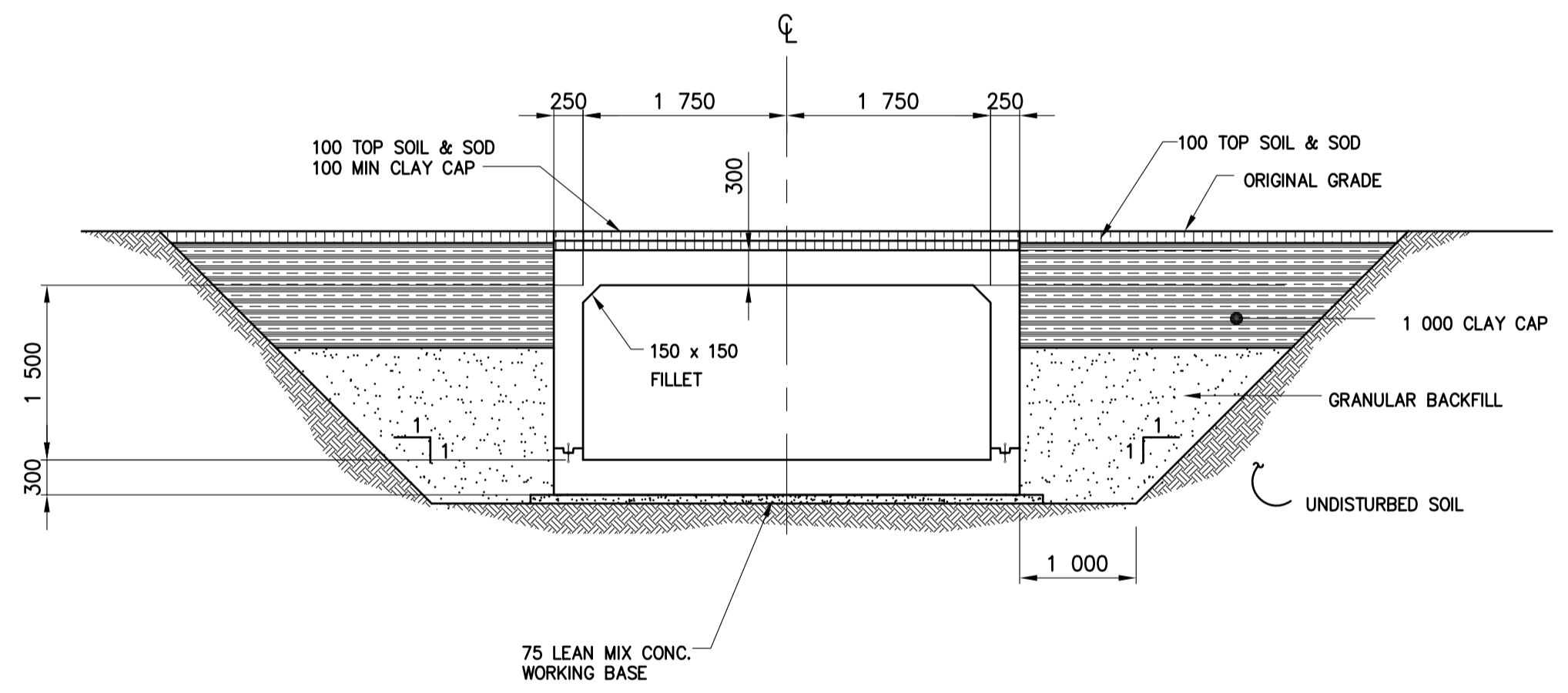


GENERAL ARRANGEMENT
1:150

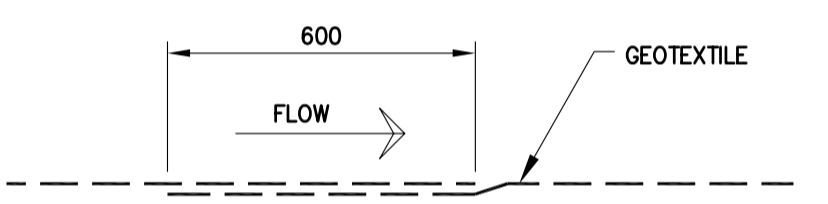
NOTE: REFER TO DWG. No. C340-09-02 FOR PROPOSED ROADWORK



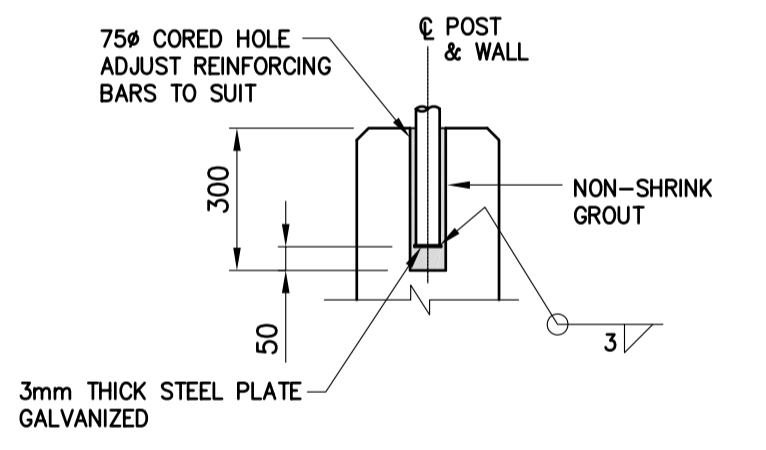
SECTION A-04
1:50



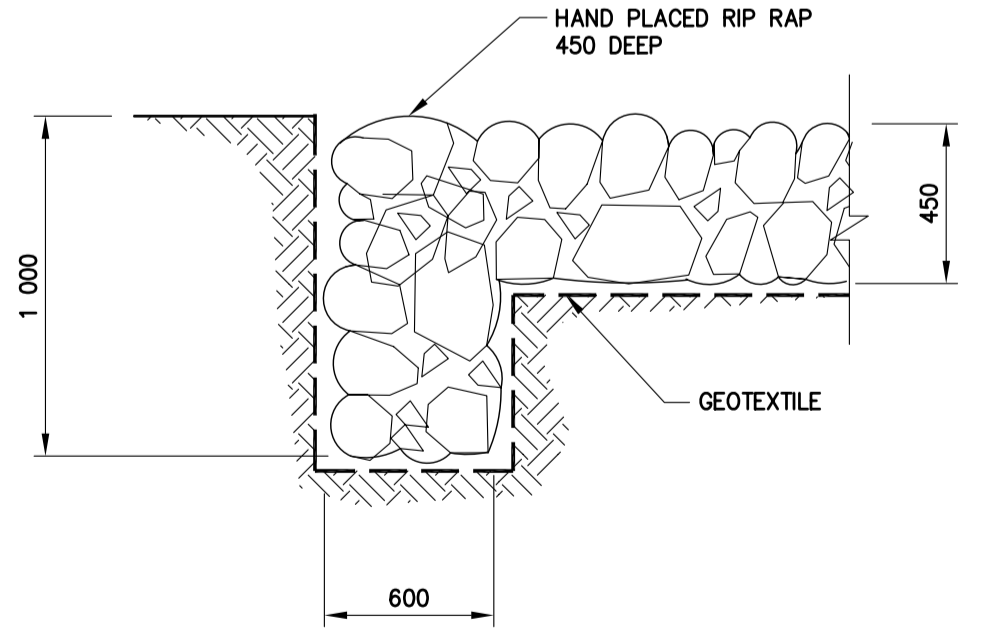
SECTION B-04
1:50



GEOTEXTILE OVERLAPPING DETAIL
N.T.S.



TYPICAL POST ANCHORAGE DETAIL
N.T.S.



SECTION C-04
1:20

APEGM
Certificate of Authorization
MMM Group Limited
No. 4531 Date: 09.07.31



LOCATIONS APPROVED		G.B.M. ELEV.	
SUPV	U/G STRUCTURES	DATE	

DESIGNED BY		CHECKED BY	
MLW	GK		

CITY OF WINNIPEG
PUBLIC WORKS DEPARTMENT
Winnipeg

ALBANY STREET
CROSSING OF TRURO CREEK
GENERAL ARRANGEMENT

CONSULTANT DRAWING NUMBER	42088-S02
SHEET	4 OF 6
CITY DRAWING NUMBER	C340-09-04

A = DETAIL/SECTION No.
B = DRAWING WHERE SHOWN
C = DRAWING WHERE TAKEN

METRIC
WHOLE NUMBERS INDICATE MILLIMETRES
DECIMALIZED NUMBERS INDICATE METRES

Aug 04, 2009 - 12:04pm
 P:\42088 - 42088\Drawings\42088-albany st1 site plan S02.dwg - lab-502

NOTE: These design documents are prepared solely for the use by the party with whom the design professional has entered into a contract and there are no representations of any kind made by the design professional to any party with whom the design professional has not entered into a contract.