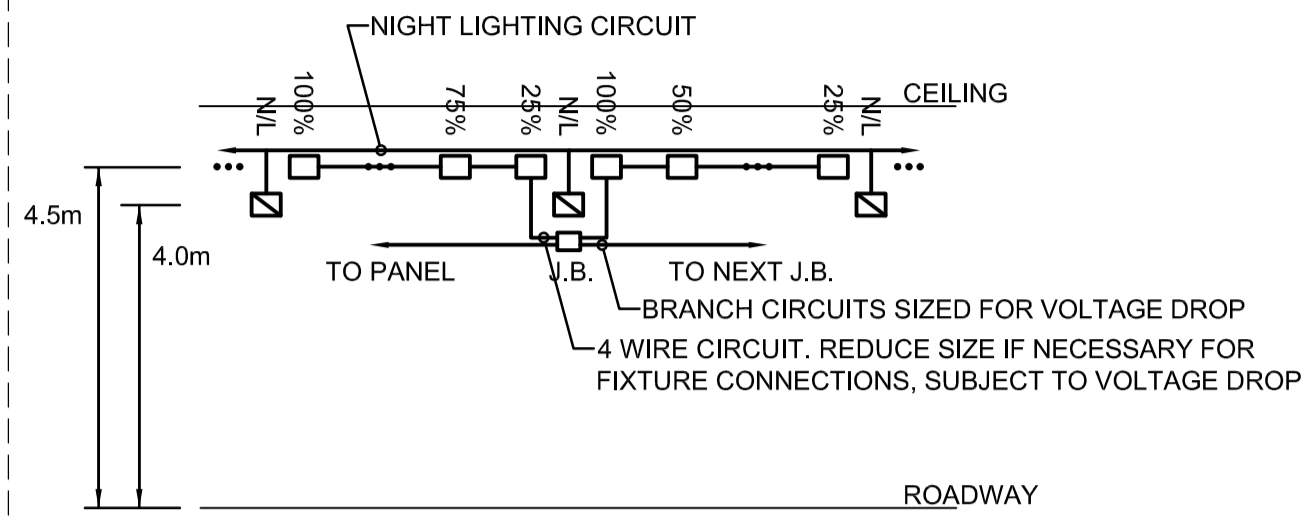


TYPICAL TUNNEL SECTION
SCALE 1:100

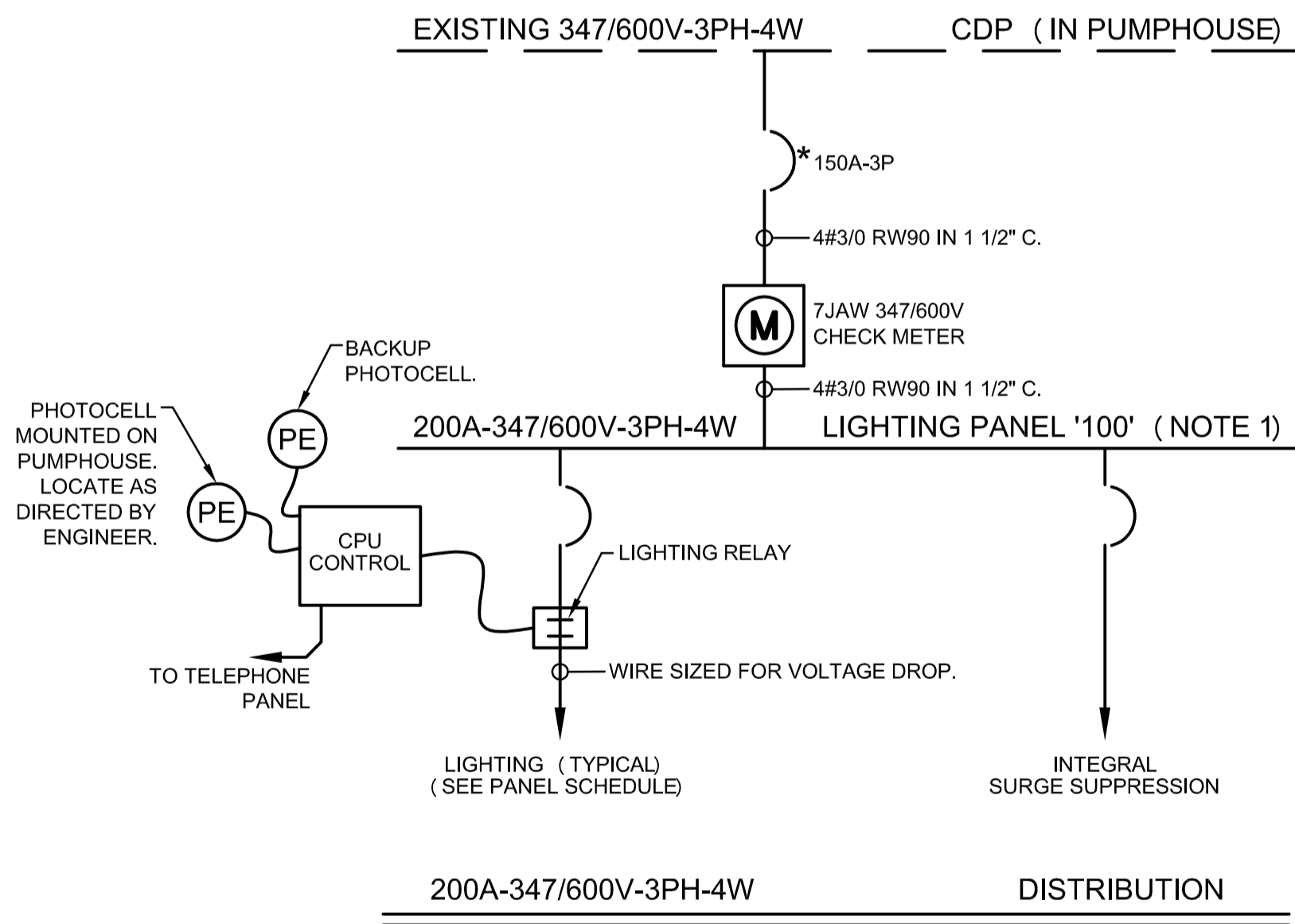


CONCEPTUAL ELEVATION VIEW, TYPICAL TUNNEL 2 SEGMENTS
SCALE N.T.S.

NOTE: THIS VIEW IS FOR PROPOSED CONCEPT ONLY. E.C. TO CONFIRM PIPE LAYOUT PRIOR TO ROUGH-IN. PROVIDE ANTICIPATED PIPE LAYOUT FOR ENGINEER'S APPROVAL PRIOR TO INSTALLATION. MINIMIZE PIPE CROSSOVER, NUMBER OF PIPES, ETC. TO PROVIDE A NEAT AND TIDY INSTALLATION.

SPECIFIC ELECTRICAL NOTES

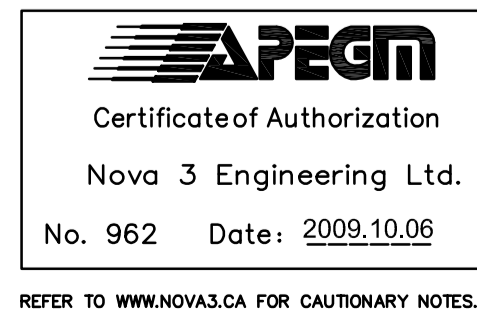
- 1 SEGMENTS 1-9b:
WEST SIDE: ANGLE FIXTURES DOWNWARD 45°.
EAST SIDE: ANGLE FIXTURES DOWNWARD 50°.
- SEGMENTS 10a-17:
WEST SIDE: ANGLE FIXTURES DOWNWARD 50°.
EAST SIDE: ANGLE FIXTURES DOWNWARD 45°.



N.T.S.
* CIRCUIT BREAKER TO MATCH EXISTING.
NOTE 1: PANEL '100' IS TO BE ONE COMPLETE UNIT, INCLUDING CIRCUIT BREAKER (POWER) SECTION, RELAY (CONTROL) SECTION, CPU, AND SURGE SUPPRESSION.

PANEL '100'		VOLTAGE 347/600V-3PH-4W		
MOUNTING SURFACE		MAIN BUS 200A		
LOCATION PUMP HOUSE		REMARKS -		
DESCRIPTION	BKR	CIRCUIT	BKR	DESCRIPTION
NIGHT LIGHTING	20	1	17	NIGHT LIGHTING
25% LIGHTING	20	2	18	25% LIGHTING
50% LIGHTING	20	3	19	50% LIGHTING
75% LIGHTING	20	4	20	75% LIGHTING
100% LIGHTING	20	5	21	100% LIGHTING
25% LIGHTING	20	6	22	25% LIGHTING
50% LIGHTING	20	7	23	50% LIGHTING
75% LIGHTING	20	8	24	75% LIGHTING
100% LIGHTING	20	9	25	100% LIGHTING
25% LIGHTING	20	10	26	25% LIGHTING
50% LIGHTING	20	11	27	50% LIGHTING
75% LIGHTING	20	12	28	75% LIGHTING
100% LIGHTING	20	13	29	100% LIGHTING
EXTERIOR FIXTURES	20	14	30	SPARE
SPARE	20	15	31	SPARE
SPARE	20	16	32	SPARE

\\terabyte\jobs\209\111\1\dwg\04 - 209111E1.dwg



LOCATION UNDERGROUND	APPROVED STRUCTURES	B.M. ELEV.	DESIGNED BY DZ	 NOVA 3 ENGINEERING LTD. CONSULTING ENGINEERS JN: 29-111 TEL: (204) 943-6142 FAX: (204) 942-1276 201-120 FORT STREET WINNIPEG, MANITOBA	 ENGINEER'S SEAL ORIGINAL STAMPED BY V. J. THIELMANN 2009.10.06 REGISTERED ENGINEER	 THE CITY OF WINNIPEG TRANSIT DEPARTMENT SOUTHWEST RAPID TRANSIT CORRIDOR - STAGE 1 TRANSITWAY TUNNEL AT CN RIVERS SUBDIVISION MILEAGE 1.38 & ASSOCIATED WORKS	CITY DRAWING NUMBER U237-09-57		
SUPV. U/G STRUCTURES COMMITTEE	DATE	DRAWN BY DF	SHEET 57 OF 73						
NOTE: LOCATION OF UNDERGROUND STRUCTURES AS SHOWN ARE BASED ON THE BEST INFORMATION AVAILABLE. BUT NO GUARANTEE IS GIVEN THAT ALL EXISTING UTILITIES ARE SHOWN OR THAT THE GIVEN LOCATIONS ARE EXACT. CONFIRMATION OF EXISTENCE AND EXACT LOCATION OF ALL SERVICES MUST BE OBTAINED FROM THE INDIVIDUAL UTILITIES BEFORE PROCEEDING WITH CONSTRUCTION.	0 ISSUED FOR TENDER	2009.10.06	APPROVED BY VJT				CONSULTANT PROJECT NO. 088813	ELECTRICAL DETAILS	CONSULTANT DRAWING NUMBER C4-S1201-T
			HOR. SCALE AS NOTED				RELEASED FOR CONSTRUCTION		
			VERTICAL AS NOTED	DATE 2009.10.06					