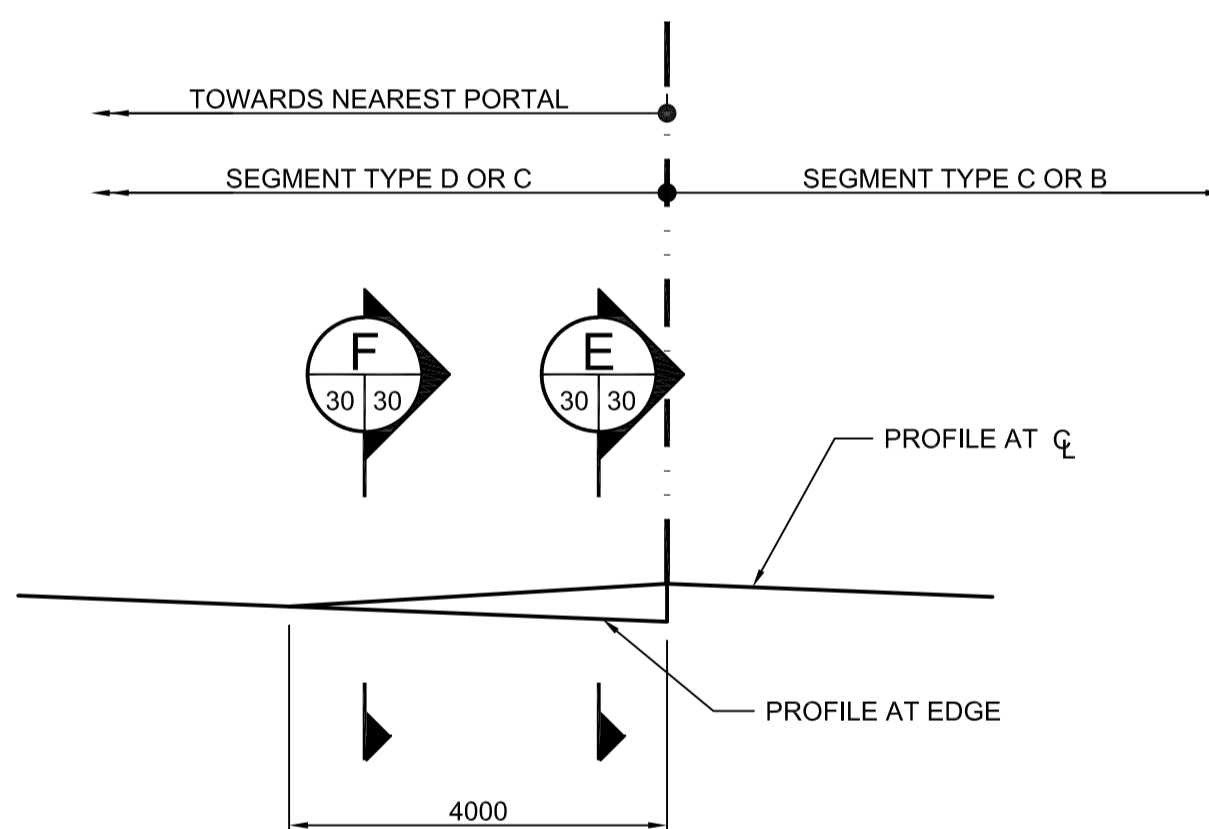
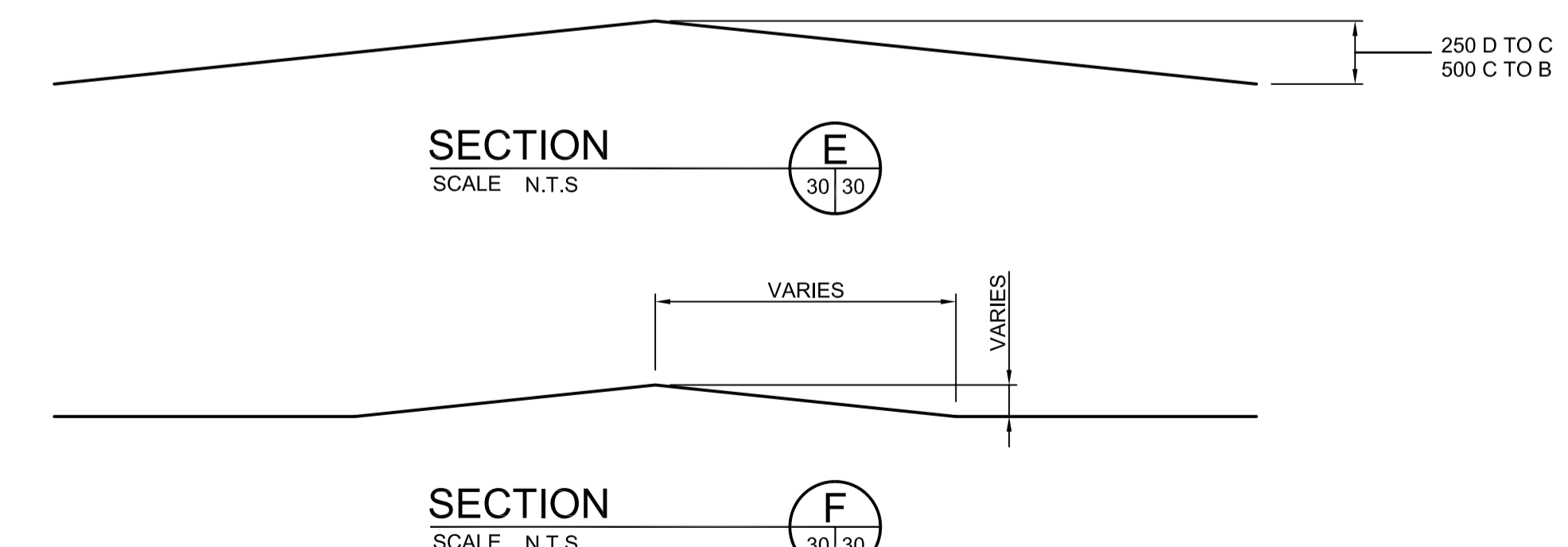
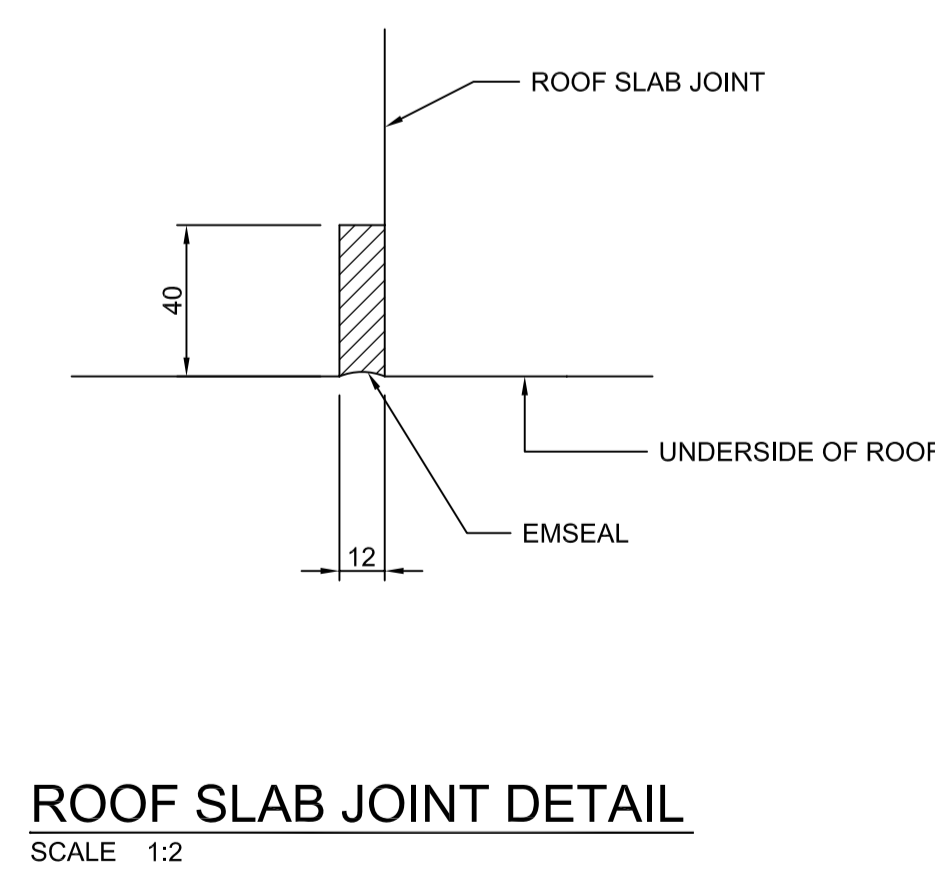
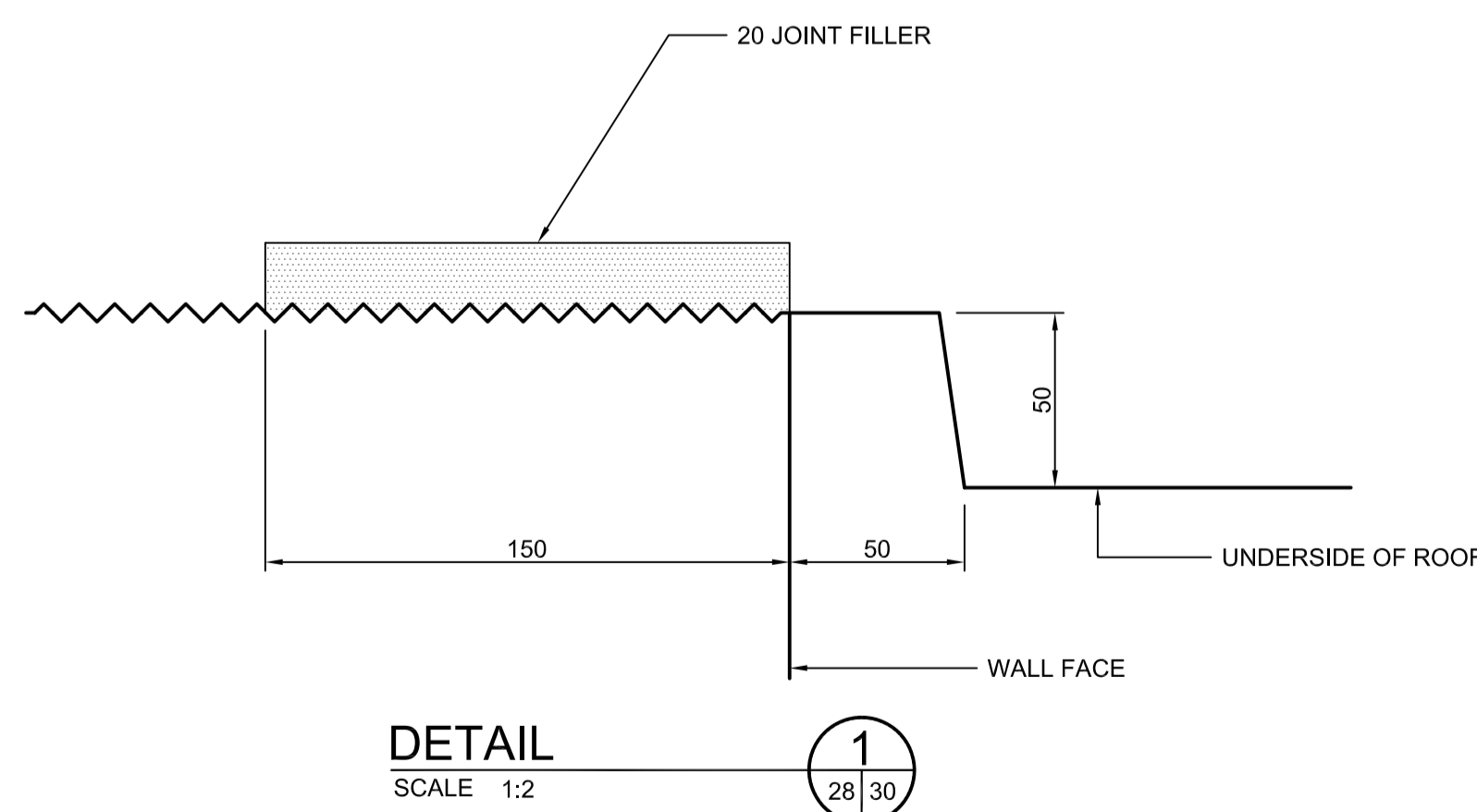


DRAINAGE AT ROOF STEPS - PLAN
SCALE N.T.S.



DRAINAGE AT ROOF STEPS - ELEVATION
SCALE N.T.S.

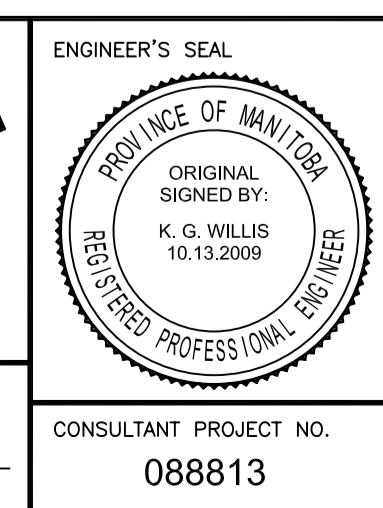
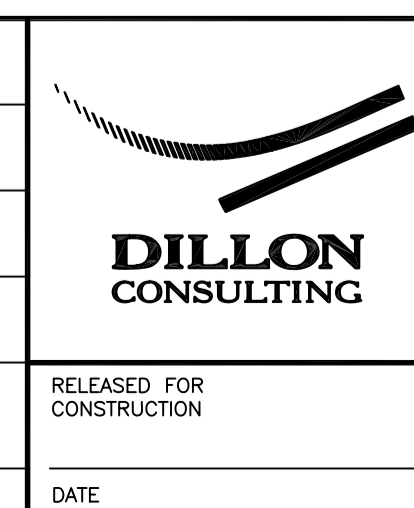


- NOTES:
- CLOSED STIRRUPS SHOWN MAY BE REPLACED WITH CONVENTIONAL OPEN STIRRUPS c/w 2-135 DEGREE HOOKS. HOOKS MAY BE PLACED AT TOP OR BOTTOM OF SLAB.



LOCATION UNDERGROUND	APPROVED STRUCTURES	B.M. ELEV.
SUPY. U/G STRUCTURES COMMITTEE	DATE	
NOTE: LOCATION OF UNDERGROUND STRUCTURES AS SHOWN ARE BASED ON THE BEST INFORMATION AVAILABLE BUT NO GUARANTEE IS GIVEN THAT ALL EXISTING UTILITIES ARE SHOWN OR THAT THE GIVEN LOCATIONS ARE EXACT. CONFIRMATION OF EXISTENCE AND EXACT LOCATION OF ALL SERVICES MUST BE OBTAINED FROM THE INDIVIDUAL UTILITIES BEFORE PROCEEDING WITH CONSTRUCTION.		
0	ISSUED FOR TENDER	10/13/2009 RCB
NO.	REVISIONS	DATE BY

DESIGNED BY	KGW
DRAWN BY	RCB
CHECKED BY	KGW
APPROVED BY	DPK
HOR. SCALE	AS SHOWN
VERTICAL	AS SHOWN
DATE	2009/06/24



THE CITY OF WINNIPEG TRANSIT DEPARTMENT

SOUTHWEST RAPID TRANSIT CORRIDOR - STAGE 1
TRANSITWAY TUNNEL AT CN RIVERS SUBDIVISION
MILEAGE 1.38 & ASSOCIATED WORKS

CITY DRAWING NUMBER: U237-09-31
SHEET 31 OF 73
CONSULTANT DRAWING NUMBER: C4-S1108-T

CONSULTANT PROJECT NO. 088813

ROOF SLAB SECTIONS

G:\csm\088813\Contract\Contract_1\Current\C4-S1108-P.dwg