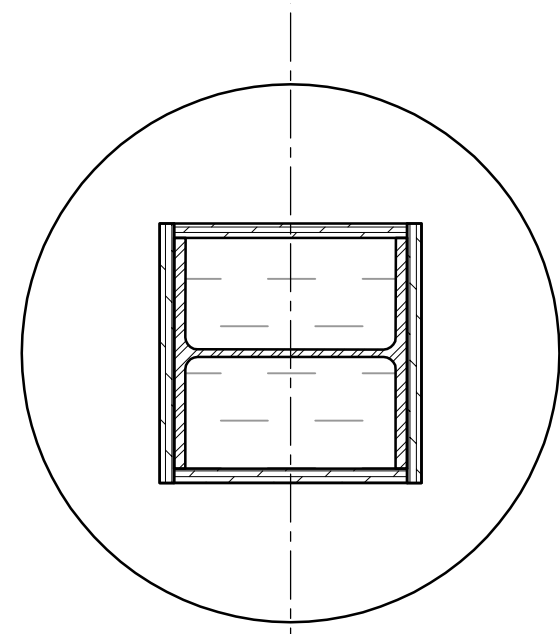
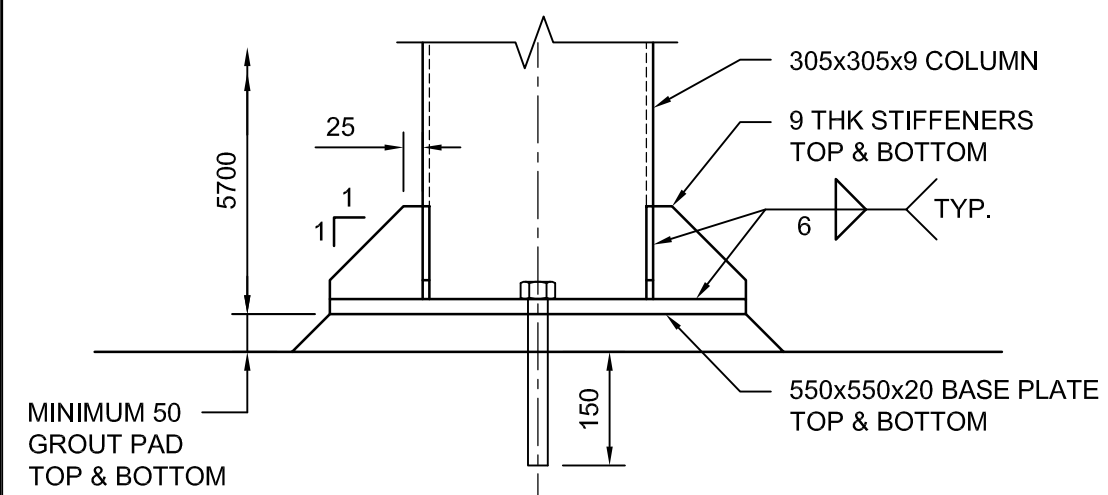


ELEVATION

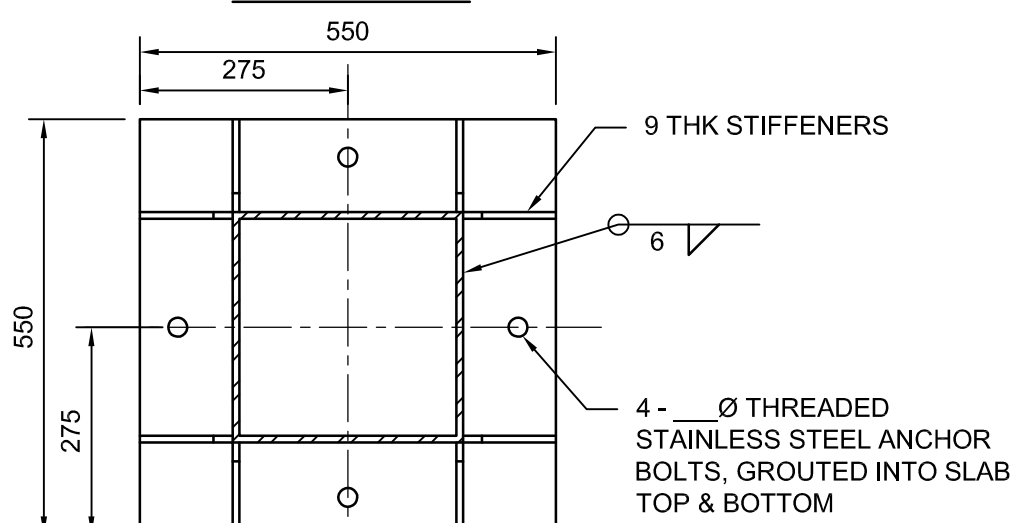


PLAN

DETAIL 1:20

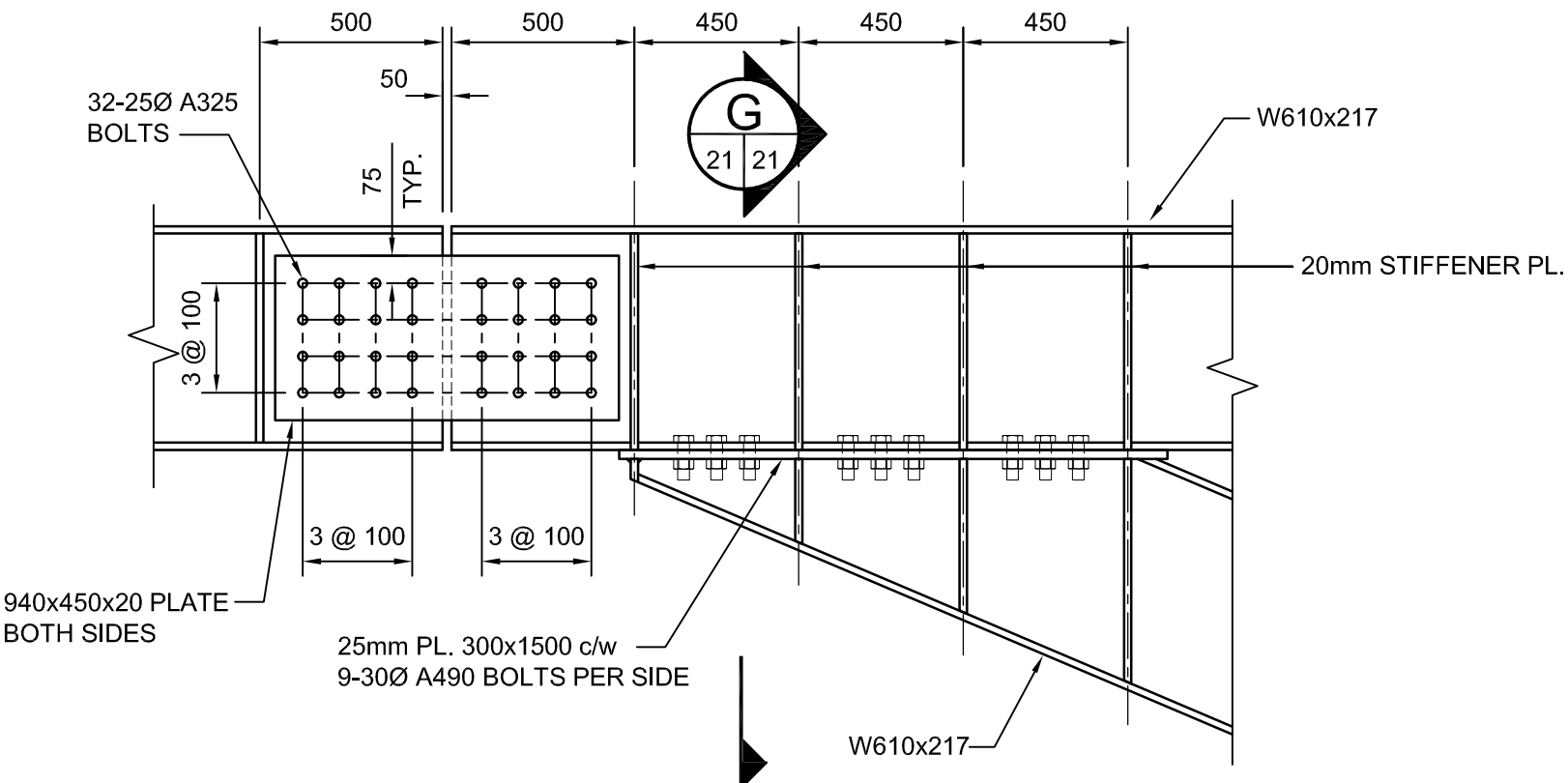


ELEVATION



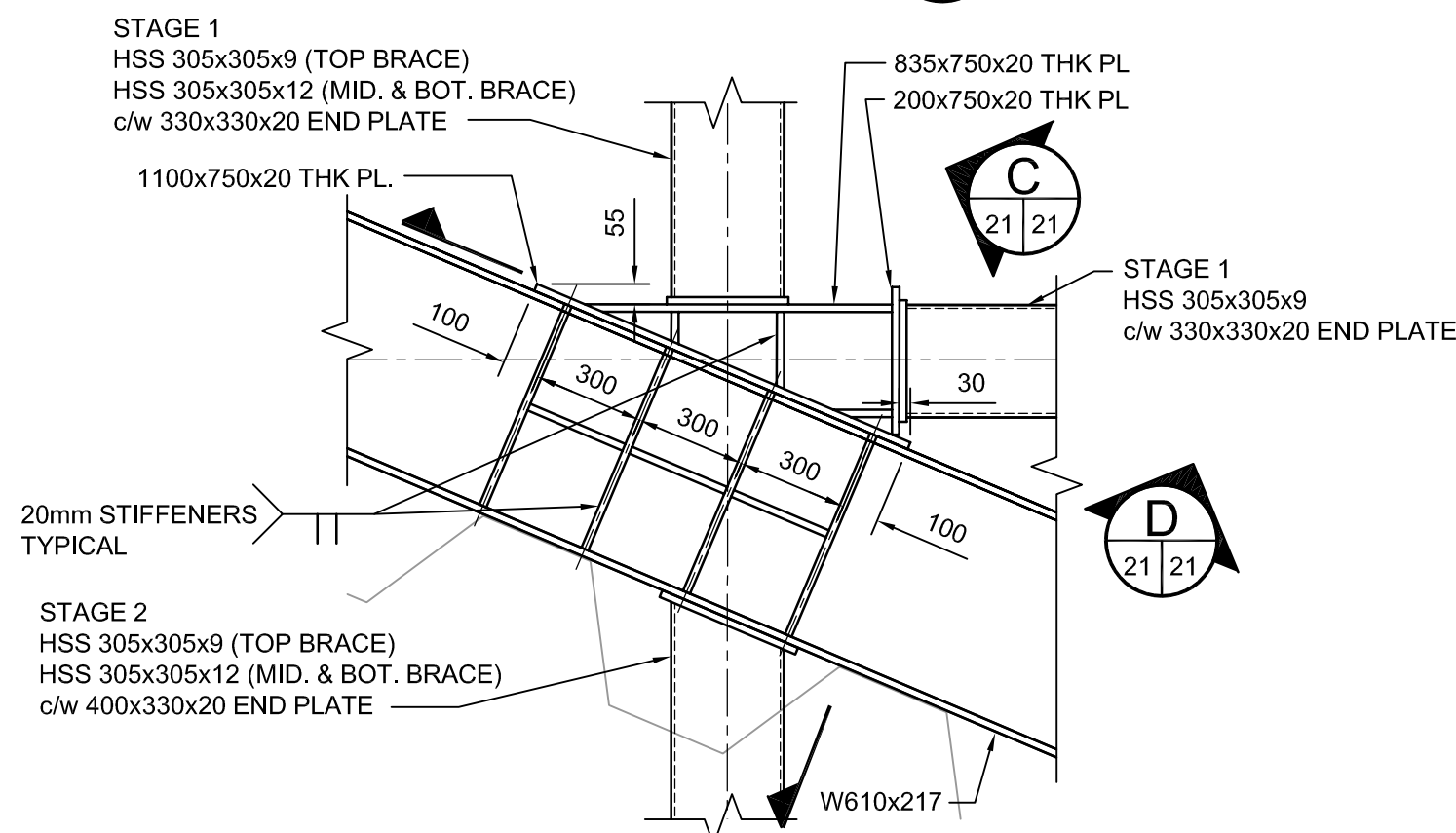
PLAN

DETAIL 1:10



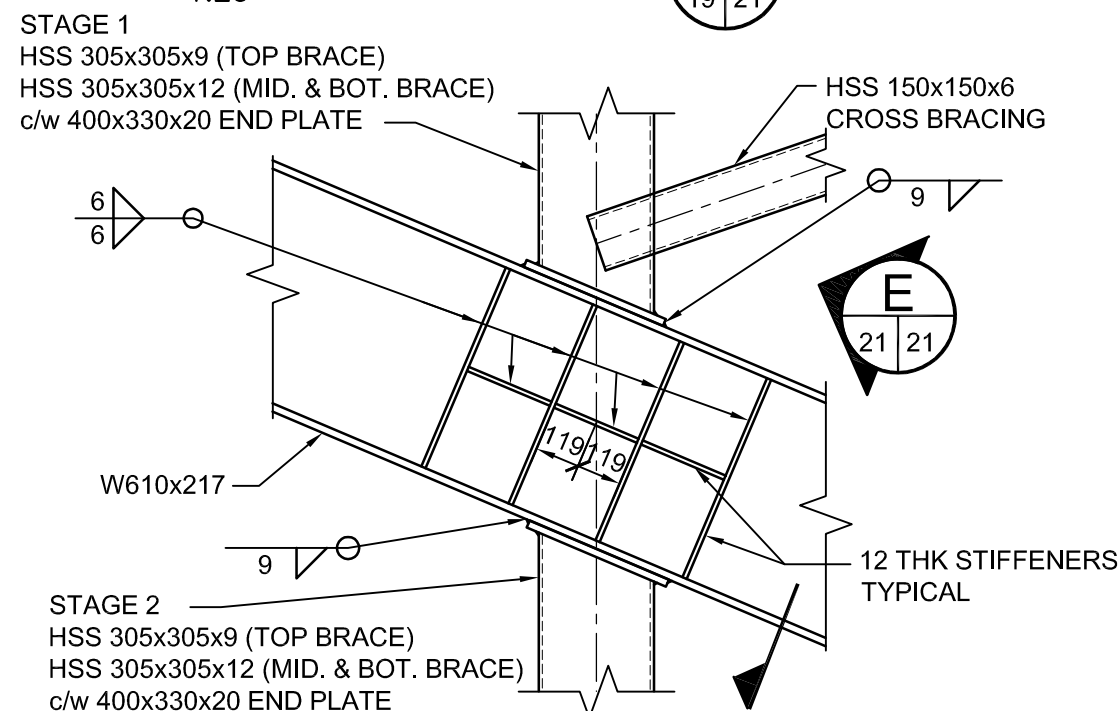
DETAIL

1:20



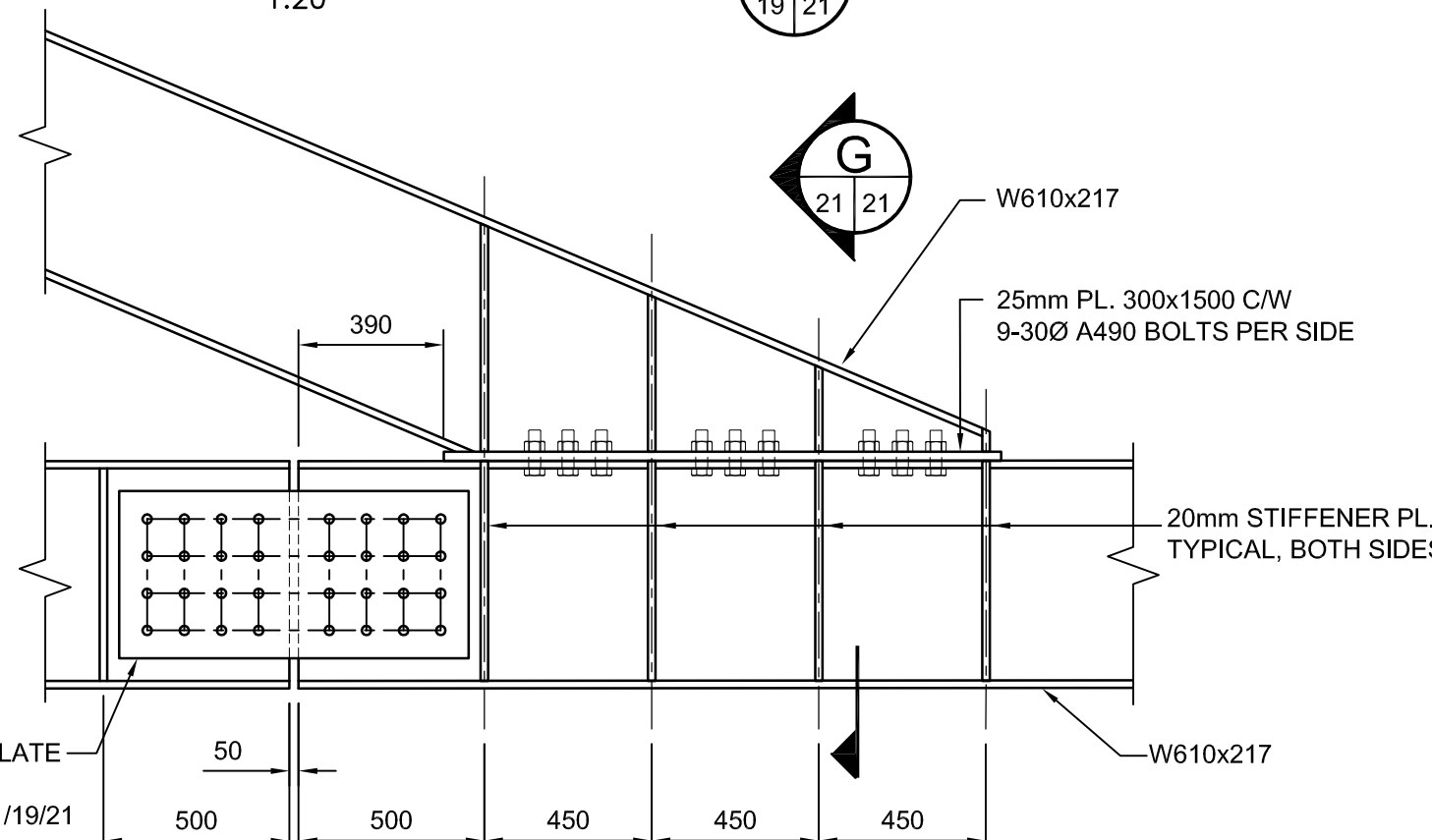
DETAIL

1:20



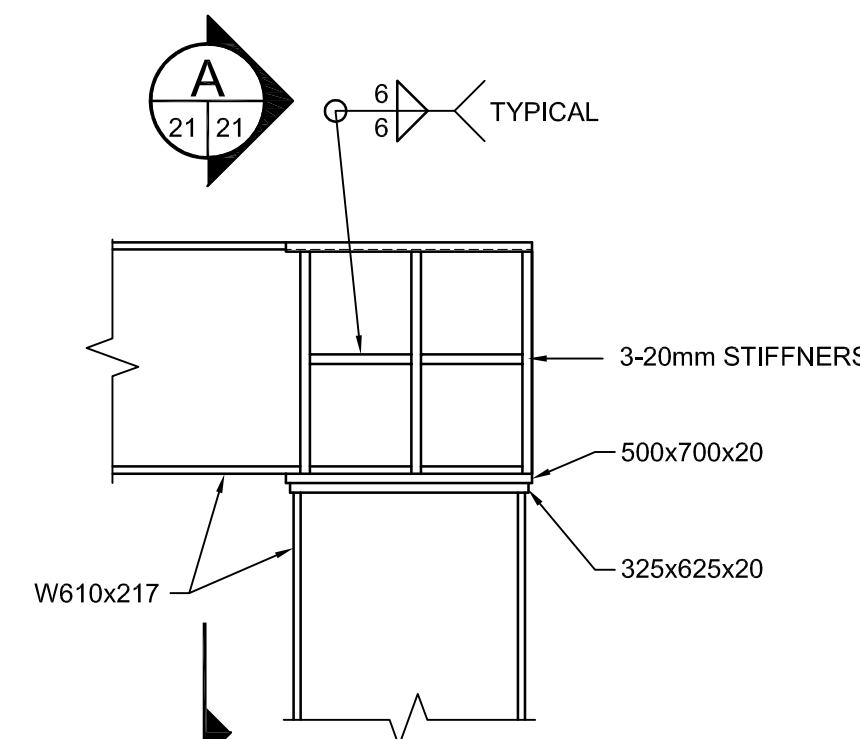
DETAIL

1:20



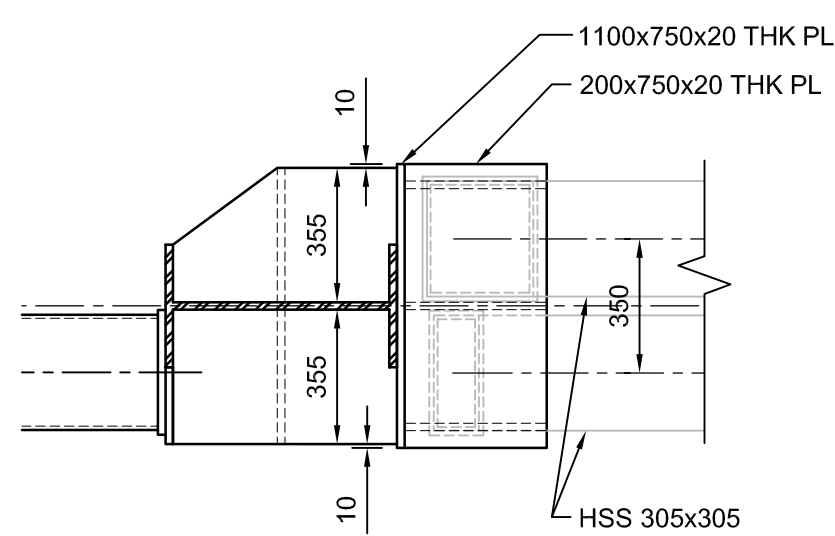
DETAIL

1:20



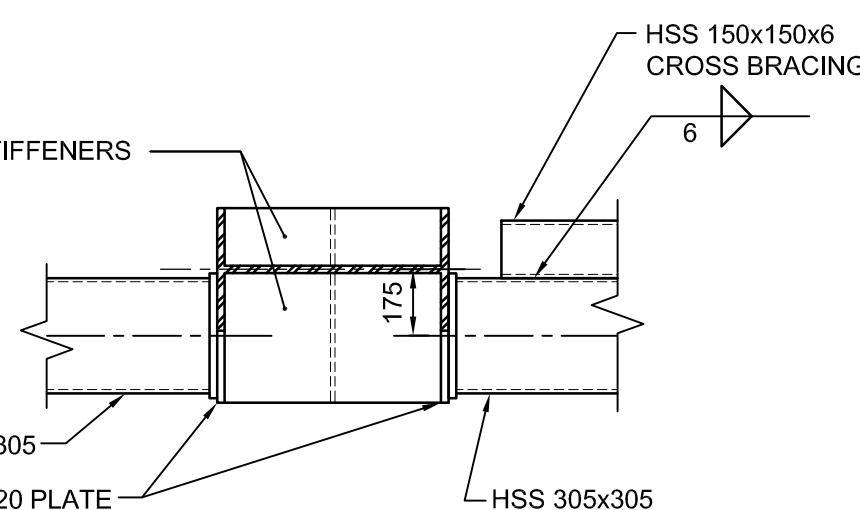
DETAIL

1:20



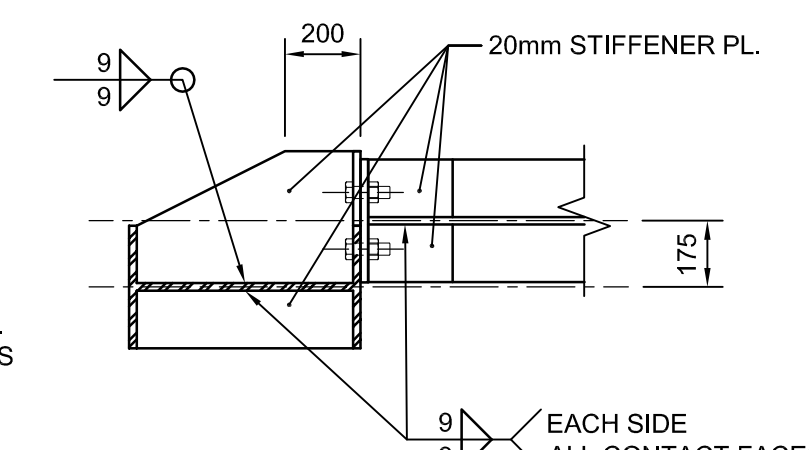
SECTION

1:20



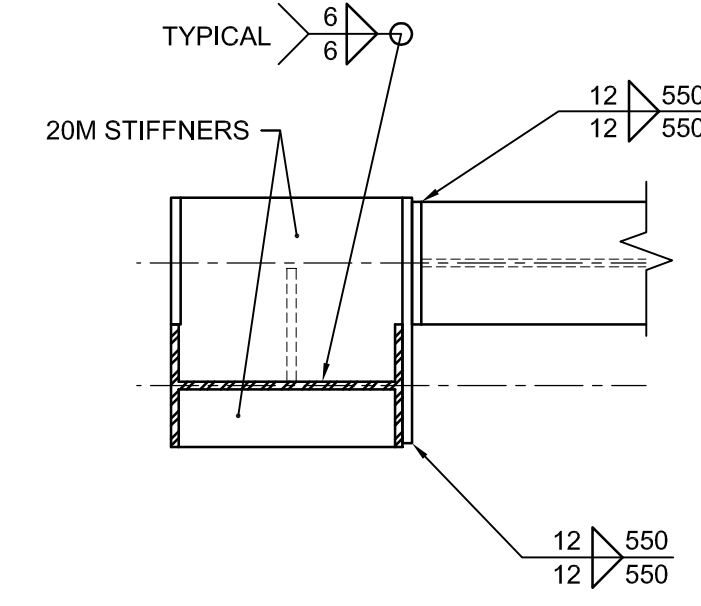
SECTION

1:20



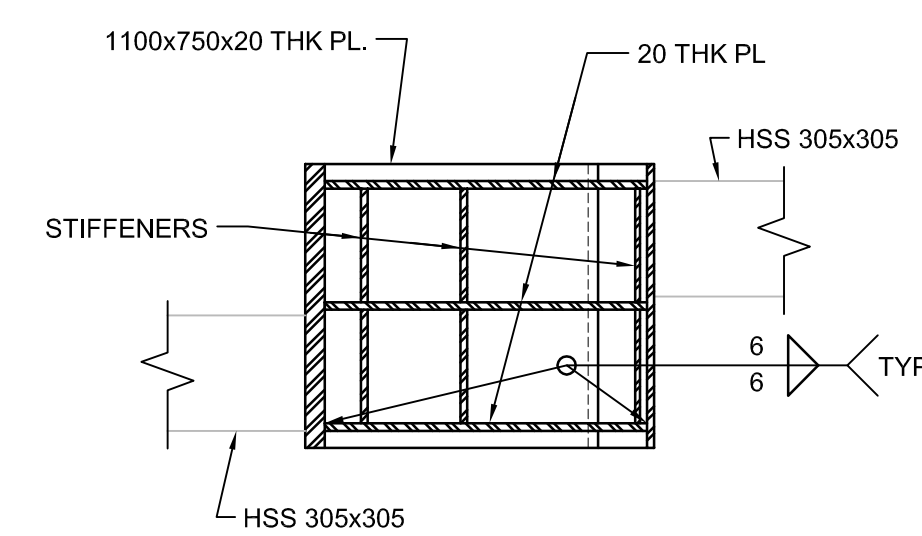
SECTION

1:20



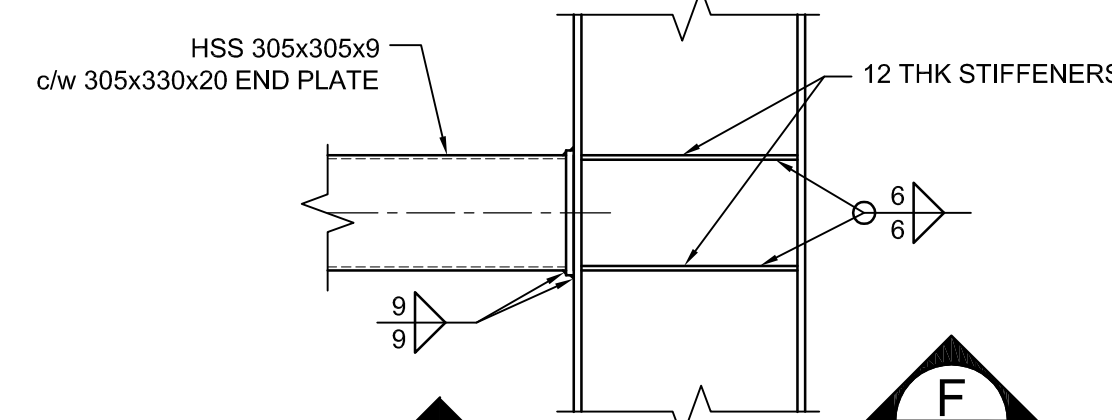
SECTION

1:20



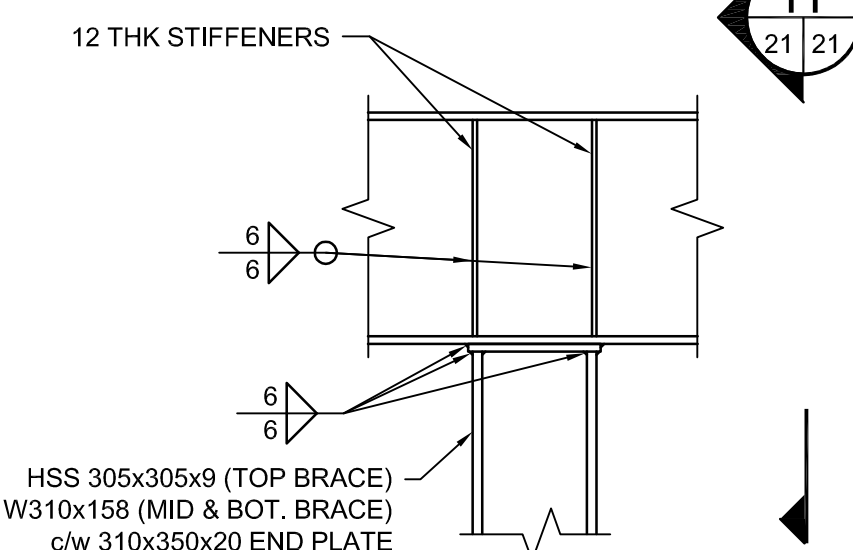
SECTION

1:20



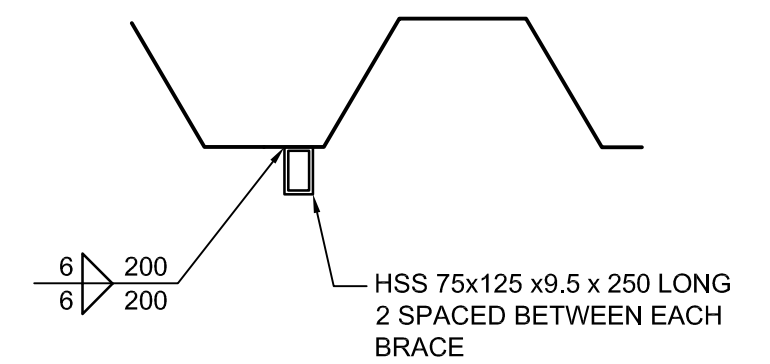
DETAIL

1:20



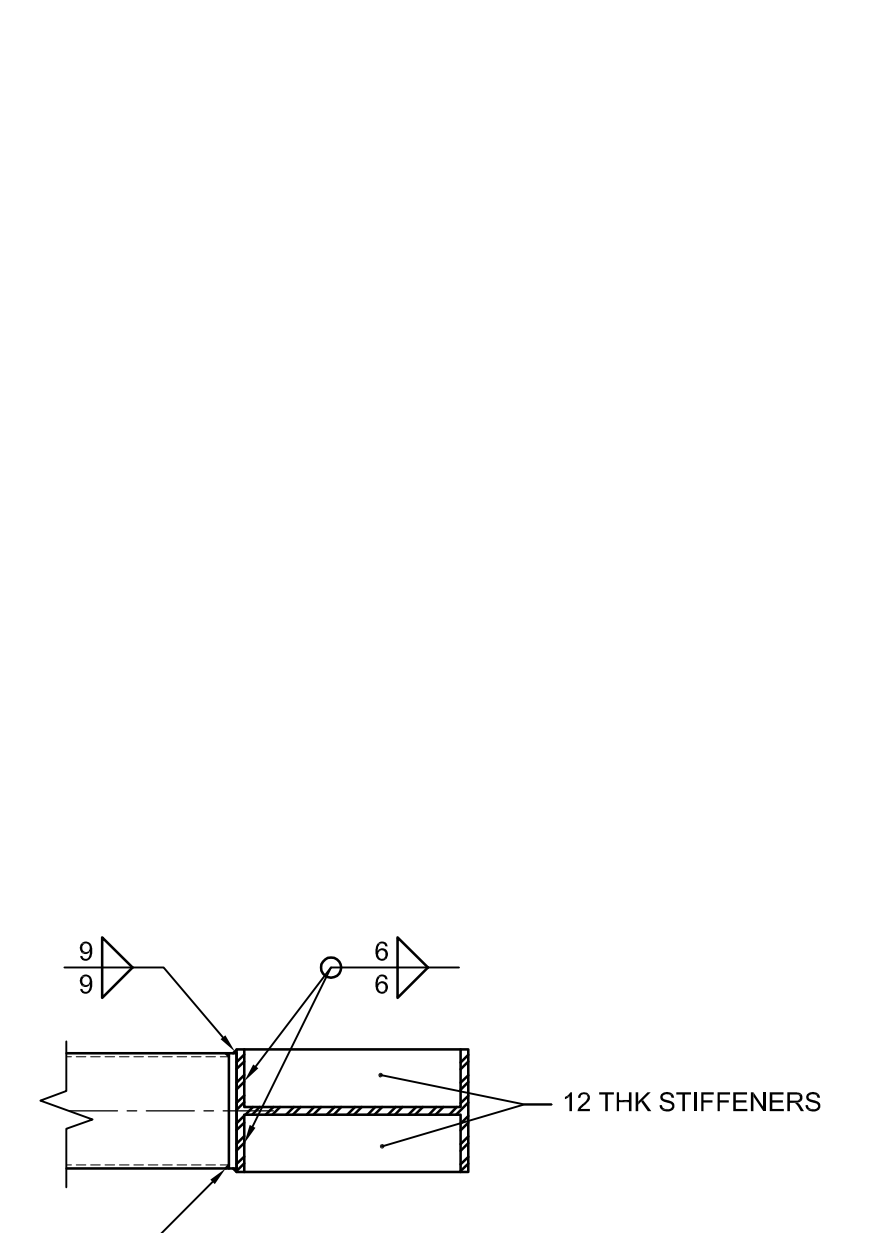
DETAIL

1:20



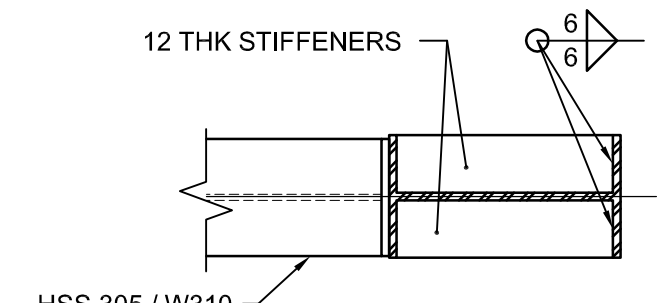
SECTION

1:20



SECTION

1:20



SECTION

1:20

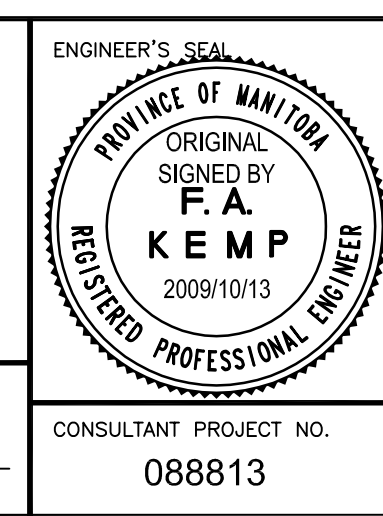


DO NOT SCALE THIS DOCUMENT. ALL MEASUREMENTS MUST BE OBTAINED FROM STATED DIMENSIONS. This drawing has been prepared for the use of AECOM's client and may not be used, reproduced or relied upon by third parties, except as agreed by AECOM and its client, as required by law or for use by governmental reviewing agencies. AECOM accepts no responsibility, and denies any liability whatsoever, to any party that modifies this drawing without AECOM's express written consent.

LOCATION UNDERGROUND	APPROVED STRUCTURES	B.M. ELEV.
SUPPLY U/G STRUCTURES COMMITTEE	DATE	
NOTE: LOCATION OF UNDERGROUND STRUCTURES AS SHOWN ARE BASED ON THE BEST INFORMATION AVAILABLE, BUT NO GUARANTEE IS GIVEN THAT ALL EXISTING UTILITIES ARE SHOWN OR THAT THE GIVEN LOCATIONS ARE EXACT. CONFIRMATION OF EXISTENCE AND EXACT LOCATION OF ALL SERVICES MUST BE OBTAINED FROM THE INDIVIDUAL UTILITIES BEFORE PROCEEDING WITH CONSTRUCTION.		

DESIGNED BY	FK
DRAWN BY	KAA
CHECKED BY	RE/KC
APPROVED BY	EBL
HOR. SCALE	AS NOTED
VERTICAL	
ISSUED FOR TENDER	10.13.09 KAA
NO. REVISIONS	DATE BY
	DATE 2009.10.13

RELEASED FOR CONSTRUCTION	DATE



THE CITY OF WINNIPEG TRANSIT DEPARTMENT	
SOUTHWEST RAPID TRANSIT CORRIDOR - STAGE 1 TRANSITWAY TUNNEL AT CN RIVER SUBDIVISION MILEAGE 1.38 & ASSOCIATED WORKS	CITY DRAWING NUMBER U237-09-21 SHEET 21 OF 73 CONSULTANT DRAWING NUMBER C4-S1009-T
CONSULTANT PROJECT NO. 088813	STRUCTURAL DETAILS SHEET 1 OF 2

L:\work\112000\112000-02-cad\Proj_Drawings\STR\CONTR\577-2009_STRUCTURAL_DETAILS_SHEET_1_OF_2_C4S1009-T-R0.dwg