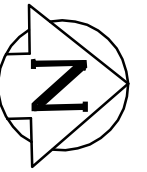


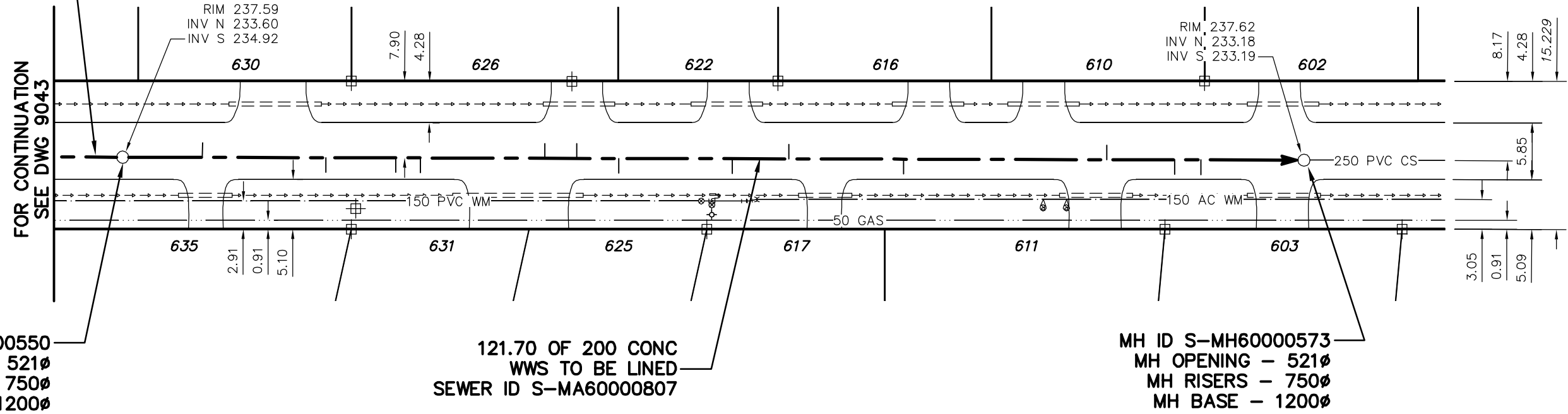
8.0 FULLY DETERIORATED
OVALITY = 10.0%

111.70 PARTIALLY DETERIORATED
OVALITY = 5.0%



200 CONC WWS
TO BE LINED
(SEE DWG 9043)

MUNICIPAL ROAD



MH ID S-MH60000550
MH OPENING - 521Ø
MH RISERS - 750Ø
MH BASE - 1200Ø

121.70 OF 200 CONC
WWS TO BE LINED
SEWER ID S-MA60000807

MH ID S-MH60000573
MH OPENING - 521Ø
MH RISERS - 750Ø
MH BASE - 1200Ø

FOR CONTINUATION
SEE DWG 9043

SEWER JUNCTION INFORMATION
FROM SEWER VIDEO INSPECTION
SEWER ID S-MA60000807

DISTANCE FROM MH ID S-MH60000550				
8.2	N	100Ø	TOP	CX
20.9	N	100Ø	EAST	CNI
28.1	N	100Ø	TOP	CN
30.6	N	100Ø	EAST	CN
43.4	N	100Ø	TOP	CX
46.7	N	100Ø	WEST	JN
51.0	N	100Ø	TOP	JN
62.7	N	100Ø	EAST	CN
68.5	N	100Ø	WEST	JN
80.3	N	100Ø	EAST	CN
101.2	N	100Ø	WEST	CXI
108.2	N	100Ø	EAST	JN
110.9	N	100Ø	TOP	CN

ENGINEER'S SEAL

ORIGINAL
SIGNED BY
S.R.J.
COURNOYER
09/09/28

BID OPPORTUNITY: 567-2009
FILENAME : 9042.dwg
PLOT DATE : 2009 09 28

METRIC

WHOLE NUMBERS INDICATE MILLIMETRES
DECIMALIZED NUMBERS INDICATE METRES

B.M. ELEV.	FIELD BOOK #:				
POSTED TO LBIS		DESIGNED BY: SC	CHECKED BY: SC	2009 SEWER RENEWALS BY CIPP LININGS, CONTRACT 15 MUNICIPAL ROAD	
		DRAWN BY: CJH	APPROVED BY: KZ	1ST MH N OF BETSWORTH AVENUE TO 2ND MH N OF BETSWORTH AVENUE	
		HOR. SCALE 1:500 VERTICAL	RELEASED FOR CONSTRUCTION	SHEET 22 OF 45 CITY DRAWING NUMBER 9042	
NO.	REVISIONS	DATE	BY	DATE	2009 09 25