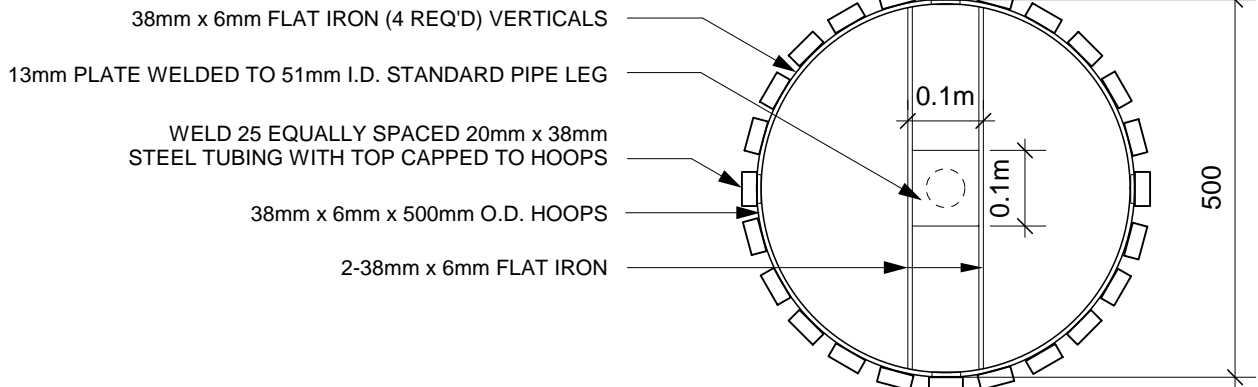
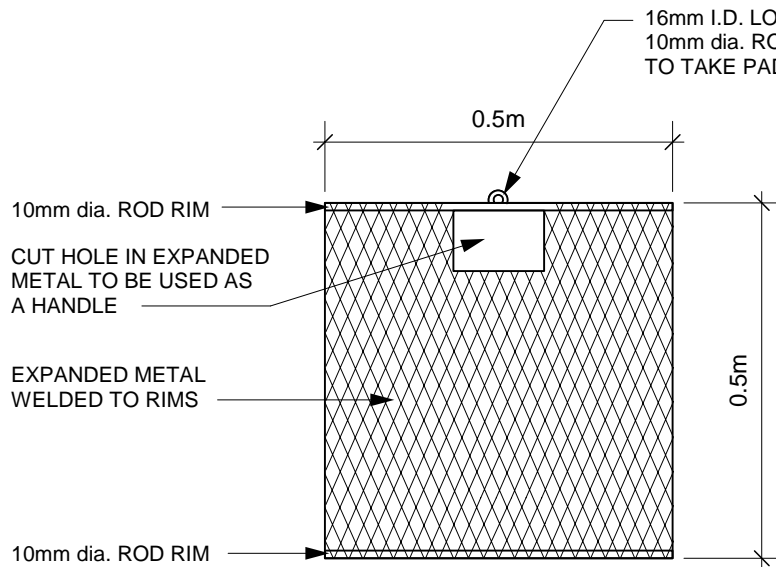


**WASTE RECEPTACLE  
METAL SLAT TYPE**

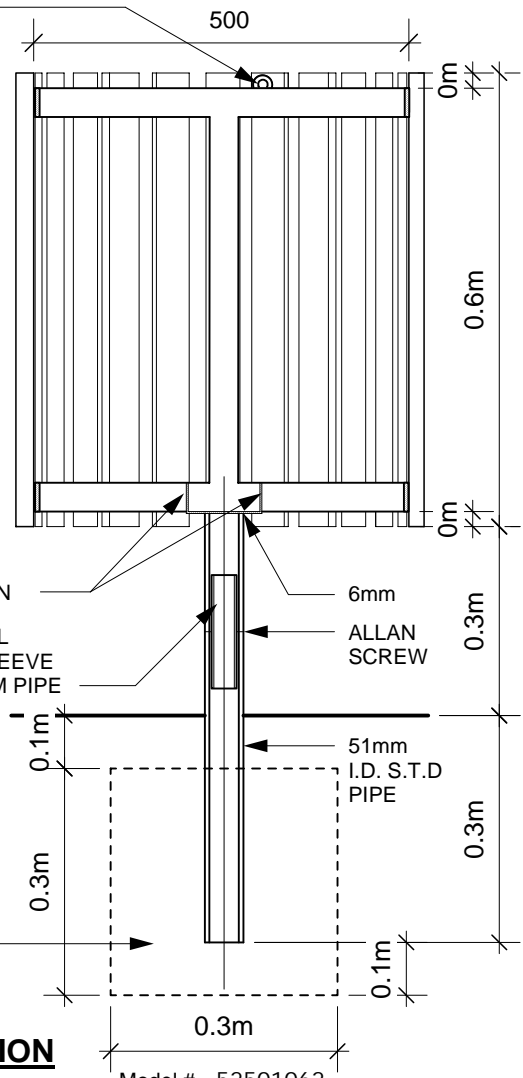
SCD 119



**PLAN**



**METAL BASKET**



**CROSS SECTION**

Model # 52501062

**NOTE:**

- METAL SLATS SHALL BE PRIMED WITH RUSTOLEUM No. 796, FINISH SHALL BE METAL PAINT, TO MATCH SPECIFIED BENCH COLOUR.
- METAL SHALL BE PRIMED WITH RUSTOLEUM No. 769, FINISH SHALL BE SAPOLIN BLACK WROUGHT FINISH.
- ALL DIMENSIONS ARE IN MILLIMETERS, EXCEPT WHERE NOTED.

ALL DIMENSIONS SHOWN ARE IN MILLIMETRES

Scale: 1:10  
 Drawn By: j.f.  
 Date: Mar./06

THE CITY OF WINNIPEG  
 Planning, Property and Development Department  
 Planning and Land Use Division  
 Unit 15 - 10 Fort Street, Winnipeg, MB, R3C 4X5

