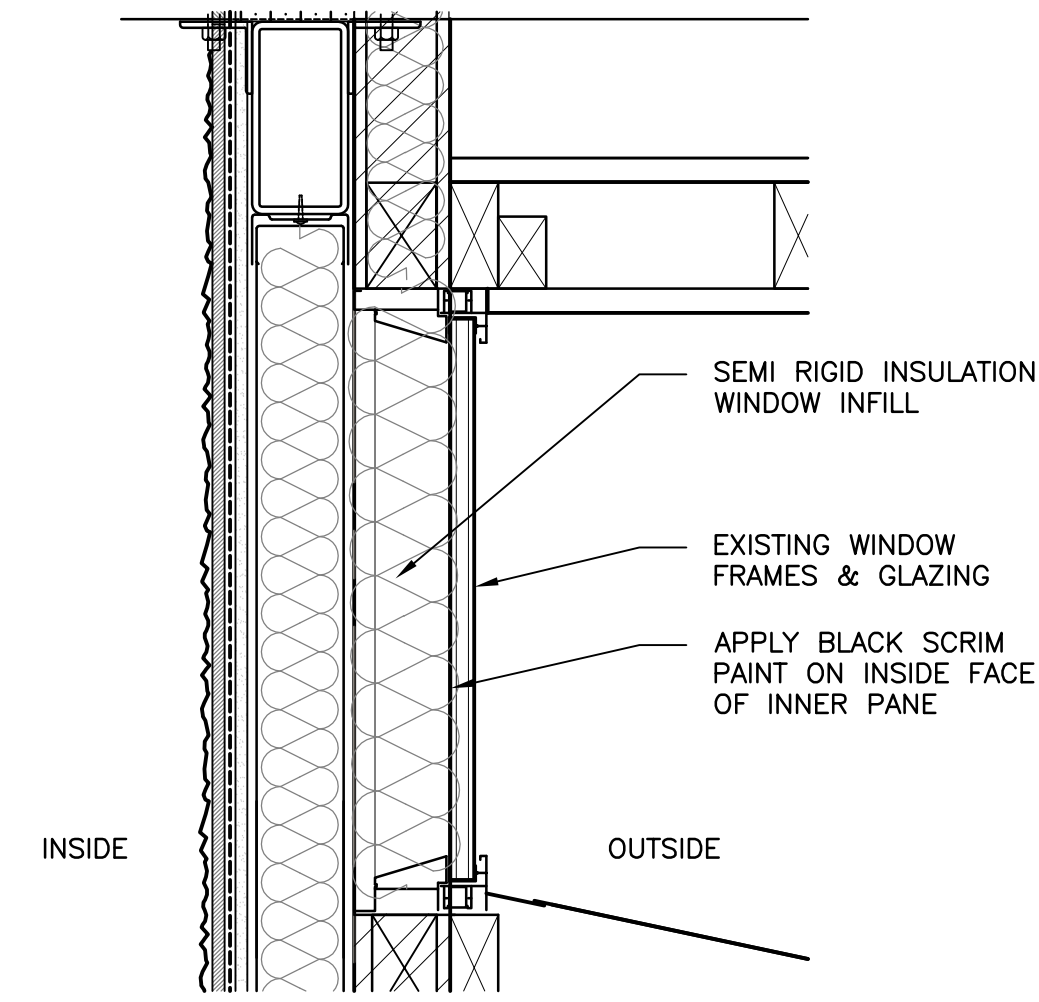
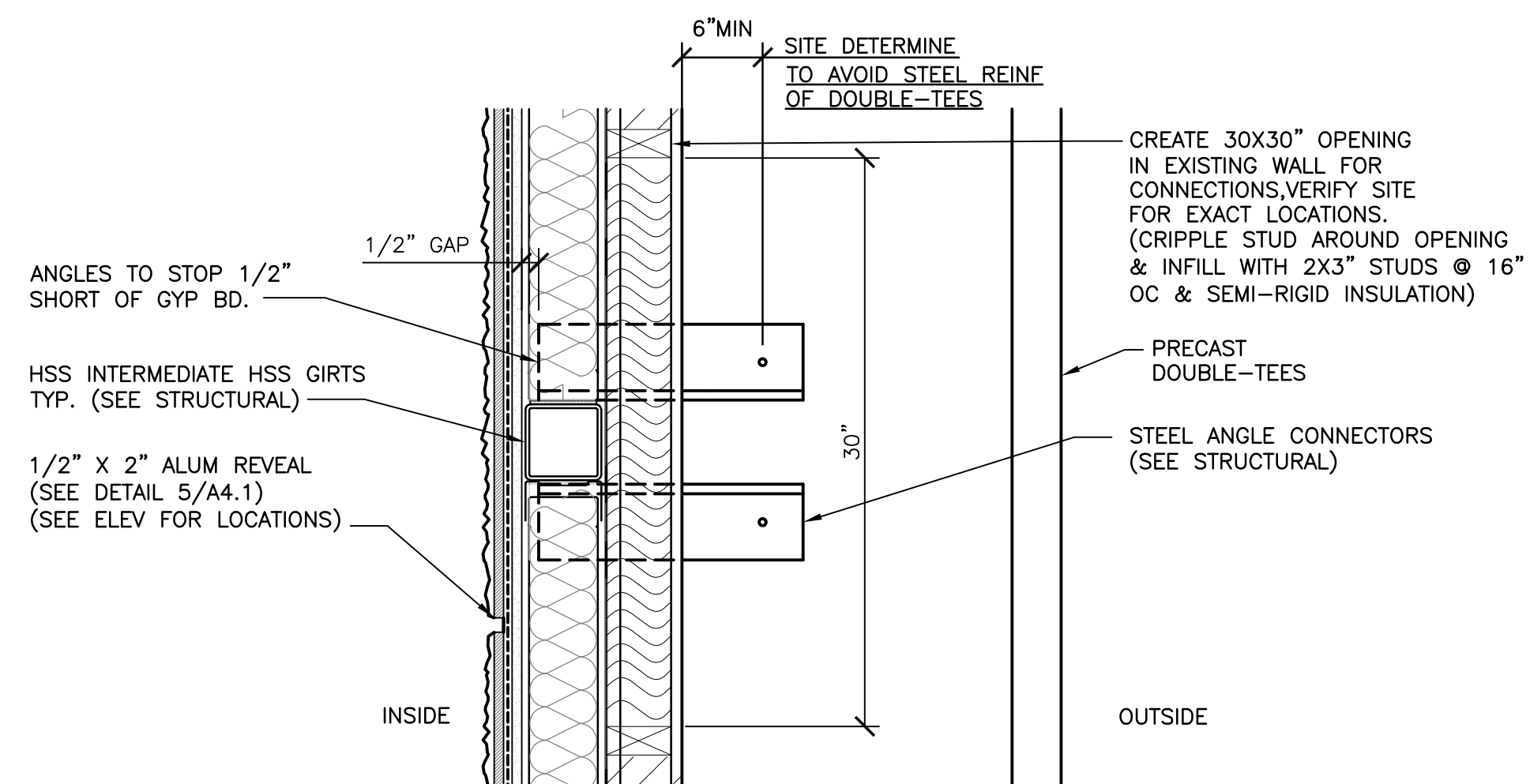


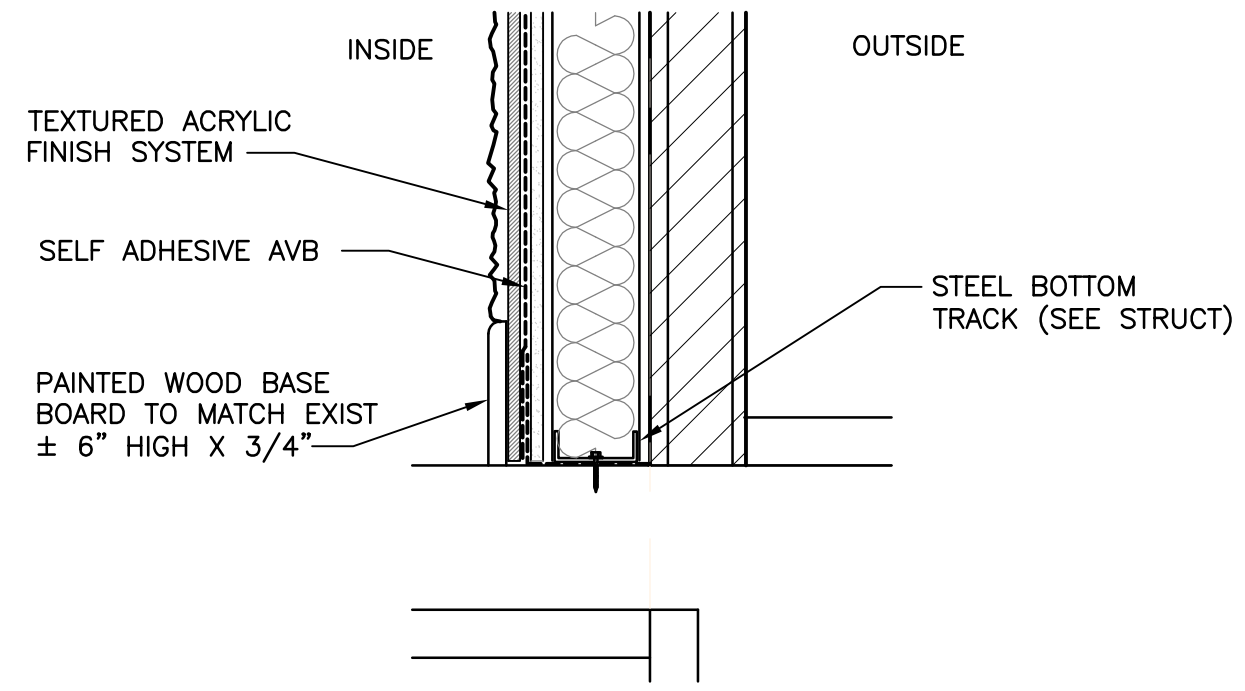
1 WALL TOP DETAIL
 A4.1/A4.1 SCALE: 1 1/2"=1'-0"



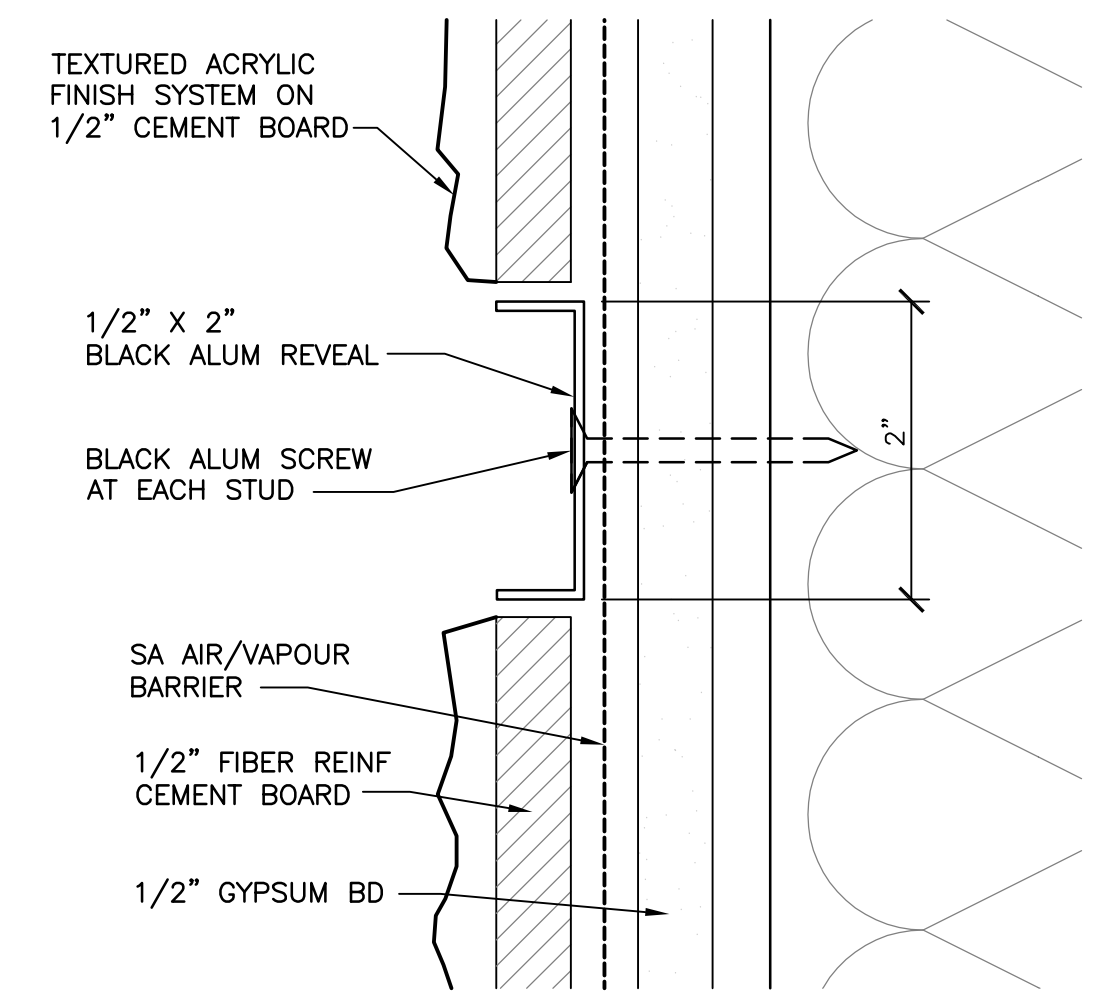
2 WINDOW INFILL DETAIL
 A4.1/A4.1 SCALE: 1 1/2"=1'-0"



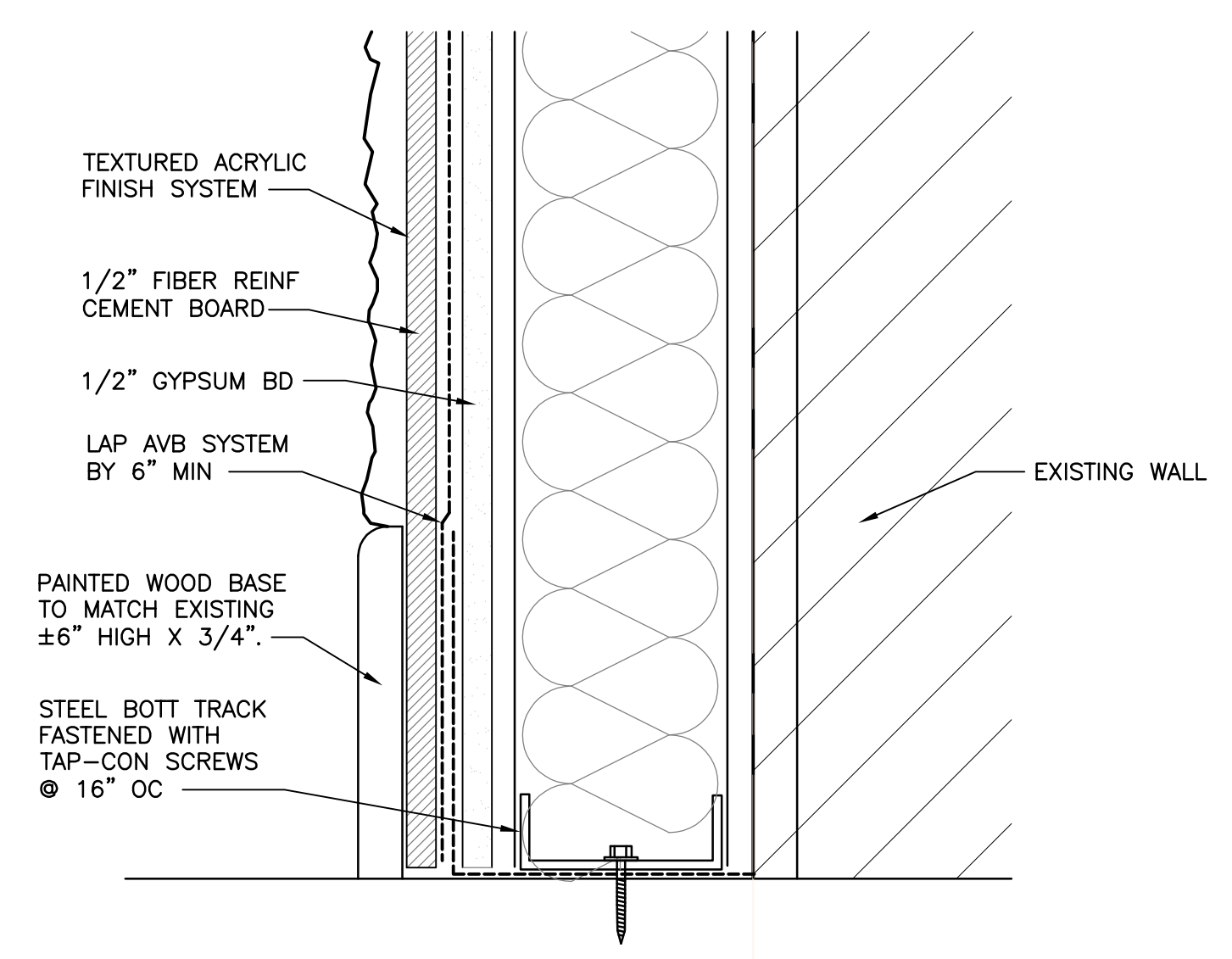
3 HSS GIRT CONNECTION DETAIL
 A4.1/A4.1 SCALE: 1 1/2"=1'-0"



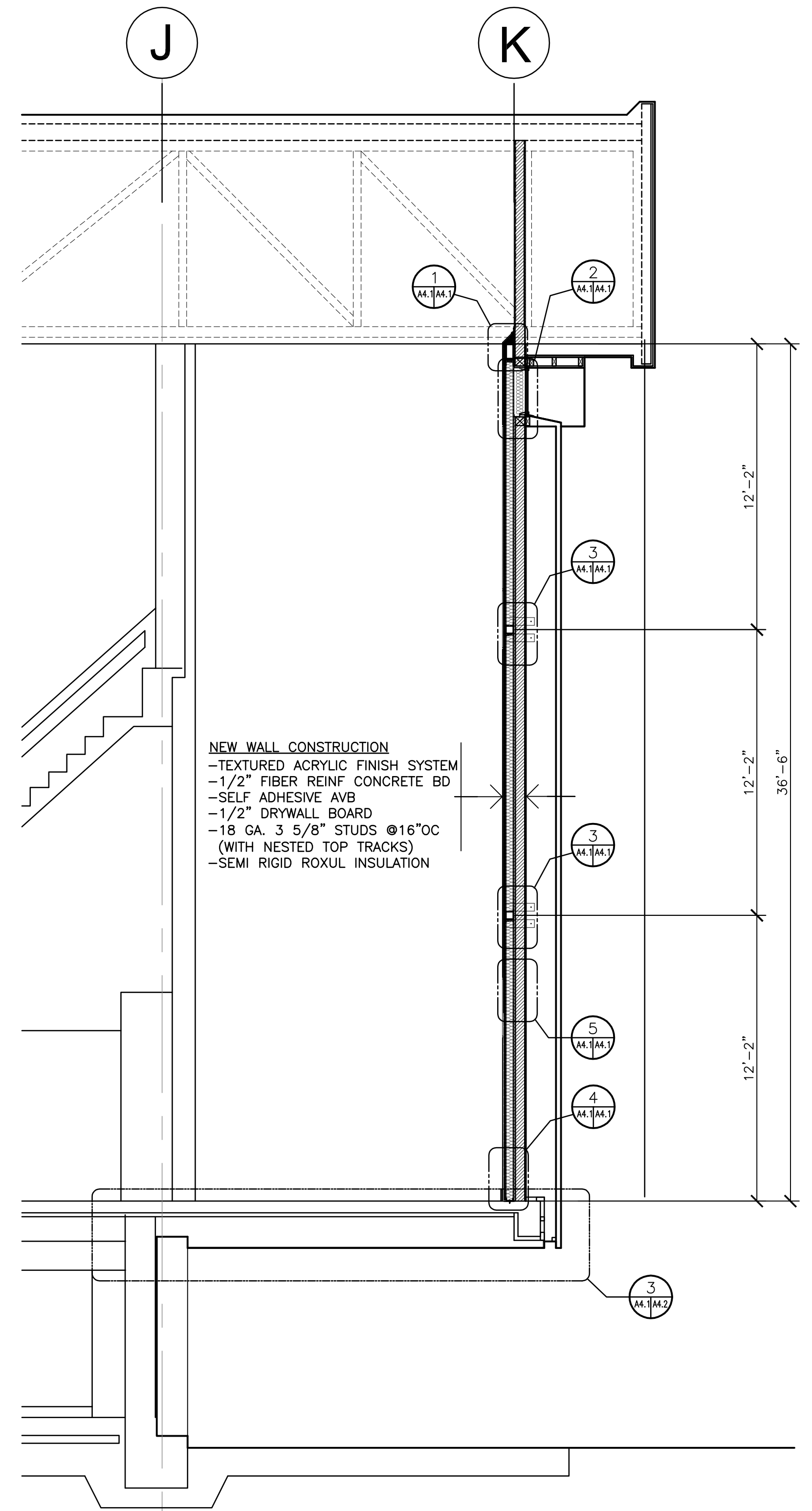
4 WALL BASE CONNECTION DETAIL
 A4.1/A4.1 SCALE: 1 1/2"=1'-0"



5 ALUMINUM REVEAL DETAIL
 A4.1/A4.1 SCALE: 1'=1'-0"



6 WALL BASE BLOW UP DETAIL
 A4.1/A4.1 SCALE: 6"=1'-0"



A WALL SECTION
 A2.1/A4.1 SCALE: 1/4"=1'-0"

NO	ISSUED FOR TENDER	09-07-10	AL
REV	DESCRIPTION	DATE	BY

SEAL:

SEAL:

THIS DRAWING MUST NOT BE SCALED.
 THE GENERAL CONTRACTOR SHALL VERIFY ALL DIMENSIONS, DATUMS AND LEVELS PRIOR TO COMMENCEMENT OF WORK AND IS HELD RESPONSIBLE FOR REPORTING ANY DISCREPANCY OR OMISSION TO NEIL COOPER ARCHITECT INC. IMMEDIATELY.
 THIS DRAWING IS THE EXCLUSIVE PROPERTY OF NEIL COOPER ARCHITECT INC. AND CAN BE REPRODUCED ONLY WITH THE PERMISSION OF NEIL COOPER ARCHITECT INC. IN WHICH CASE THE REPRODUCTION MUST BEAR THEIR NAME AS THE ARCHITECTURAL FIRM.

NORTH WALL SECTION AND DETAILS

PROJECT:
PAN AM POOL BLDG ENVELOPE RETROFIT PHASE 1
 25 Poseidon Bay, Winnipeg, Manitoba

Neil Cooper Architect Inc.
 10-395 Berry Street, Winnipeg, Manitoba R3J 1N6

Tuplin Group Inc.
 Unit L 301 Weston Street, Winnipeg, Manitoba R3E 3H4

DRAWN BY: AG/AL	CHECKED BY: NC	SHEET NO: A4.1R-0	REV NO:
DATE: JUNE 22, 2009	SCALE: As Noted	FILE: 08062\PAN AM POOL\ CONT DOC.\ CONT. DWGS.\PHASE 1\A4.1	