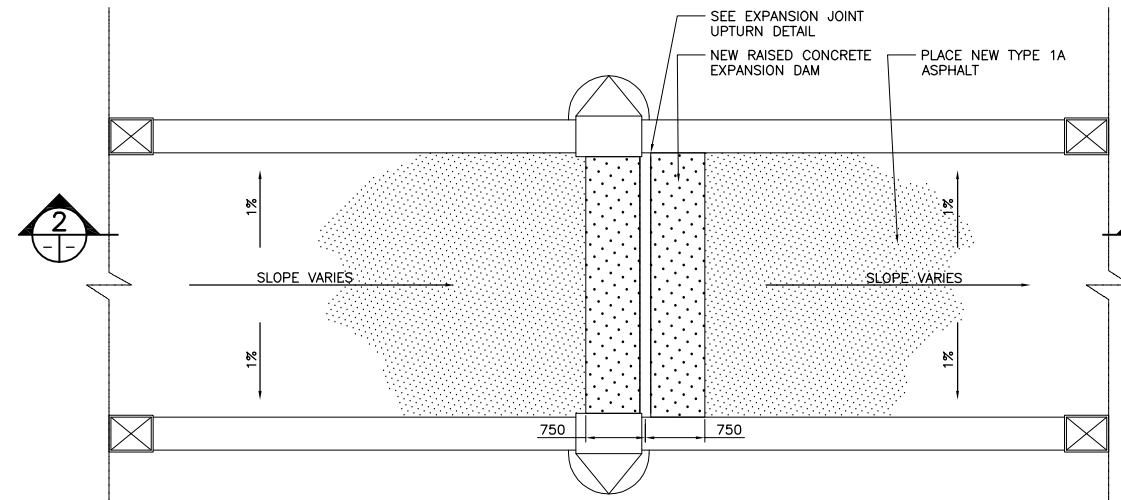
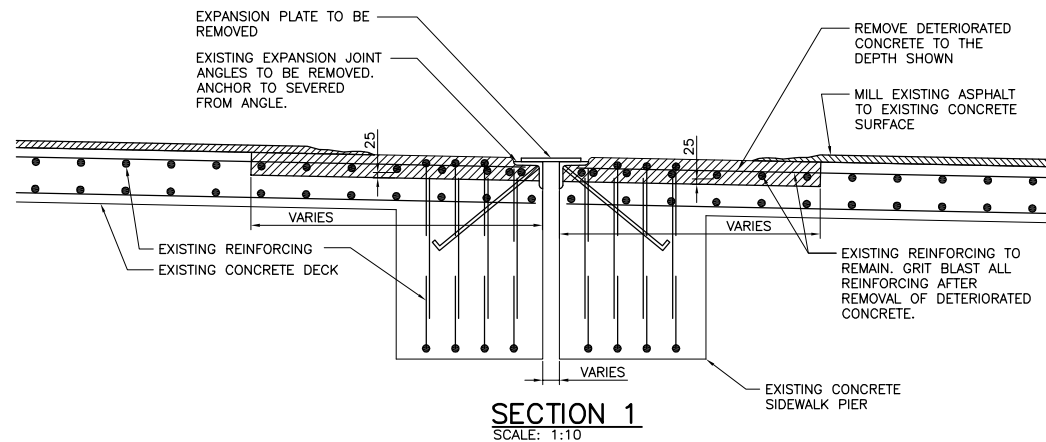


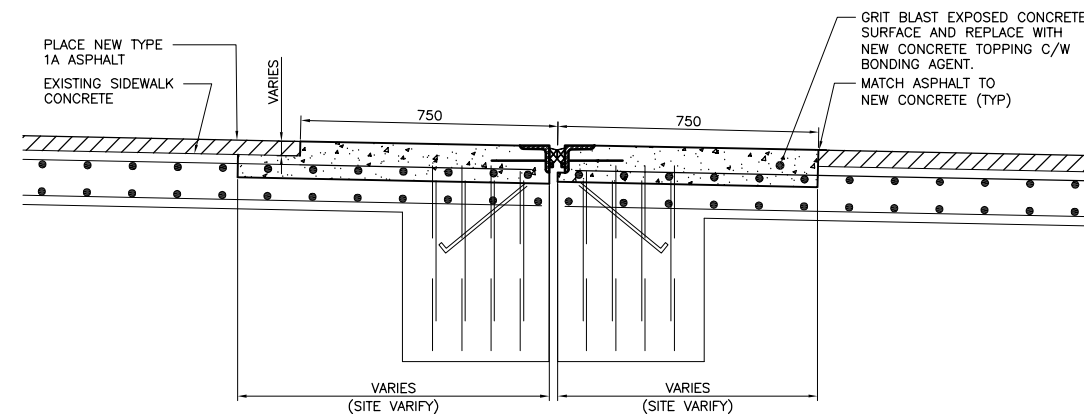
EXISTING ASPHALT AND CONCRETE REMOVAL DETAIL
SCALE: 1:50



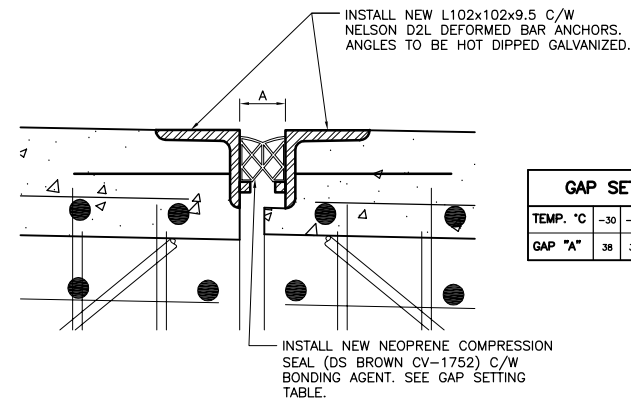
NEW EXPANSION JOINT DETAIL
SCALE: 1:50



SECTION 1
SCALE: 1:10

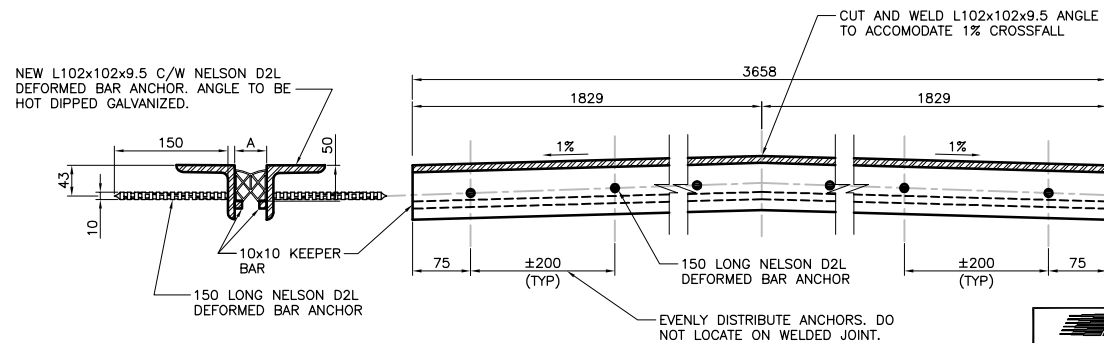


SECTION 2
SCALE: 1:10

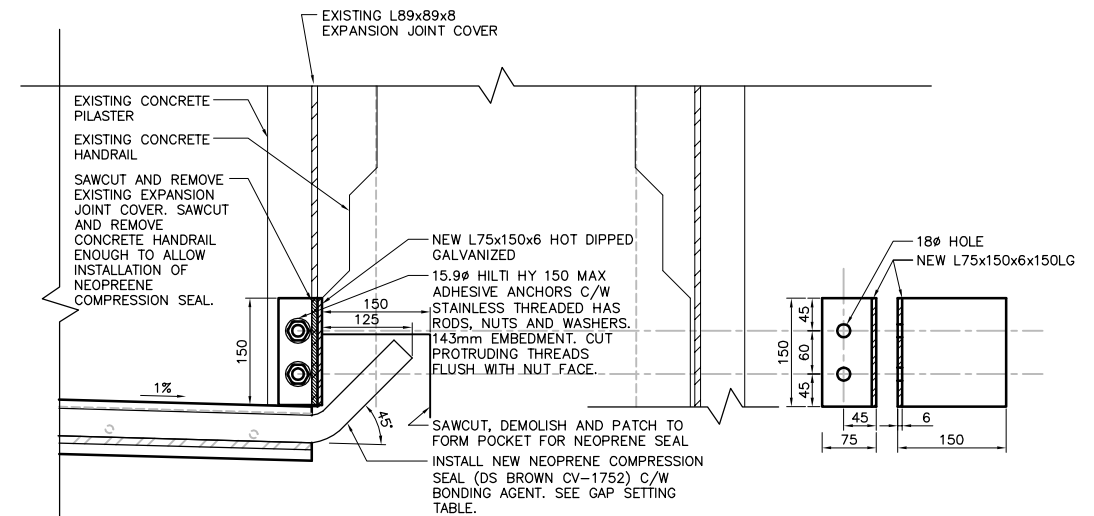


NEOPRENE EXPANSION SEAL DETAIL
SCALE: 1:10

GAP SETTING TABLE							
TEMP. °C	-30	-20	-10	0	10	20	30
GAP "A"	38	35	32	29	26	23	20



EXPANSION JOINT STEEL DETAIL
SCALE: 1:5



EXPANSION JOINT UPTURN DETAIL
SCALE: 1:5

B.M. ELEV.	DESIGNED BY	DDW			
	DRAWN BY	DDW			
	CHECKED BY	JSB			2009 BRIDGE MAINTENANCE ASSINIBOINE PARK PEDESTRIAN BRIDGE OVER ASSINIBOINE RIVER
	APPROVED BY				CITY DRAWING NUMBER B129-09-02 SHEET 3 OF 6
	HOR. SCALE	AS NOTED			ASPHALT RESURFACING AND CONCRETE REPAIR DETAILS
	VERTICAL	AS NOTED			
0 ISSUED FOR TENDER	07/29/09	JSB	RELEASED FOR CONSTRUCTION	ORIGINAL SIGNED BY B.A. NEIRNICK	CONSULTANT PROJECT NO. 091645
NO. REVISIONS	DATE	BY	DATE	JULY 29, 2009	
					BID OPPORTUNITY 506-2009