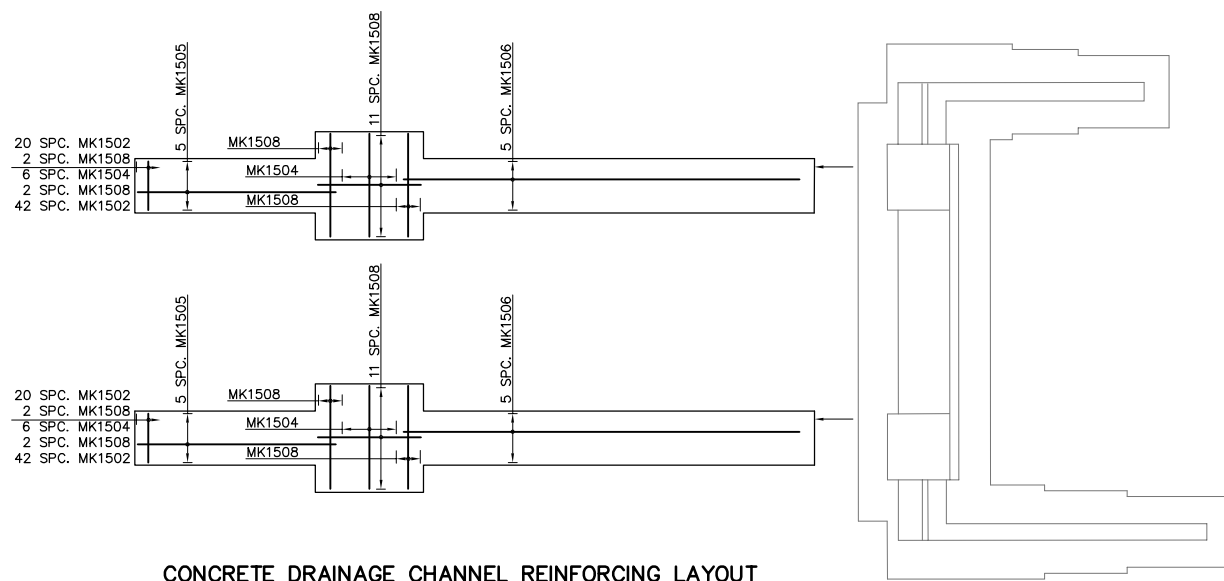
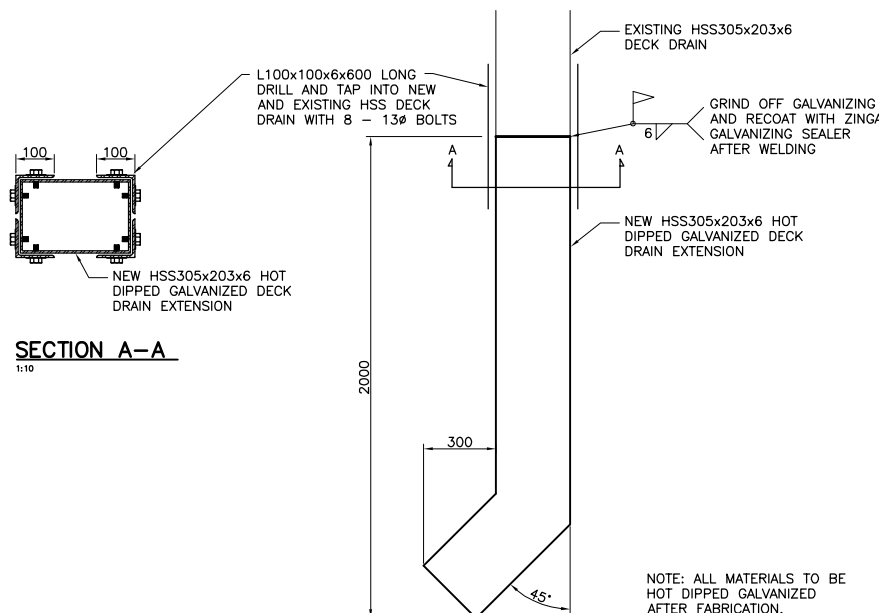


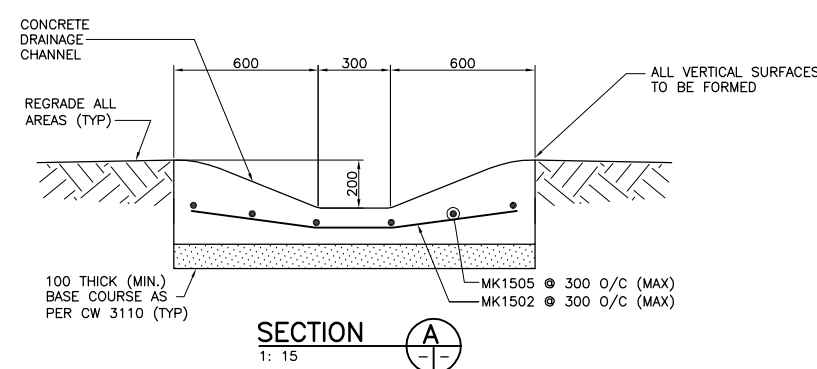
**CONCRETE DRAINAGE CHANNEL DETAIL**  
1:100



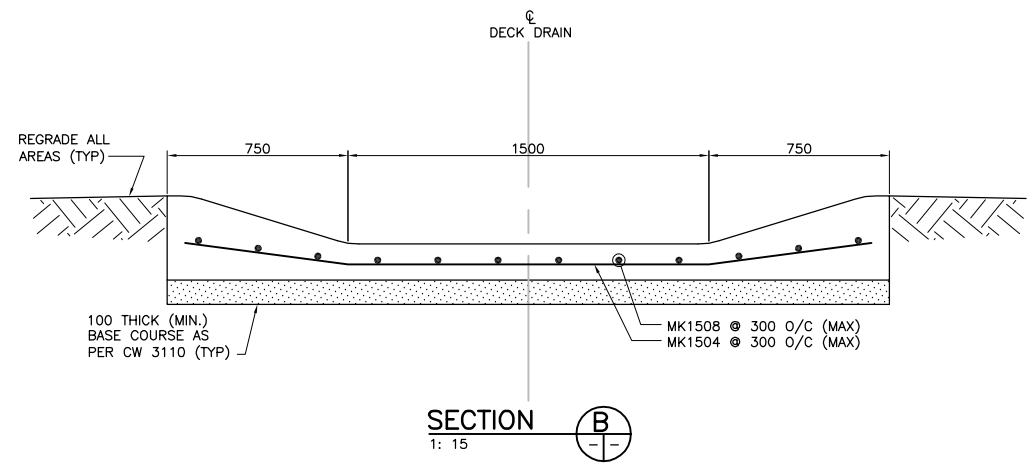
**CONCRETE DRAINAGE CHANNEL REINFORCING LAYOUT**  
1:100



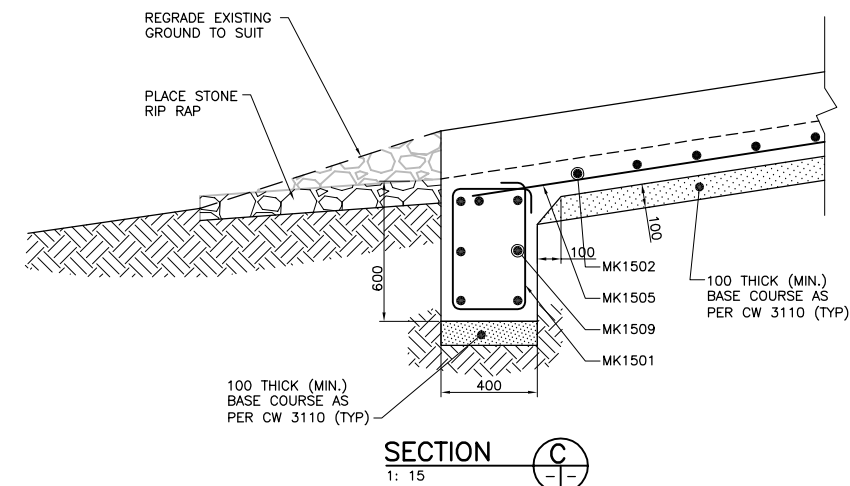
**BRIDGE DECK DRAIN EXTENSION DETAIL**  
1:15



**SECTION A**  
1:15



**SECTION B**  
1:15



**SECTION C**  
1:15

REINFORCING STEEL SCHEDULE					
MARK	NO. BARS	SIZE	LENGTH	SHAPE	MASS
1501	29	15M	1800		81.95
1502	74	15M	1355		157.42
1504	28	15M	2860		125.73
1505	12	15M	5500	—	103.62
1506	12	15M	10970	—	206.68
1507	10	15M	3090	—	48.51
1508	56	15M	2850	—	250.57
1509	6	15M	8335	—	78.52
1510	22	15M	600	—	37.68
TOTAL MASS =					1405.6 kg.

B.M. ELEV. NO. REVISIONS DATE BY	DESIGNED BY	DDW	 RELEASED FOR CONSTRUCTION ORIGINAL SIGNED BY B.A. NEIRINCK DATE JULY 29, 2009	 CONSULTANT PROJECT NO. 091645	 2009 BRIDGE MAINTENANCE REDWOOD BRIDGE OVER RED RIVER NEW CONCRETE SPLASH PADS AND DRAINAGE SYSTEM DETAILS	CITY DRAWING NUMBER B113-09-02 SHEET 6 OF 6 BID OPPORTUNITY 506-2009
	DRAWN BY	DDW				
	CHECKED BY	JSB				
	APPROVED BY					
0	ISSUED FOR TENDER	07/29/09	JSB			

**APEGM**  
Certificate of Authorization  
Dillon Consulting Limited (MB)  
No. 1789 Date: JULY 29, 2009