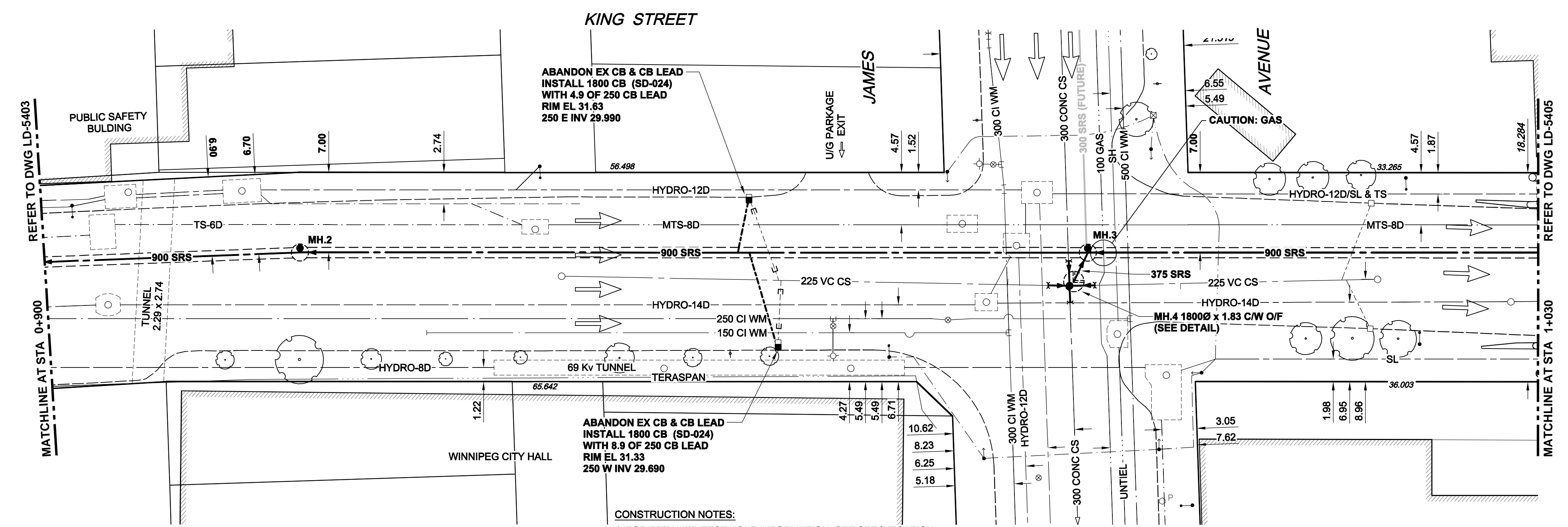
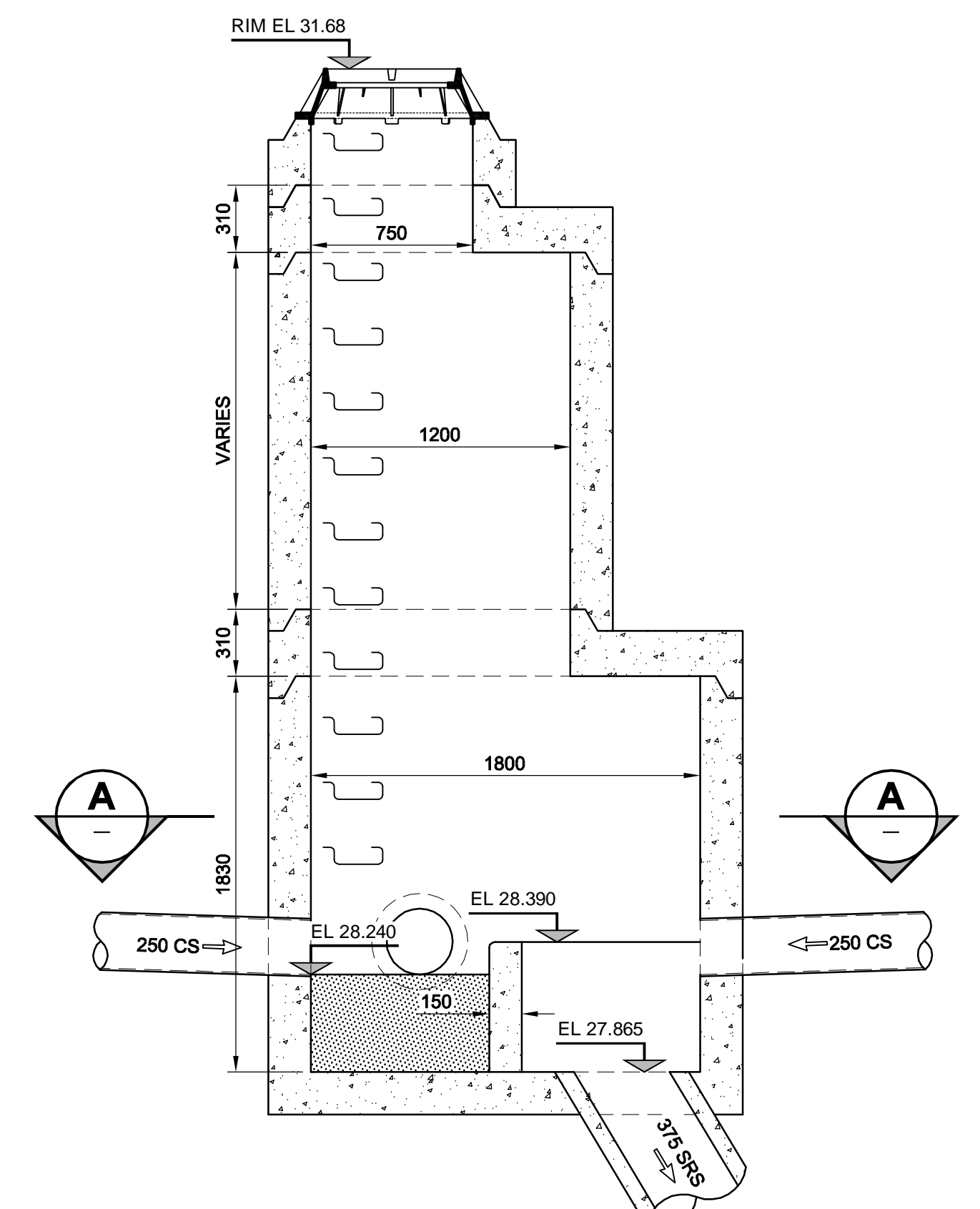
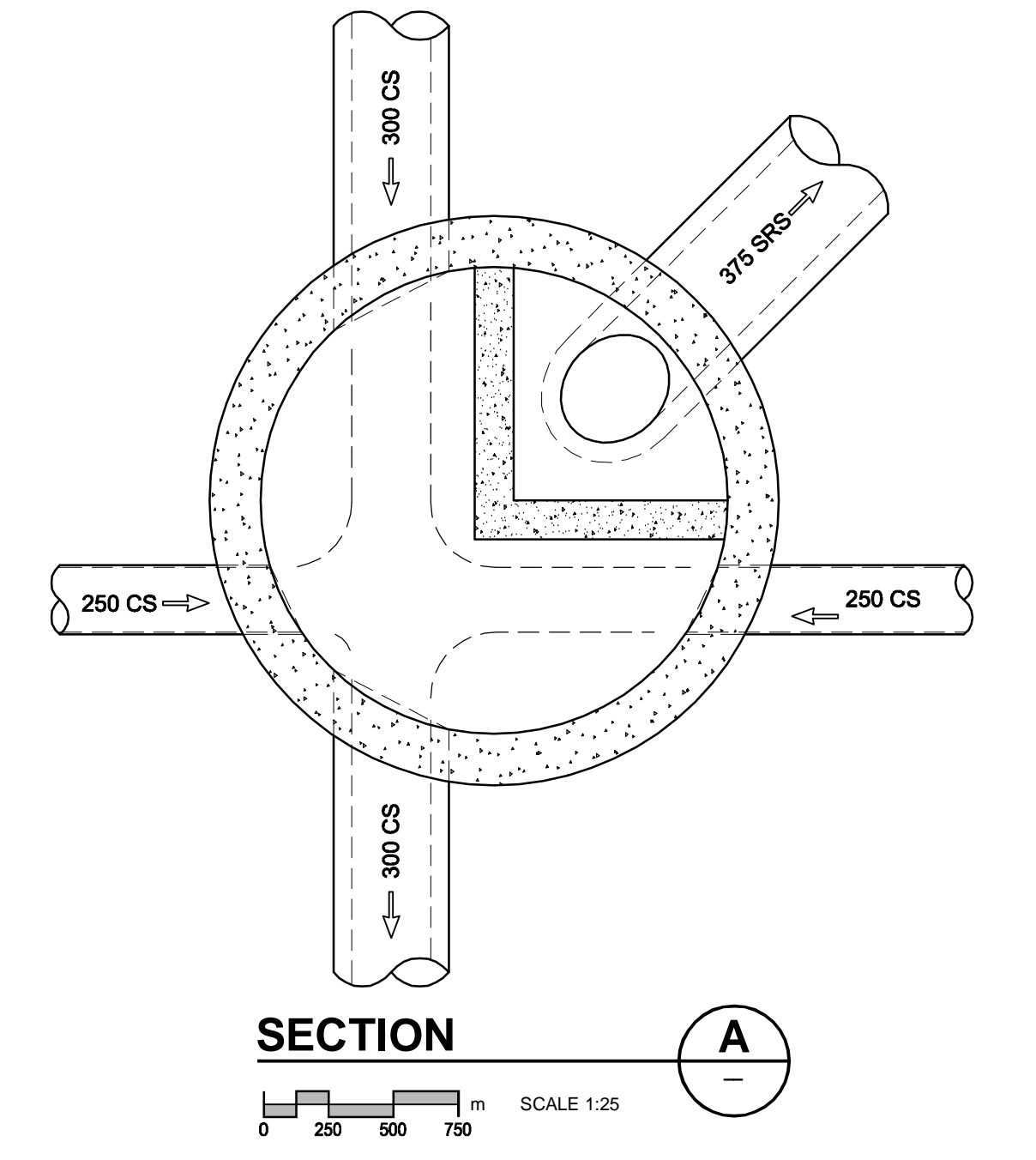
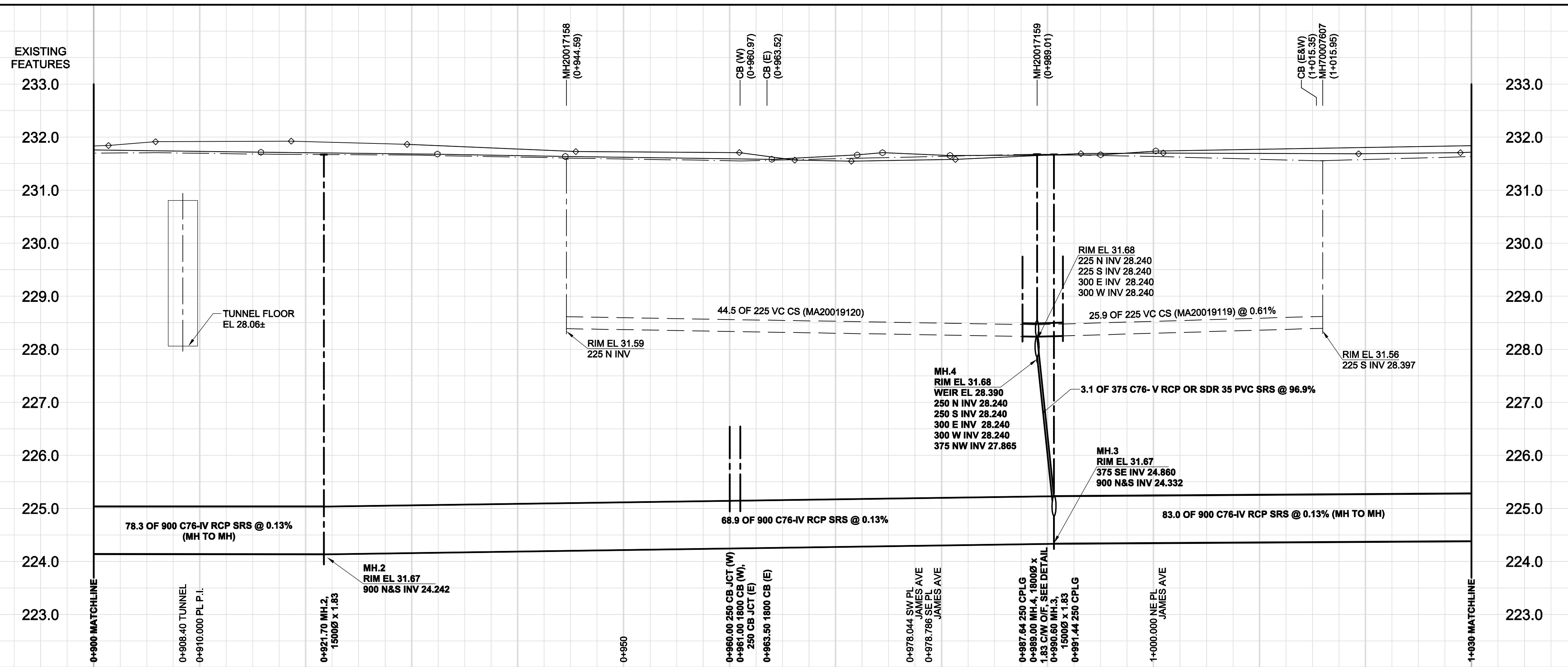


D SIZE 22" x 34" (559mm x 864mm)

PLOT: 09/07/07 1:58:26 PM

AECOM REVIEW DRFT CHK ADL
AECOM FILE NAME: D265-177-05_01-C-1002_RX.dwg Saved By: [illegible]



WARNING
IF POWER EQUIPMENT OR EXPLOSIVES ARE TO BE USED FOR EXCAVATION ON THIS PROJECT, THE CONTRACTOR MUST:
1) NOTIFY THE GAS COMPANY OF THE PROPOSED LOCATION OF EXCAVATION.
2) TAKE PRECAUTION TO AVOID DAMAGE TO GAS COMPANY INSTALLATIONS.
SEE PROVINCIAL REGULATION 140/92 FOR DETAILS

150 WM	WATERMAIN	150 WM	150 WM	CURB STOP	150 WM	WATERMAIN	150 WM	LOCATION APPROVED
⊕	HYDRANT	⊕	⊕	REDUCER	⊕	HYDRANT	⊕	UNDERGROUND STRUCTURES
⊕	VALVE	⊕	⊕	COUPLING	⊕	VALVE	⊕	
⊕	LAND DRAINAGE SEWER	⊕	⊕	ANODE	⊕	LAND DRAINAGE SEWER	⊕	SUPR. U/G STRUCTURES DATE COMMITTEE
⊕	WASTE WATER SEWER	⊕	⊕	HYDRO	⊕	WASTE WATER SEWER	⊕	NOTE: LOCATION OF UNDERGROUND STRUCTURES AS SHOWN ARE BASED ON THE BEST INFORMATION AVAILABLE. BUT NO GUARANTEE IS GIVEN THAT ALL EXISTING UTILITIES ARE SHOWN OR THAT THE GIVEN LOCATIONS ARE EXACT. CONFIRMATION OF EXISTENCE AND EXACT LOCATION OF ALL SERVICES MUST BE OBTAINED FROM THE INDIVIDUAL UTILITIES BEFORE PROCEEDING WITH CONSTRUCTION.
⊕	MANHOLE	⊕	⊕	MTS	⊕	PAVEMENT CROWN	⊕	
⊕	CATCH BASIN	⊕	⊕	GAS	⊕	N/W PROPERTY LINE	⊕	
⊕	CURB INLET	⊕	⊕	TESTHOLE	⊕	S/E PROPERTY LINE	⊕	
⊕	CULVERT	⊕	⊕	LAMP STANDARD	⊕	N/W GUTTER	⊕	
⊕	PIPE ABANDONMENTS	⊕	⊕	TREE	⊕	S/E GUTTER	⊕	
⊕	SURVEY BAR	⊕	⊕		⊕		⊕	
⊕	EXISTING	⊕	⊕	LEGEND - PLAN	⊕	LEGEND - PROFILE	⊕	
⊕	NEW	⊕	⊕		⊕		⊕	

NO.	ISSUED FOR CONSTRUCTION	DATE	BY
0	ISSUED FOR CONSTRUCTION	09/07/06	KMB
	REVISIONS	YYMMDD	BY

DESIGNED BY	GEB	CHECKED BY	FMI
DRAWN BY	KMB	APPROVED BY	BTW
HOR. SCALE	1:250	RELEASED FOR CONSTRUCTION	C. Boulet
VERT. SCALE	1:50	DATE	July 7, 2009
DATE	July 7, 2009		

APEGM
Certificate of Authorization
AECOM Canada Ltd.
No. 4671 Date: July 7, 2009

PROFESSIONAL'S SEAL
ISSUE / REVISION 0
ISSUED FOR CONSTRUCTION
WAS SEALED BY
A. NAGY
AND DATED
July 7, 2009

THE CITY OF WINNIPEG
WATER AND WASTE DEPARTMENT

ALEXANDER/BANNATYNE
COMBINED SEWER RELIEF
CONTRACT 5
KING STREET
MATCHLINE 0+900
TO MATCHLINE 1+030

SHEET 2 OF 20
CITY DRAWING NUMBER
LD-5404

BID OPPORTUNITY NO. 499-2009